



I-8050W

16-channel Universal Digital I/O Module

Features

- 16-channel Digital Input or Digital Output
- Photocouple-isolation protection
- ± 4 kV ESD Protection
- 3750 Vrms Intra-module Isolation
- Wide Operating Temperature Range: $-25 \sim +75$ °C



Introduction

I-8050W offers 16 channels for Digital Input and 16 channels for Digital Output. Each of which features Photocouple-isolation. I-8050W supports Sink Type Output with short-circuits protection. There are option for power on value and safe value for your consideration. All channels have ± 4 kV ESD protection and 3750 Vrms intra-module isolation are standard.

Applications

- Industrial Automation
- Industrial Machinery
- Building Automation
- Food and Beverage Systems
- Semiconductor Fabrication
- Control Systems

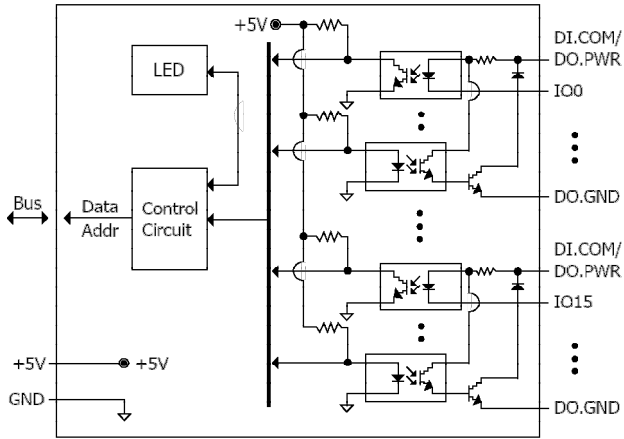
System Specifications

LED Indicators/Display	
System LED Indictors	1 LED as Power/Communication Indicator
I/O LED Indicator	16 LEDs as Digital Input & Digital Output Indicators
Isolation	
Intra-module Isolation, Field-to-Logic	3750 Vrms
EMS Protection	
ESD (IEC 61000-4-2)	± 4 kV Contact for Each Terminal
Power	
Power Consumption	1 W max.
Mechanical	
Dimensions (W x L x H)	30 mm x 102 mm x 115 mm
Environment	
Operating Temperature	$-25 \sim +75$ °C
Storage Temperature	$-40 \sim +85$ °C
Humidity	10 ~ 90% RH, Non-condensing

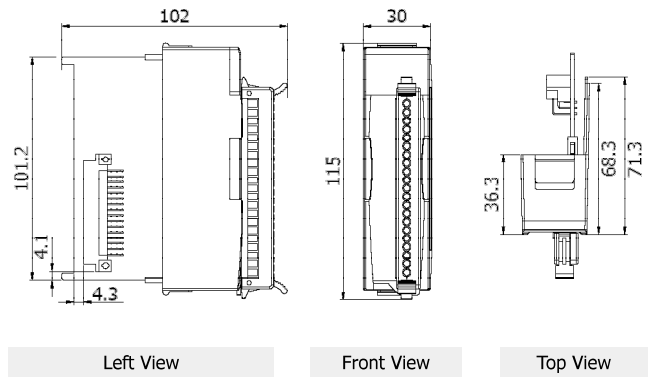
I/O Specifications

Digital Input	
Channels	16
Type	Wet Contact
Sink/Source	Sink
ON Voltage Level	+10 ~ +30 Vdc
OFF Voltage Level	+4 Vdc max.
Input Impedance	3 k Ω , 0.25W
Digital Output	
Channels	16
Type	Isolated Open Collector
Sink/Source	Sink
Load Voltage	+5 ~ +30 VDC
max. Load Current	100 mA/Channel
Overload Protection	Yes
Short Circuit Protection	-
Power-on Value	Yes
Safe Value	Yes

Internal I/O Structure



Dimensions (Units: mm)

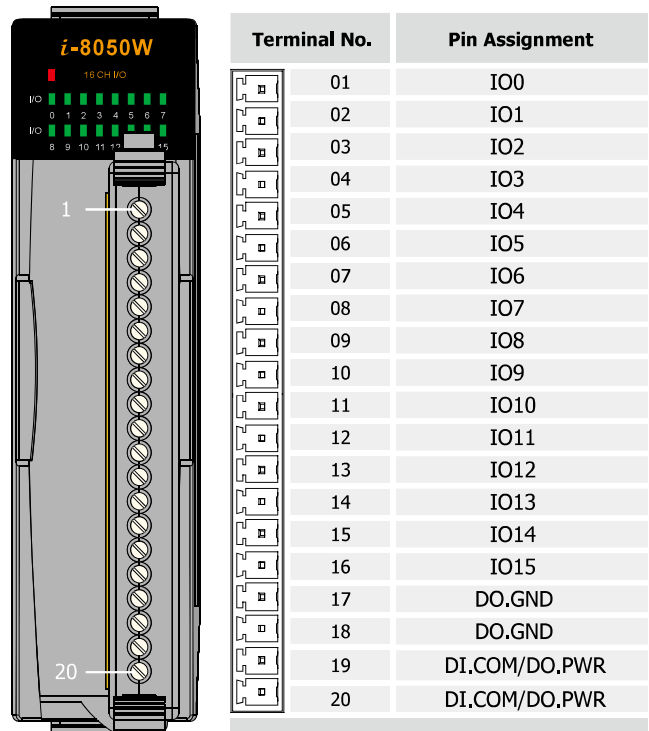


Wire Connections

Input Type	ON State LED ON Readback as 0	OFF State LED OFF Readback as 1
Relay Contact	Relay ON	Relay OFF
TTL/ CMOS Logic	Voltage > 10V	Voltage < 4V
NPN Output	Open Collector ON	Open Collector OFF
PNP Output	Open Collector ON	Open Collector OFF

Output Type	ON State LED ON Readback as 1	OFF State LED OFF Readback as 0
Drive Relay	Relay ON	Relay OFF
Resistance Load		

Pin Assignments



Ordering Information

I-8050W-G CR	16-channel Universal Digital I/O Module (Gray Cover) (RoHS)
---------------------	-------------------------------------------------------------