



I-8041W I-8041PW I-8041AW

32-channel Isolated Digital Output Module

Introduction

The I-8041W/I-8041PW/I-8041AW module offers 32 Digital Output channels, each of which features Photocouple isolation. The I-8041W/I-8041PW supports Sink Type Output using an open collector and I-8041AW supports Source Type Output with short circuit protection. The I-8041W/I-8041PW/I-8041AW includes 32 LED indicators that can be used to monitor the status of the Digital Output channels. ± 4 kV ESD protection and 3750 V_{rms} intra-module isolation is provided as standard. The I-8041W/I-8041PW/I-8041AW can be paired with a daughterboard, such as the DN-37-381-A CR for easy wiring, or the DN-8K32R for Relay Output. The I-8041PW integrates over-current, over-voltage and shortcircuit functionality. ICP DAS recommends selecting either the "PW" version of the digital output module for industrial use. ICP DAS offers a variety of options. ICP DAS recommends selecting either the "AW" version of the Digital Output Module for industrial use.

System Specifications

Model	I-8041W	I-8041PW	I-8041AW
LED Indicators/Display			
System LED Indicator	1 LED as Power/Communication Indicator		
I/O LED Indicator	32 LEDs as Digital Input Indicators		
Isolation			
Intra-module Isolation, Field-to-Logic	3750 V _{rms}		
EMS Protection			
ESD (IEC 61000-4-2)	± 4 kV Contact for each Terminal		
Power			
Power Consumption	1.5 W max.		
Mechanical			
Dimensions (W x L x H)	30 mm x 85 mm x 114 mm		
Environment			
Operating Temperature	-25 ~ +75 °C		
Storage Temperature	-40 ~ +85 °C		
Humidity	10 ~ 90% RH, Non-condensing		

Features

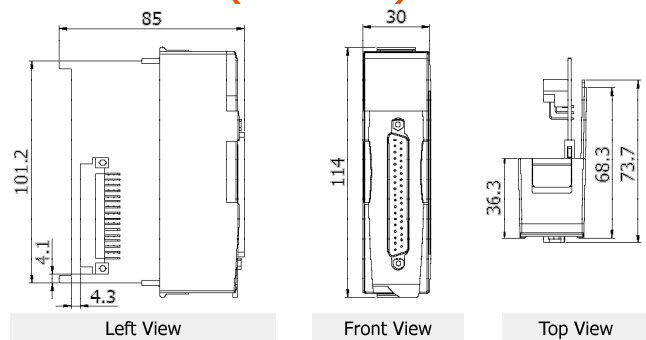
- 32-channel Open Collector Output
- Sink Type Digital Output of I-8041W/I-8041PW
- Short circuit protection, Overvoltage Protection and Overload Protection for I-8041PW
- 3750 V_{rms} Intra-module Isolation
- Each Digital channel has its own status LED
- Optional Daughterboards
- Source Type Digital Output of I-8041AW



Applications

- 32-Channel Open Collector Output
- Sink Type Digital Output
- Short circuit protection, Overvoltage Protection and Overload Protection for I-8041PW
- 3750 V_{rms} Intra-module Isolation
- Each Digital channel has its own status LED
- Optional Daughterboards

Dimensions (Units: mm)

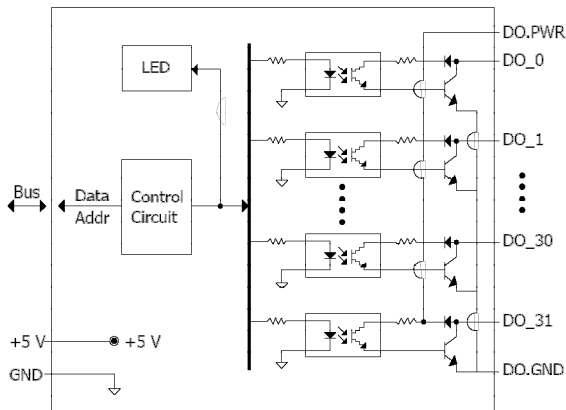


I/O Specifications

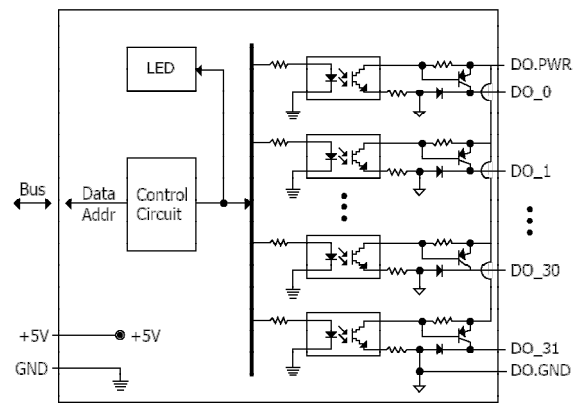
Model	I-8041W	I-8041PW	I-8041AW
Digital Output			
Channels	32		
Type	Isolated Open Collector		
Sink/Source (NPN/PNP)	Sink		Source
Load Voltage	+5 ~ +30 VDC	+10 ~ +50 VDC	+5 ~ +30 VDC
max. Load Current	100 mA/Channel		
Overvoltage Protection	-	60 VDC	-
Overload Protection	-	1.1 A	-
Short-circuit Protection	-	Yes	-

Internal I/O Structure

I-8041W/I-8041PW



I-8041AW



Wire Connections

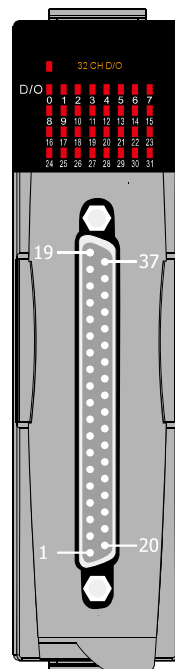
I-8041W/I-8041PW

Output Type	ON State LED ON Readback as 1	OFF State LED OFF Readback as 0
	Relay ON	Relay OFF
Drive Relay		
Resistance Load		

I-8041AW

Output Type	ON State LED ON Readback as 1	OFF State LED OFF Readback as 0
	Relay ON	Relay OFF
Drive Relay		
Resistance Load		

Pin Assignments



Pin Assignment	Terminal	No.	Pin Assignment
DO.PWR	19	37	DO.PWR
DO.GND	18	36	DO.GND
DO.GND	17	35	DO_31
DO_15	16	34	DO_30
DO_14	15	33	DO_29
DO_13	14	32	DO_28
DO_12	13	31	DO_27
DO_11	12	30	DO_26
DO_10	11	29	DO_25
DO_9	10	28	DO_24
DO_8	09	27	DO_23
DO_7	08	26	DO_22
DO_6	07	25	DO_21
DO_5	06	24	DO_20
DO_4	05	23	DO_19
DO_3	04	22	DO_18
DO_2	03	21	DO_17
DO_1	02	20	DO_16
DO_0	01		

37-pin Male D-Sub Connector

Ordering Information

I-8041W-G CR	32-channel Isolated Digital Output Module (Gray Cover) (RoHS)
I-8041PW-G CR	32-channel Isolated Self Protected Digital Output Module (Gray Cover) (RoHS)
I-8041AW-G CR	32-channel Isolated Digital Output Module (Gray Cover) (RoHS)

Accessories

I-8041W/I-8041PW/I-8041AW

DN-8K32R	32-channel relay output board Include: CA- 3705A (37 Pin Male-Female D-Sub cable 0.5 m)
DN-37-A CR	I/O Connector Block with DIN-Rail Mounting and 37-pin D-Sub Connector (pitch: 5.08 mm) Include: CA-3705A (37 Pin Male-Female D-Sub cable 0.5 m)
DN-37-381-A CR	I/O Connector Block with DIN-Rail Mounting and 37-pin D-Sub Connector (pitch: 3.81 mm) Include: CA- 3705A (37 Pin Male-Female D-Sub cable 0.5 m)

I-8041W/I-8041PW

CA-3710AM	DN-37 Male-Female D-Sub cable 1M (Moding) Cable for Daughter Board (45°)
CA-3720AM	DN-37 Male-Female D-Sub cable 2M (Moding) Cable for Daughter Board (45°)
CA-3730AM	DN-37 Male-Female D-Sub cable 3M (Moding) Cable for Daughter Board (45°)
CA-3750AM	DN-37 Male-Female D-Sub cable 5M (Moding) Cable for Daughter Board (45°)
CA-37100AM	DN-37 Male-Female D-Sub cable 10M (Moding) Cable for Daughter Board (45°)

I-8041AW

CA-3705A	Male-Female D-Sub cable 0,5 M	CA-3710A	Male-Female D-Sub cable 1M	CA-3715A	Male-Female D-Sub cable 1,5 M
----------	-------------------------------	----------	----------------------------	----------	-------------------------------