

Features

- 4-channel Voltage or Current Output
- Individual Channel Configuration
- ± 4 kV ESD Protection
- 3000 VDC Intra-module Isolation
- Wide Operating Temperature Range: -25 to +75°C

Introduction

The I-8024W is a 14-bit analog output module, which offers 4 single-ended analog output channels. Each channel can be programmed to an individual output range of ± 10 V or $0 \sim +20$ mA.

The I-8024W provides RF immunity level matching that defined by IEC 61000-4-3 standard, together with 4 kV ESD protection as well as 3000 VDC intra-module isolation.

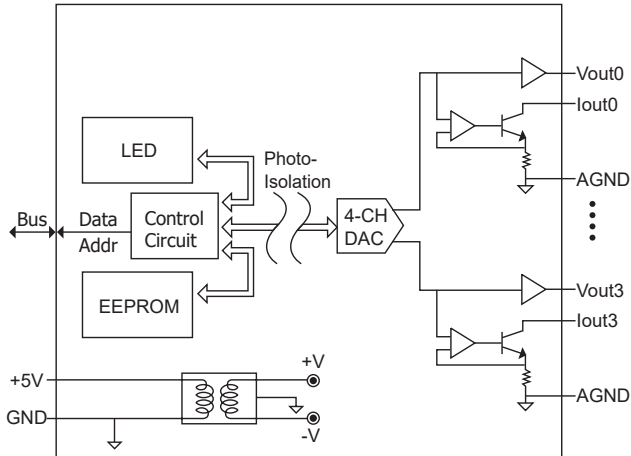
System Specifications

Model	I-8024W
LED Indicators/Display	
System LED Indicator	1 LED as Power Indicator
I/O LED Indicator	-
Isolation	
Intra-module Isolation, Field-to-Logic	3000 VDC
EMS Protection	
ESD (IEC 61000-4-2)	± 4 kV Contact for Each Terminal
Power	
Power Consumption	2 W Max.
Mechanical	
Dimensions (W x L x H)	30 mm x 102 mm x 115 mm
Environment	
Operating Temperature	-25 \sim +75°C
Storage Temperature	-30 \sim +80°C
Humidity	10 \sim 90% RH, Non-condensing

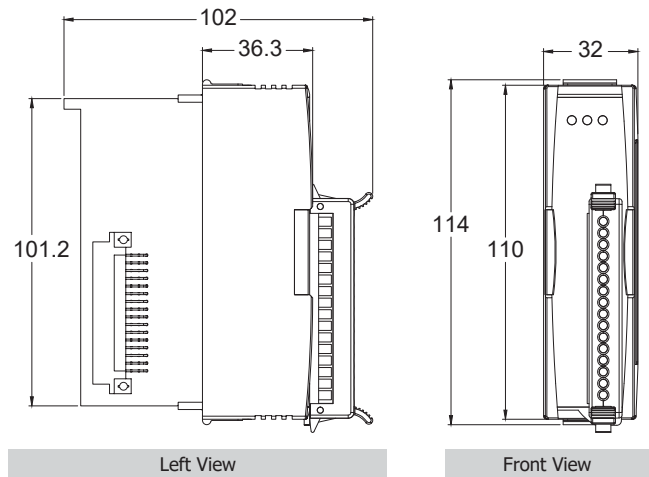
I/O Specifications

Model	I-8024W	
Analog Output		
Channels	4	
Current Output Wiring	Sink	
Range	± 10 V, $0 \sim +20$ mA	
Resolution	14 bits	
Accuracy	Voltage	$\pm 0.1\%$ of FSR
	Current	$\pm 0.2\%$ of FSR
Readback Accuracy	$\pm 1\%$ of FSR	
Zero Drift	Voltage	$\pm 30 \mu\text{V}/^\circ\text{C}$
	Current	$\pm 0.2 \mu\text{A}/^\circ\text{C}$
Span Drift	± 20 ppm/ $^\circ\text{C}$	
Voltage Output Capability	10 V @ 20 mA	
Max Current Load Resistance	External+24V: 1050 Ω	

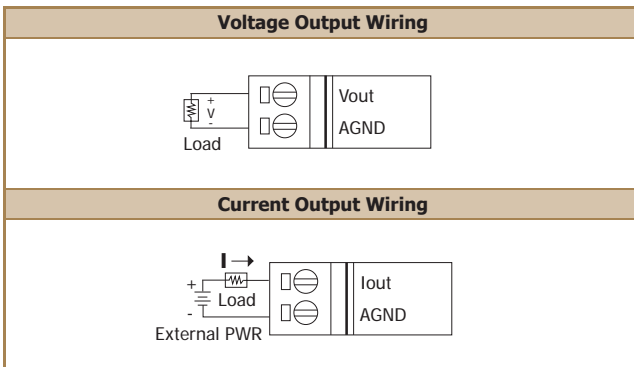
Internal I/O Structure



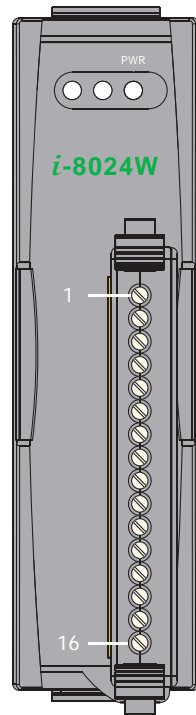
Dimensions (Units: mm)



Wire Connections



Pin Assignments



Terminal No.	Pin Assignment
01	Iout0
02	AGND
03	Iout1
04	AGND
05	Iout2
06	AGND
07	Iout3
08	AGND
09	Vout0
10	AGND
11	Vout1
12	AGND
13	Vout2
14	AGND
15	Vout3
16	AGND

Ordering Information

I-8024W-G CR	4-channel 14-bit Analog Output Module (Gray Cover) (RoHS)
---------------------	---