

Features

- 4-/8-channel Voltage or Current Output
- Individual Channel Configuration
- Short Circuit Protection
- Power-on Value
- Safe Value
- 4 kV ESD Protection
- 3000 VDC Intra-module Isolation
- Wide Operating Temperature Range: -25 to +75°C

Introduction

The I-8024UW and I-8028UW are source type analog output modules, offering 4 and 8 single-ended analog output channels. Each channel can be programmed to an individual output range of 0 ~ 5 V, ±5 V, 0 ~ 10 V, ±10 V, +4 ~ +20 mA or 0 ~ +20 mA.

Open wire detection is provided for +4 ~ +20 mA output. Options for configuring power-on and safe values are included, together with qualification for 4 kV ESD protection as well as 3000 VDC intra-module isolation.

Applications

- Data Acquisition System
- Process Monitoring and Control
- Vibration Analysis
- Factory Automation

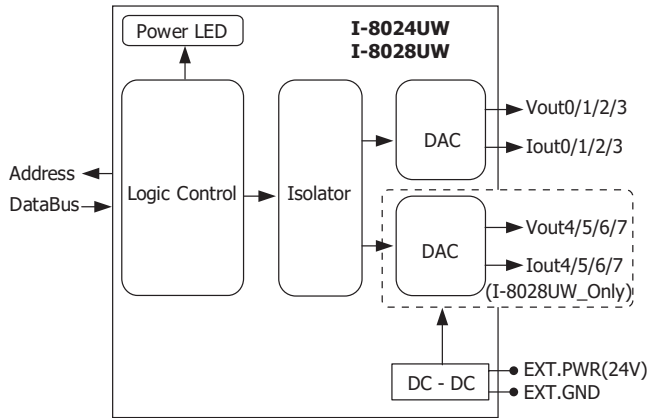
System Specifications

Model	I-8024UW	I-8028UW
LED Indicators/Display		
System LED Indicator	1 LED as Power Indicator	
I/O LED Indicator	-	
Isolation		
Intra-module Isolation, Field-to-Logic	3000 VDC	
EMS Protection		
ESD (IEC 61000-4-2)	±4 kV Contact for each Terminal	
Power		
Power Consumption	2 W Max.	
Mechanical		
Dimensions (L × W × H)	129 mm × 31 mm × 114 mm	
Environment		
Operating Temperature	-25 ~ +75°C	
Storage Temperature	-40 ~ +85°C	
Humidity	10 ~ 90% RH, Non-condensing	

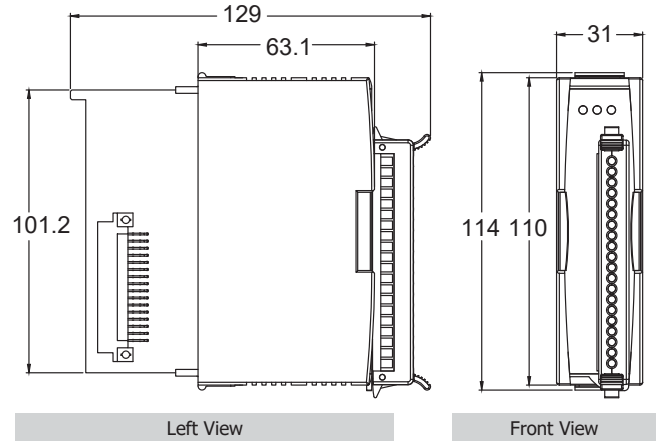
I/O Specifications

Model	I-8024UW	I-8028UW
Analog Output		
Channels	4	8
Current Output Wiring	Source	
Range	0 ~ +5 VDC, ±5 VDC, 0 ~ +10 VDC, ±10 VDC, 0 ~ +20 mA, +4 ~ +20 mA	
Resolution	16-bit	
Accuracy	±0.02% of FSR	
Zero Drift	±0.2 μV/°C	
Span Drift	±25 ppm/°C	
Short Circuit Protection	Yes	
Power-on Value	Yes	
Safe Value	Yes	
External Power Requirements		
Reverse Polarity Protection	Yes	
Powered from Terminal Block	Yes, 15 ~ 30 VDC	
Isolation	3000 VDC	

Internal I/O Structure



Dimensions (Units: mm)

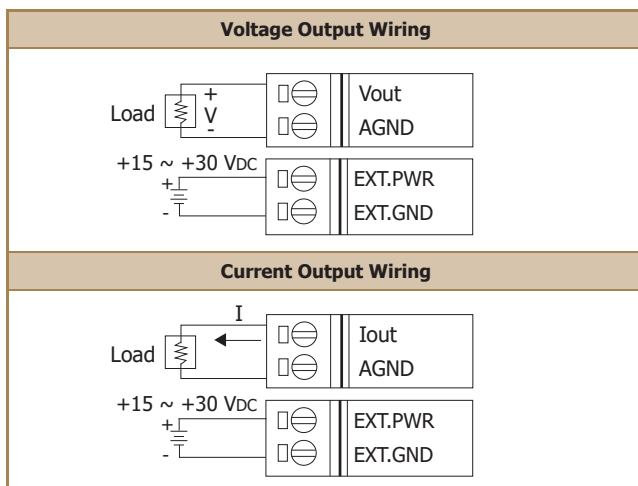


Pin Assignments

Terminal No.	Pin Assignment
01	Aout0
02	AGND
03	Aout1
04	AGND
05	Aout2
06	AGND
07	Aout3
08	AGND
09	N/A
10	N/A
11	N/A
12	N/A
13	N/A
14	N/A
15	N/A
16	N/A
17	N.C.
18	Ext.PWR
19	Ext.GND
20	F.G.

Terminal No.	Pin Assignment
01	Aout0
02	AGND
03	Aout1
04	AGND
05	Aout2
06	AGND
07	Aout3
08	AGND
09	Aout4
10	AGND
11	Aout5
12	AGND
13	Aout6
14	AGND
15	Aout7
16	AGND
17	N.C.
18	Ext.PWR
19	Ext.GND
20	F.G.


Wire Connections



Ordering Information

I-8024UW CR	4-channel Isolated Analog Output Module (RoHS)
I-8028UW CR	8-channel Isolated Analog Output Module (RoHS)

Accessories

 SG-770 CR	7-channel Differential or 14-channel Single-ended Surge Protector (RoHS)
--	--