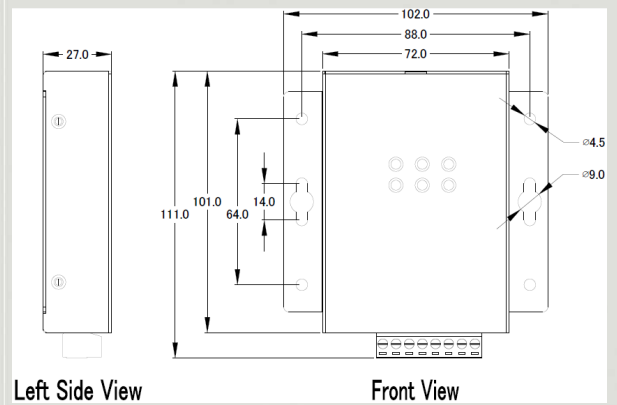




High Speed USB to CAN Bus Converter



I-7565M-HS



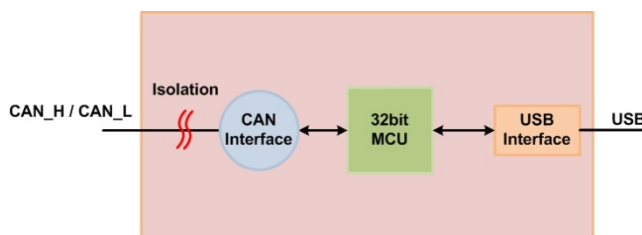
Dimensions

I-7565M-HS is a high speed USB to CAN converter with two CAN channels. It improves the transformation speed of other I-7565 series, and allows receiving max. 15000 standard 2.0A CAN frames per second. I-7565M-HS support CAN2.0A/2.0B protocol and different baud rates from 10 kbps to 1000 kbps. When connecting I-7565M-HS to PC, PC will load the relevant device driver automatically (hot plug & play). Therefore, users can make data collection and processing of CAN Bus network easier and quicker by applying I-7565M-HS. The application fields can be CAN Bus monitoring, building automation, remote data acquisition, environment control, etc.

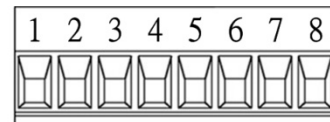
Features

- Compatible with USB 2.0 (High Speed)
- Compatible with the ISO 11898-2 standard
- Support both CAN2.0A and CAN2.0B specifications
- No external power supply (powered by USB)
- Programmable CAN Bus baud rate from 10kbps to 1000kbps
- Support CAN Bus message filter configuration
- Timestamp of CAN message with at least $\pm 10\mu s$ precision
- Provide PWR, CAN Tx/Rx and CAN status indication LEDs
- Built-in dip-switch to select 120 ohm terminal resistor for CAN Bus
- Support firmware update via USB
- Provide utility tool for users module setting and CAN Bus communication testing conveniently
- Provide API library for user program development

Block Diagram



Pin Assignments

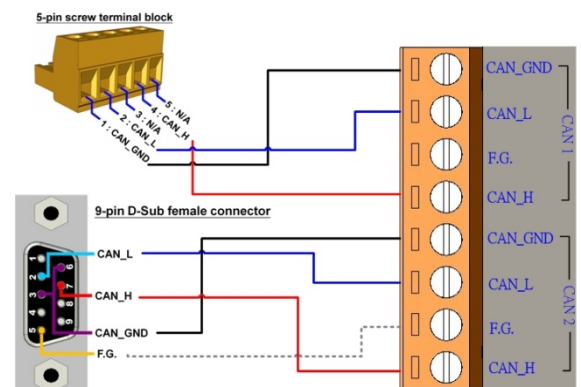


| Pin No | Name | Description |
|--------|---------|---------------------------------|
| 1 | CAN_GND | CAN ground of CAN1 port |
| 2 | CAN_L | CAN_Low bus line of CAN1 port. |
| 3 | F.G. | Frame Ground. |
| 4 | CAN_H | CAN_High bus line of CAN1 port. |
| 5 | CAN_GND | CAN ground of CAN2 port |
| 6 | CAN_L | CAN_Low bus line of CAN2 port. |
| 7 | F.G. | Frame Ground. |
| 8 | CAN_H | CAN_High bus line of CAN2 port. |

Wire Connection

Other CAN Devices

I-7565M-HS

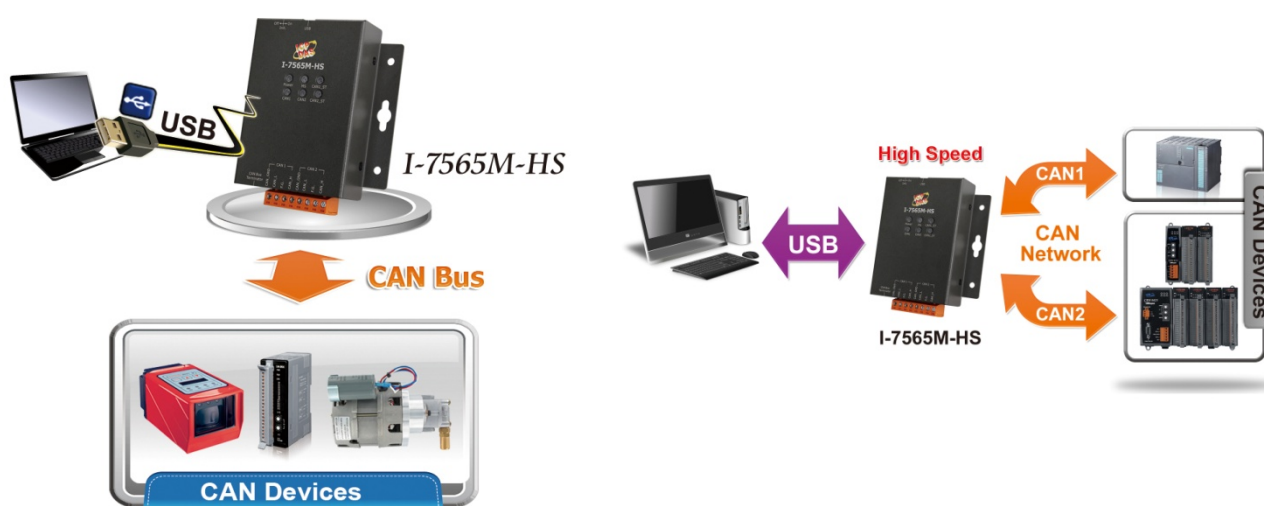




Hardware Specifications

| CAN Interface | |
|--------------------------|---|
| Transceiver | NXP TJA1042 |
| Channel Number | 2 |
| Connector | 8-pin terminal-block connector |
| Transmission Speed | 10 ~ 1000 kbps |
| Terminal Resistor | DIP switch for the 120 Ω terminal resistor |
| Isolation | 3000 VDC for DC-to-DC, 2500 Vrms for photocoupler |
| Specification | ISO-11898-2, CAN 2.0A and CAN 2.0B |
| CAN Filter Configuration | Selectable whitelist and blacklist CAN ID filter via Utility tool |
| Receive Buffer | 512 data frames |
| Max Data Flow | 15000 fps for Tx/Rx |
| USB Interface | |
| Connector | USB Type B x 1 |
| Compatibility | USB 2.0 High Speed |
| Software Driver | Built-in Windows 7/8/10 |
| LED | |
| Round LED | Power, MS, CAN1, CAN2, CAN1_ST, CAN2_ST LEDs |
| Power | |
| Power supply | USB power delivery |
| Power Consumption | 1.5 W (Max.) |
| Mechanism | |
| Installation | Wall Mount |
| Casing | Metal |
| Dimensions | 111.0 mm x 102.0 mm x 27.0 mm (W x L x H) |
| Environment | |
| Operating Temperature | -25 ~ 75 °C |
| Storage Temperature | -30 ~ 80 °C |
| Humidity | 10 ~ 90% RH, non-condensing |

Application



Ordering Information

| | |
|----------------------|---|
| I-7565M-HS CR | High Speed USB to 2-port CAN Bus Converter (RoHS) |
|----------------------|---|