

Features

- On the fly processing: EtherCAT
- Powerful MCU handles efficient network traffic
- 2 x RJ-45 bus interface
- Distance between stations up to 100 m (100 BASE-TX)
- Support daisy chain connection
- EtherCAT conformance test tool verified
- Removable terminal block connector
- LED indicators for the output status
- Built-In isolated 32-ch digital outputs
- RoHS compliant
- ESD Protection 4 kV Contact for each channel



Introduction

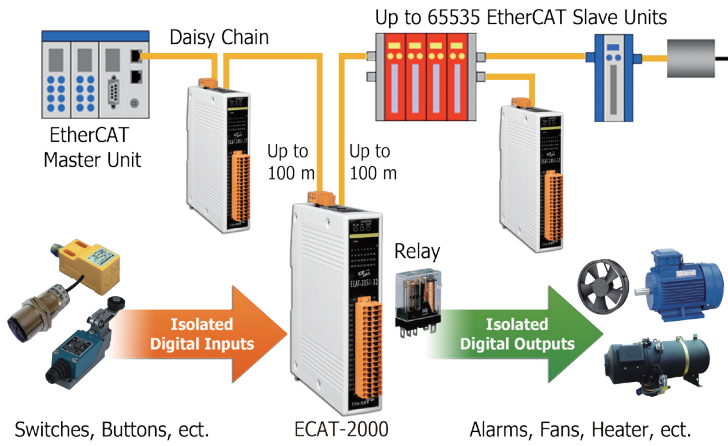
The ECAT-2045-32 is an industrial slave I/O module built in 32 digital outputs. It is equipped with the EtherCAT* protocol and installed by daisy chain connection that provides a more scalable system with fewer wires. Users can obtain the input and output status not only via the process data but also from its LED indicators. The ECAT-2045-32 has passed and verified by the conformance test tool, therefore eligible EtherCAT Master or configurator can manipulate it simply and implement your various applications easily.

* EtherCAT® is registered trademark and patented technology, licensed by Beckhoff Automation GmbH, Germany.

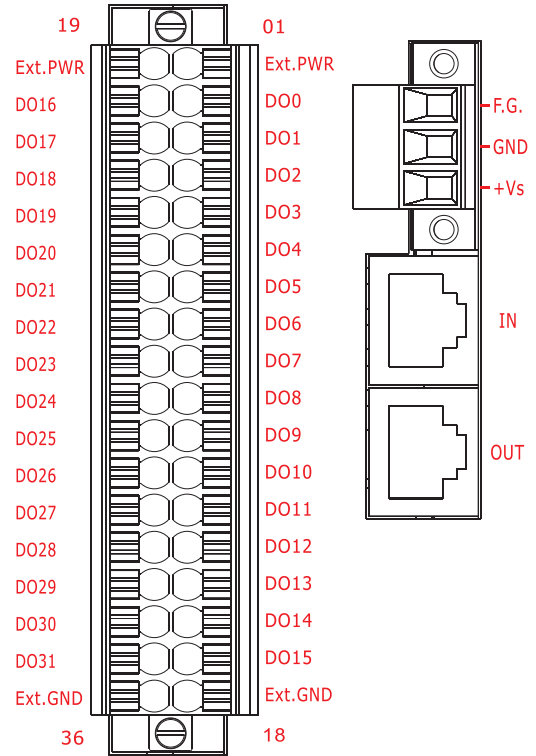
Hardware Specifications

| Model | ECAT-2045-32 |
|--------------------------------|--|
| Digital Output | |
| Channels | 32 |
| Output Type | Open Collector (Sink) |
| Load Voltage | 3.5 ~ 50 V |
| Max. Load Current | 500 mA per channel |
| Isolation Voltage | 3750 Vdc |
| Communication Interface | |
| Connector | 2 x RJ-45 |
| Protocol | EtherCAT |
| Distance between Stations | Max. 100 m (100 BASE-TX) |
| Data Transfer Medium | Ethernet/EtherCAT Cable (Min. CAT 5), Shielded |
| EMS Protection | |
| ESD (IEC 61000-4-2) | ±4 kV Contact for Each Terminal |
| EFT (IEC 61000-4-4) | Signal: 1 kV Class A; Power: 1 kV Class A |
| Surge (IEC 61000-4-5) | 1 kV Class A |
| Power | |
| Input Voltage Range | 10 ~ 30 Vdc |
| Power Consumption | 4 W Max. |
| Mechanical | |
| Dimensions (H x W x D) | 140 mm x 112.2 mm x 31 mm |
| Installation | DIN-Rail Mounting |
| Case Material | UL 94V-0 Housing |
| Environment | |
| Operating Temperature | -25 ~ +75°C |
| Storage Temperature | -30 ~ +80°C |
| Relative Humidity | 10 ~ 90% RH, Non-condensing |

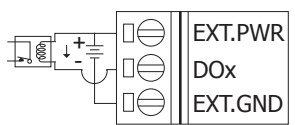
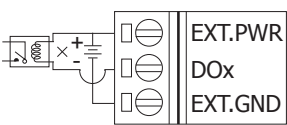
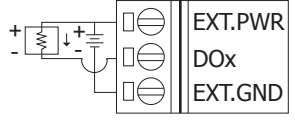
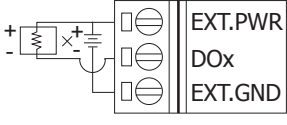
Applications



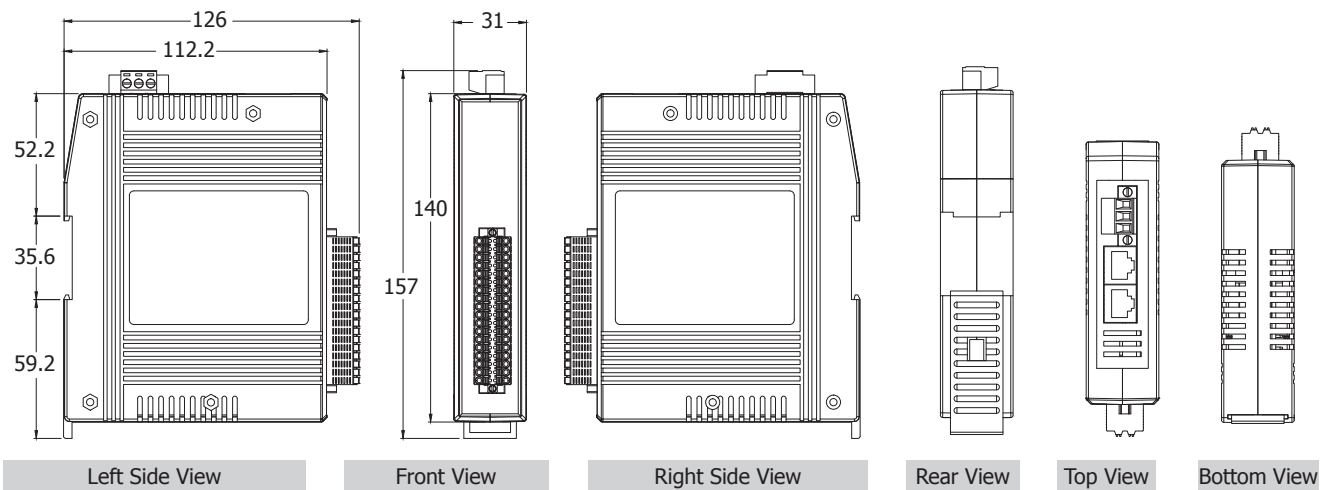
Pin Assignments



Wire Connections

| Output Type | ON State Readback as 1 | OFF State Readback as 0 |
|-----------------|---|---|
| Drive Relay |  |  |
| Resistance Load |  |  |

Dimensions (Units: mm)



Ordering Information

| | |
|------------------------|--|
| ECAT-2045-32 CR | EtherCAT Slave I/O Module with Isolated 32-ch Digital Outputs (RoHS) |
|------------------------|--|