



I-7063A

8-ch Isolated (Wet, 4~30 VDC) DI and 3-ch AC-SSR Output Module



I-7063AD



I-7065A

4-ch Isolated (Wet, 4~30 VDC) DI and 5-ch AC-SSR Output Module



I-7065AD

Features

- I-7063A(D)
 - 8 Digital Inputs and 3 AC SSR Outputs
- I-7065A(D)
 - 4 Digital Inputs and 5 AC SSR Outputs
- Sink- or Source-type Digital Input
- Form A AC Solid State Relay Output
- No Arcing, No Bounce, and No Switching Noise
- Digital Input Channels can be used as 16-bit Counters
- Configurable Power-on Value and Safe Value Settings
- Built-in Dual Watchdog



Introduction

The I-7063A module provides 8 digital input channels and 3 AC SSR(Solid State Relay) output channels, and the I-7065A provides 4 digital input channels and 5 AC SSR output channels. All digital input channels can be used as 16-bit counters. In addition, the digital input channels can be selected either as sink- or source-type via wire connections. In comparison to electromechanical relays, SSR technology provides a faster response time and greater electrical endurance. The integration of AC SSR technology also eliminates potential for arcing, bounce, and switching noise. The I-7063AD provides 11 LED indicators and the I-7065AD provides 9 LED indicators that can be used to monitor the status of the digital input and SSR output. There are also options for configuring power-on and safe values. 4 kV ESD protection and 3750 V_{dc} intra-module isolation are also provided to enhance noise protection capabilities in industrial environments.

System Specifications

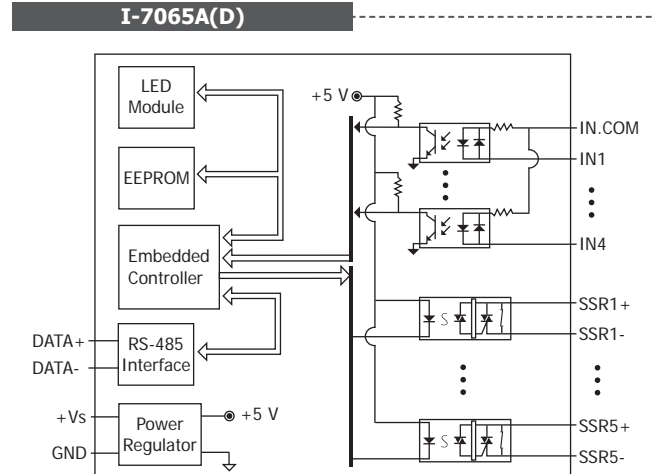
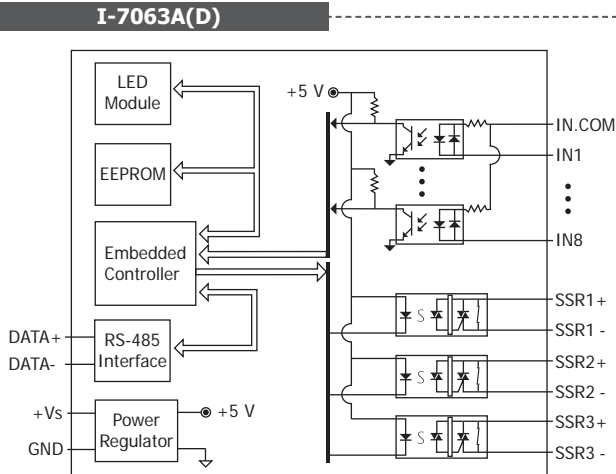
Model	7063A 7065A	7063AD	7065AD
CPU Module			
Watchdog Timer	Module, Communication (Programmable)		
Display			
Type	-	I/O LED Indicator	
Isolation			
Intra-module Isolation	3750 VDC		
EMS Protection			
EFT (IEC 61000-4-4)	±2 kV for Power Line		
ESD (IEC 61000-4-2)	±4 kV Contact for Each Terminal ±8 kV Air for Random Point		
LED Indicators			
Status	1 x Power and Communication		
	7063AD/65AD: DI/Relay Output		
	-	11	9
COM Ports			
Ports	1 x RS-485		
Baud Rate	1200 ~ 115200 bps		
Data Format	(N, 8, 1), (N, 8, 2), (E, 8, 1), (O, 8, 1)		
Protocol	DCON		
Power			
Reverse Polarity Protection	Yes		
Input Range	+10 ~ +30 VDC		
Consumption	0.5 W	1.0 W	
	0.6 W		
Mechanical			
Dimensions (mm)	72 x 123 x 35 (W x L x H)		
Installation	DIN-Rail Mounting		

I/O Specifications

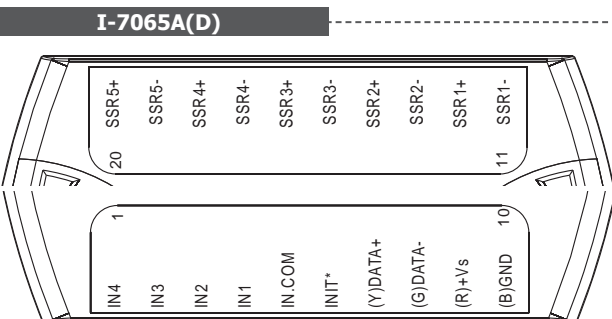
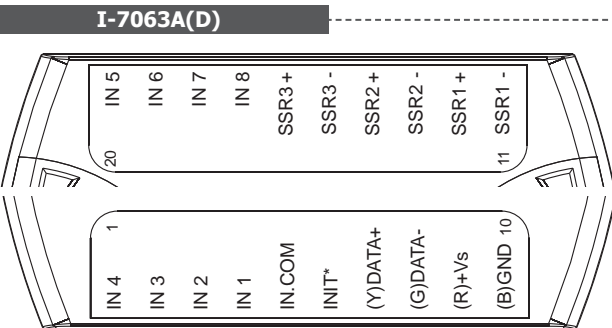
Model	I-7063A(D)	I-7065A(D)
Digital Input/Counter		
Channels	8	4
Type	Wet Contact	
Sink/Source (NPN/PNP)	Sink/Source	
ON Voltage Level	+1 VDC Max.	
OFF Voltage Level	+4 ~ +30 VDC	
Max. Counts	65535 (16-bit)	
Frequency	100 Hz	
Min. Pulse Width	5 ms	
Input Impedance	3 kΩ	
Overvoltage Protection	±35 VDC	
Relay Output		
Channels	3 (Form A)	5 (Form A)
Type	AC-SSR	
Contact Rating	24 ~ 265 VAC @ 1A	
Leakage Current	1.5 mA	
Operate Time	1/2 cycle + 1 ms	
Release Time	1/2 cycle + 1 ms	
Electrical Endurance	Long Life, No Arcing, No Bounce, No Switching Noise	
Power on Value	Programmable	
Safe Value	Programmable	

Environment	
Operating Temperature	-25 ~ +75°C
Storage Temperature	-40 ~ +85°C
Humidity	10 ~ 95% RH, Non-condensing

Internal I/O Structure



Pin Assignments



Wire Connections

DI/Counter	ON State Readback as 1	OFF State Readback as 0
Sink	OPEN or <1 VDC	+4 ~ +30 VDC
Source	OPEN or <1 VDC	+4 ~ +30 VDC

Output Type	ON State Readback as 1	OFF State Readback as 0
AC-SSR Output		

Ordering Information

I-7063A CR	8-ch Isolated (Wet, 4~30 VDC) DI and 3-ch AC-SSR Output Module using DCON Protocol (Blue Cover) (RoHS)
I-7063AD CR	8-ch Isolated (Wet, 4~30 VDC) DI and 3-ch AC-SSR Output Module with LED Display using DCON Protocol (Blue Cover) (RoHS)
I-7065A CR	4-ch Isolated (Wet, 4~30 VDC) DI and 5-ch AC-SSR Output Module using DCON Protocol (Blue Cover) (RoHS)
I-7065AD CR	4-ch Isolated (Wet, 4~30 VDC) DI and 5-ch AC-SSR Output Module with LED Display using DCON Protocol (Blue Cover) (RoHS)

Accessories

tM-7520U CR	Tiny Isolated RS-232 to RS-485 Converter (RoHS)
tM-7561 CR	Tiny USB to Isolated RS-485 Converter with CA-USB18 Cable (RoHS)
tM-SG4 CR	RS-485 Pull-high/Pull-low and Termination Resistor Module (RoHS)

I-7514U-G CR	Isolated 4-channel RS-485 Repeater/Hub/Splitter (Gray Cover) (RoHS)
SG-770 CR	7/14 channel Surge Protector (RoHS)
SG-3000 Series	Signal Conditioning Modules for Thermocouple, RTD, DC Voltage, DC Current and Power Input Transformers