



## EC4-AD8

EtherCAT SubDevice Slim Module with Isolated 16-bit, 8-ch Analog Inputs

### Features

- Interface: EtherCAT
- Removable terminal-block connector
- Built-in isolation design
- 16-bit, 8-channel differential analog inputs



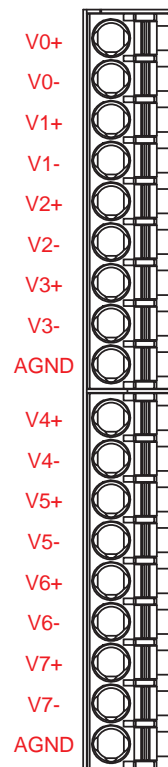
### Introduction

The EC4-AD8 is an industrial I/O module designed with a slim-type form factor, featuring isolated 16-bit, 8-channel analog inputs. It communicates over EtherCAT to deliver high scalability with fewer cables. Input data can be monitored via software. The module has passed conformance testing and works with a wide range of standard EtherCAT MainDevices for diverse applications.

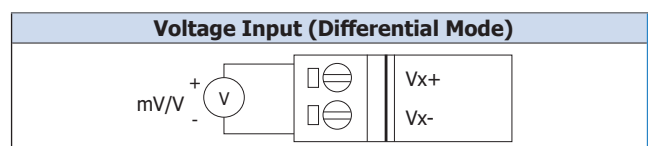
### Specifications

| EMS Protection                   |  |
|----------------------------------|--|
| ESD (IEC 61000-4-2)              | ±8KV (Air for Random Point)                            |
| Analog Input                     |  |
| Channels                         | 8 Differential   |
| Type                             | Voltage  |
| Range                            | 0~10V, ±10 V, ±5 V, ±2.5 V (Software selectable)       |
| Resolution                       | 16-bit   |
| Accuracy                         | 0.05% of FSR   |
| Sampling Rate                    | 1k Hz per channel                                      |
| Overvoltage Protection           | ±35 V <sub>DC</sub>                                    |
| Individual Channel Configuration | Yes (Range & Filter setting function is not supported) |
| Open Wire Detection              | No   |
| Isolation                        | 2500V <sub>DC</sub>                                    |
| EtherCAT                         |  |
| Cycle Time                       | 100 μs   |
| Distributed Clocks               | Yes  |
| Power                            |  |
| Input Range                      | +24 V <sub>DC</sub>                                    |
| Consumption                      | 1.5 W  |
| Mechanical                       |  |
| Casing                           | Plastic  |
| Dimensions (mm)                  | 17.5 x 108 x 73 (W x L x D) (excluding terminals)      |
| Installation                     | DIN-Rail or Wall Mounting                              |
| Environment                      |  |
| Operating Temperature            | -25 ~ +70°C  |
| Storage Temperature              | -30 ~ +80°C  |
| Humidity                         | 10 ~ 90% RH, Non-condensing                            |

### Pin Assignments



### Wire Connections



## Applications

# Create your own I/O module

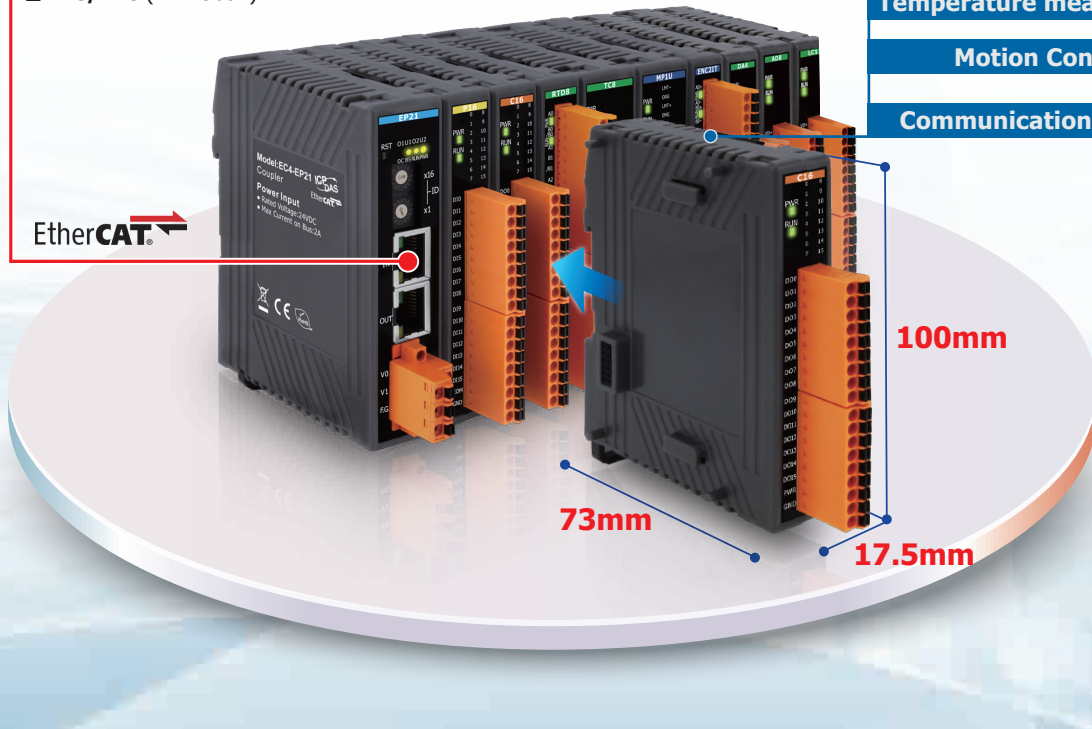
Maximize your I/O system and applications in limited space



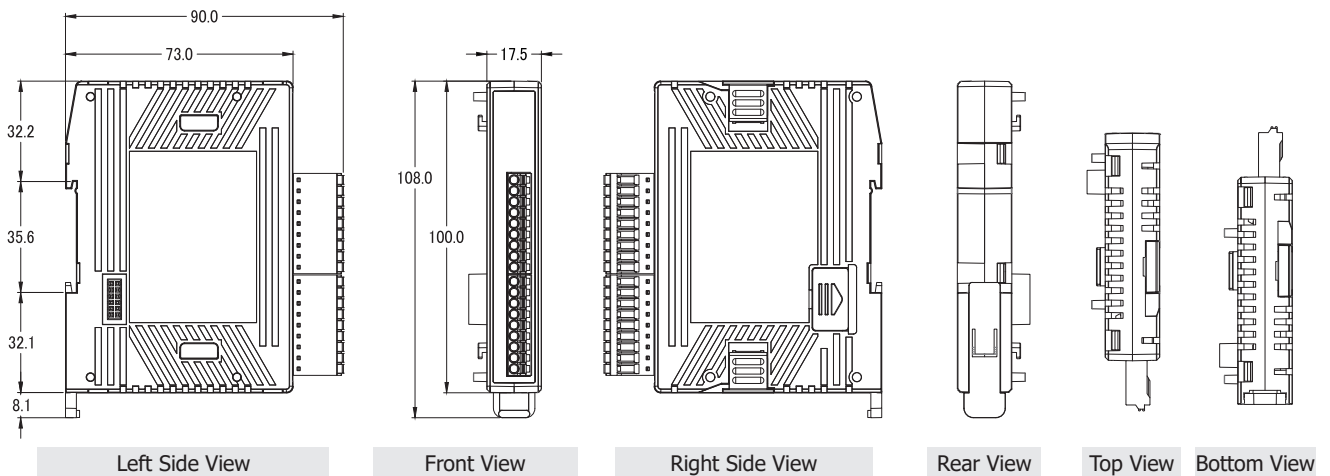
▲ PAC/PLC (EMP-905X)

EtherCAT

- Digital I/O
- Analog I/O
- Strain measurement
- Temperature measurement
- Motion Control
- Communication coupler



## Dimensions (Units: mm)



## Ordering Information

|                   |  |
|-------------------|--|
| <b>EC4-AD8 CR</b> | EtherCAT SubDevice Slim Module with Isolated 16-bit, 8-ch Analog Inputs (RoHS) |
|-------------------|--|