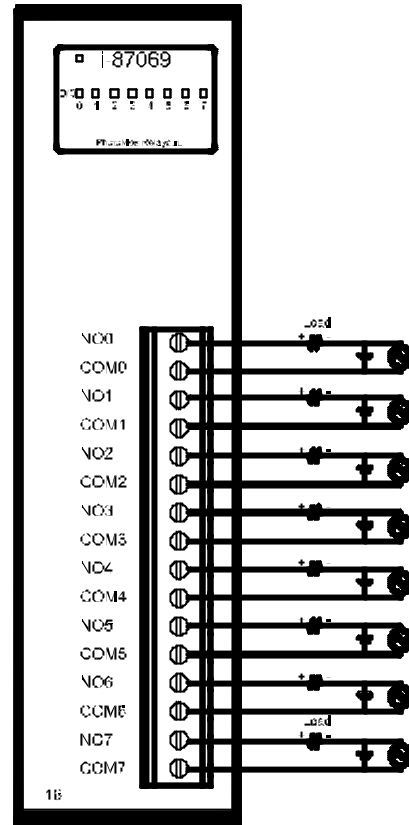


Specification

Relay Output Module

| | |
|--------------------------|---|
| Output Channel | 8 channels |
| Load Current | 0.13A |
| Load Voltage | 350V max AC/DC |
| Isolation | 5000Vrms |
| TurnOn Time | 0.7 ms type |
| TurnOff Time | 0.05 ms type |
| LED Display | 1 LED as Power indicator 8 LEDs as DO indicators |
| Power Consumption | Max. : 1.8W |

I-87069 Wire Connection



I-87069 Wire Connection Type

| Output Type | ON State LED ON Readback as 1 | OFF State LED OFF Readback as 0 |
|----------------------|-------------------------------------|---------------------------------------|
| Form A Relay Contact | | |

I-87069 Internal I/O Structure

