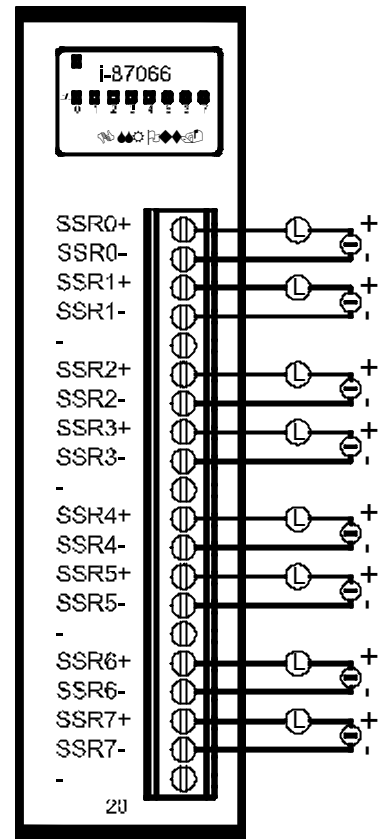


Specification

DC-SSR Output Module

Output Channel	8
DC-SSR Type	Normal Open
Load Voltage Rating	3 to 30 VDC
Off-state Leakage Current	0.1mA @ 30VDC max.
Load Current	1.0A max.
Operate Time	1mS max.
Release Time	1mS max.
Dielectric Strength	2500Vrms
LED Display	1 LED as Power indicator 8 LEDs as DO indicators
Power Consumption	Typical: 0.5W Max. : 0.7W



I-87066 Wire Connection Type

Output Type	ON State LED ON Readback as 1	OFF State LED OFF Readback as 0
DC-SSR Output		

I-87066 Internal I/O Structure

