



ET-2217

PET-2217

Ethernet I/O Module with 8/16-ch AI

Features

- Web Server for Configuration
- Support Modbus TCP/UDP, MQTT, and SNMP V2c Protocols
- 2-port Ethernet Switch (LAN Bypass) for Daisy-chain Wiring
- Supports Dual-watchdog
- I/O Pair Connection (Push and Pull)
- Built-in I/O
 - 8 Differential or 16 Single-ended AI

Introduction

(P)ET-2217 is an 8-channel differential or 16-channel single-ended analog input module. All analog input channels can be individually configured with input ranges including ± 150 mV, ± 500 mV, ± 1 V, ± 5 V, ± 10 V, $0 \sim 20$ mA, $4 \sim 20$ mA, and ± 20 mA. The module can be set as voltage or current inputs via the DIP switch, providing up to 120 VDC overvoltage protection, as well as 50 mA overcurrent protection at 110 VDC/VAC. The sampling rate of (P)ET-2217 can be set to either fast mode (200 Hz) or normal mode (20 Hz) for recording voltage and current values. The module provide EMS (EFT/ESD/Surge) protection and 3000 VDC I/O isolation to enhance noise protection capabilities in industrial environments.

System Specifications

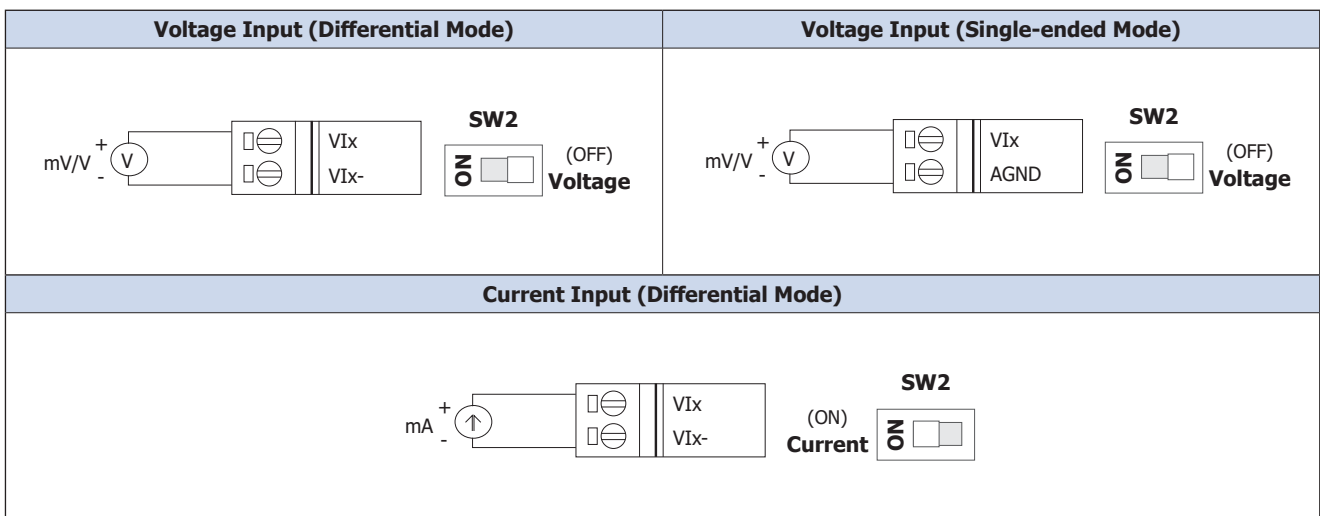
Model	ET-2217	PET-2217
Software		
Built-in Web Server	Yes	
CPU Module		
CPU	32-bit ARM	
Watchdog Timer	Module, Communication (Programmable)	
Isolation		
2-way Isolation	Ethernet: 1500 VDC, I/O: 3000 VDC	I/O: 3000 VDC
EMS Protection		
EFT (IEC 61000-4-4)	± 4 kV for Power Line	
ESD (IEC 61000-4-2)	± 4 kV Contact for Each Terminal ± 8 kV Air for Random Point	
Surge (IEC 61000-4-5)	± 2 kV for Power Line	
LED Indicators		
Status	Run, Ethernet	Run, Ethernet, PoE
Ethernet		
Ports	2 x RJ-45, 10/100 Base-Tx, Switch Ports	
PoE	-	Yes
LAN bypass	Yes	
Access Control	Password and IP Filter	
Protocol	Modbus TCP, Modbus UDP, MQTT, SNMP V2c	
Power		
Reverse Polarity Protection	Yes	
Consumption	3.3 W (max.)	3.5 W (max.)
Powered from PoE	-	IEEE 802.3af, Class1
Powered from Terminal Block	$+10 \sim +48$ VDC	
Mechanical		
Casing	Metal	
Dimensions (mm)	33 x 127 x 117 (W x L x H)	
Installation	DIN-Rail Mounting / Wall mounting (Optional ASO-0015)	
Environment		
Operating Temperature	$-25 \sim +75$ °C	
Storage Temperature	$-40 \sim +80$ °C	
Humidity	10 ~ 90% RH, Non-condensing	

I/O Specifications

Model	ET-2217		PET-2217	
Analog Input				
Channels	8 Differential or 16 Single-ended			
Type	Voltage, Current (Software selectable - see Note 1)			
Range	Voltage	±150 mV, ±500 mV, ±1 V, ±5 V, ±10 V		
	Current	±20 mA, 0 ~ +20 mA, +4 ~ +20 mA (DIP switch selectable)		
Resolution	16-bit			
Accuracy	±0.1% of FSR			
Sampling Rate	Normal Mode	20 Hz (total channels)		
	Fast Mode	200 Hz (total channels)		
Input Impedance	Voltage	2 MΩ (Differential), 1 MΩ (Single-ended)		
	Current	137 Ω (Differential)		
Common Voltage Protection	±200 VDC			
Overvoltage Protection	120 VDC			
Overcurrent Protection	50 mA at 110 VDC (max.)			
Individual Channel Configuration	Yes			

Note 1: Differential wiring can be used for both voltage input and current input. Single-ended wiring can only be used for voltage input.

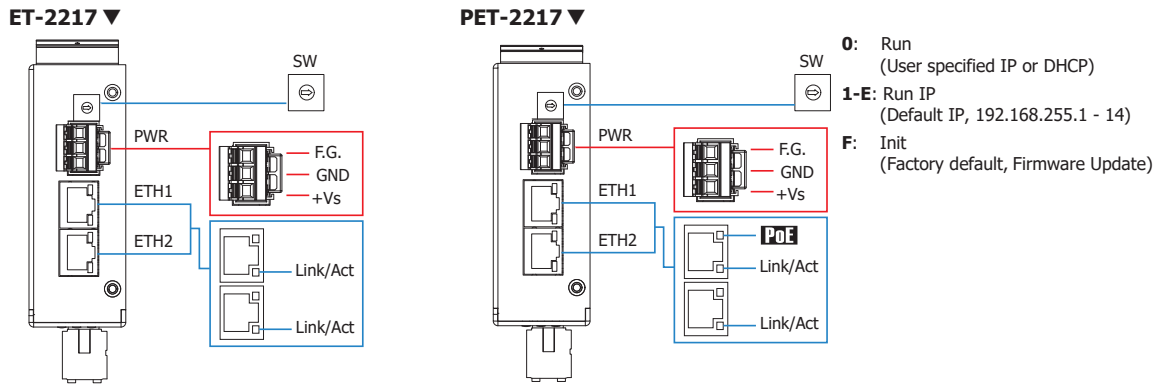
Wire Connections



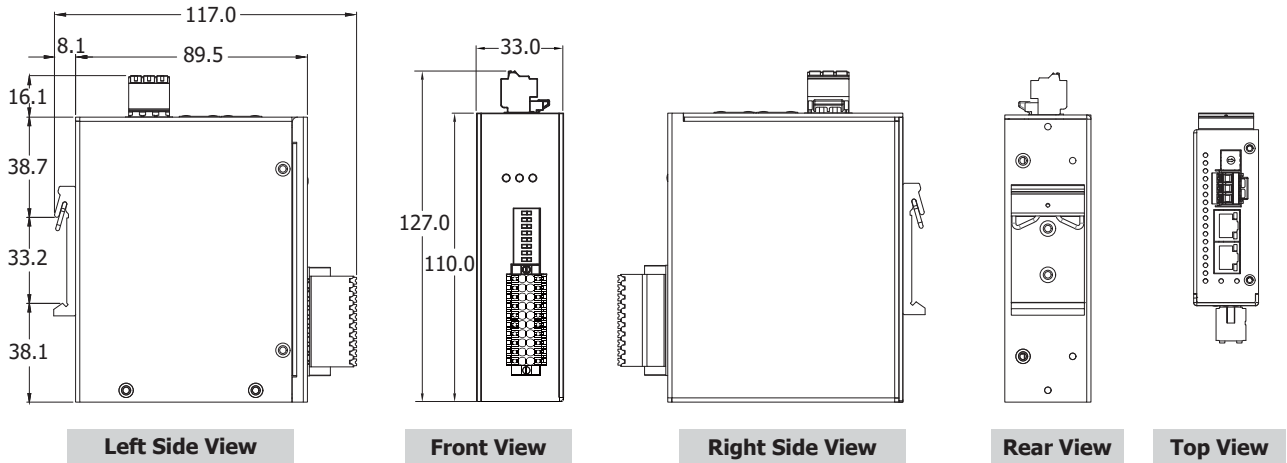
Pin Assignments

Port	Pin Assignment	Pin Assignment	SW2	Pin Assignment	Pin Assignment	Terminal No.	Pin Assignment	
SW1	0: Run						02	VI0-/VI8
	1-E: Run IP						04	VI1-/VI9
	F: Init						06	VI2-/VI10
PWR	F.G.	10	VI4-/VI12					
	GND	12	VI5-/VI13					
ETH1	+ Vs	14	VI6-/VI14					
		16	VI7-/VI15					
ETH2		18	AGND					
		20	AGND					
		20-pin Connector						

Appearance



Dimensions (Units: mm)



Ordering Information

ET-2217 CR	Ethernet I/O Module with 2-port Ethernet Switch, 8/16-ch AI (RoHS)
PET-2217 CR	PoE I/O Module with 2-port Ethernet Switch, 8/16-ch AI (RoHS)

Accessories

ASO-0015 CR	Wall Mount Kit (W: 28 mm) (RoHS)
--------------------	----------------------------------

