



GTP-541M Quick Start

What's In the Box!

In addition to this guide, the package includes the following items:



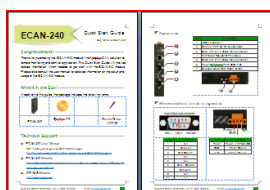
GTP-541M



CA-0910 Cable



2G/3G/4G Antenna



Quick Start



Screw Driver



GPS Antenna



DIN-RAIL 44MM *1



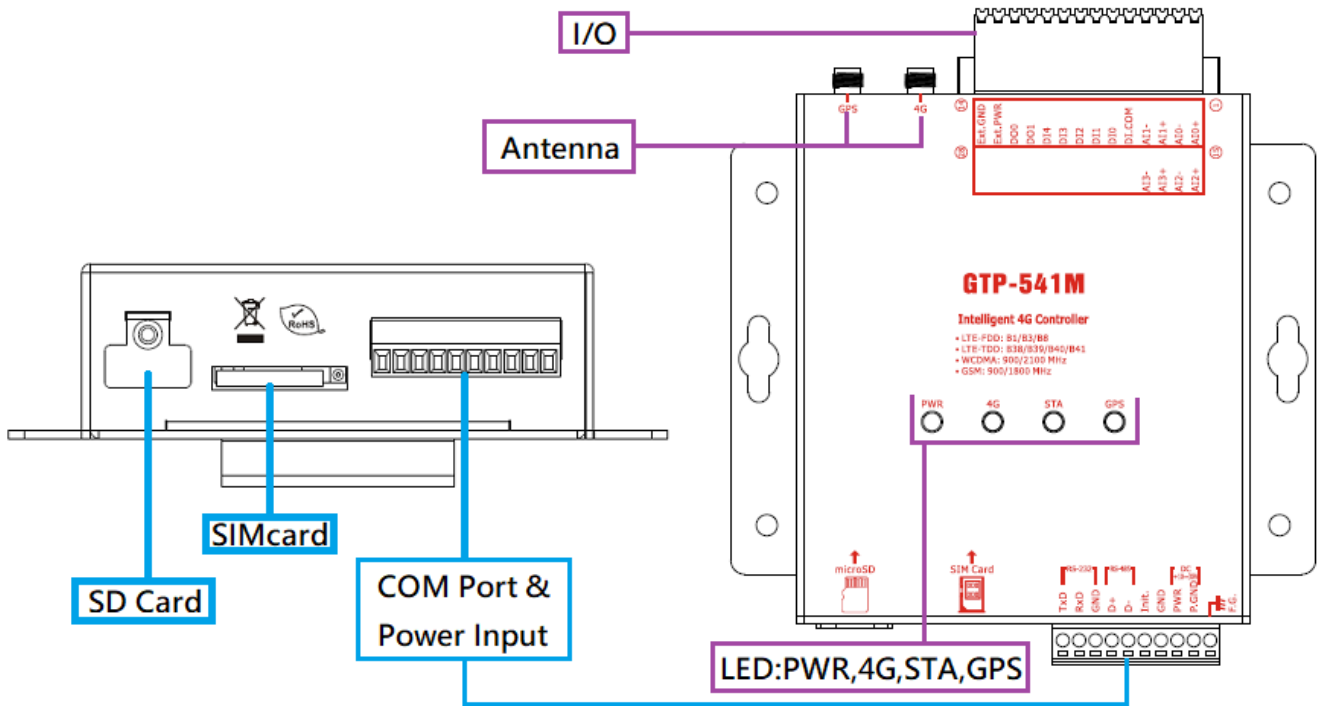
M3x6L *4

Related Documents and Software Utilities

Documents

- User Manual: GTP-541M_usermanual_EN.pdf
- Quick Start: GTP-541M_QuickStart.pdf
- <ftp://ftp.icpdas.com.tw/pub/cd/usbcd/napdos/gtp-541m/manual/>

➤ Appearance and Pin Assignments



COM Port & Power Input		
Terminal No.		Pin Assignment
Power	01	F.G.
	02	P.GND
	03	PWR
Initial	04	GND
	05	Init.
COM1 RS-485	06	D-
	07	D+
COM1 RS-232	08	GND
	09	RxD
	10	TxD

➤ LED indicators

- A. PWR(Red) : Power LED to indicate whether the external power is input or not. The description is as follows:

The external power is active	The external power is not active
on	off

- B. 4G(Green) : Reserve, now.

It is not available as a reference, now.

- C. STA(Orange) : This Led indicates the status of RMV/SMS Client.

SMS mode:

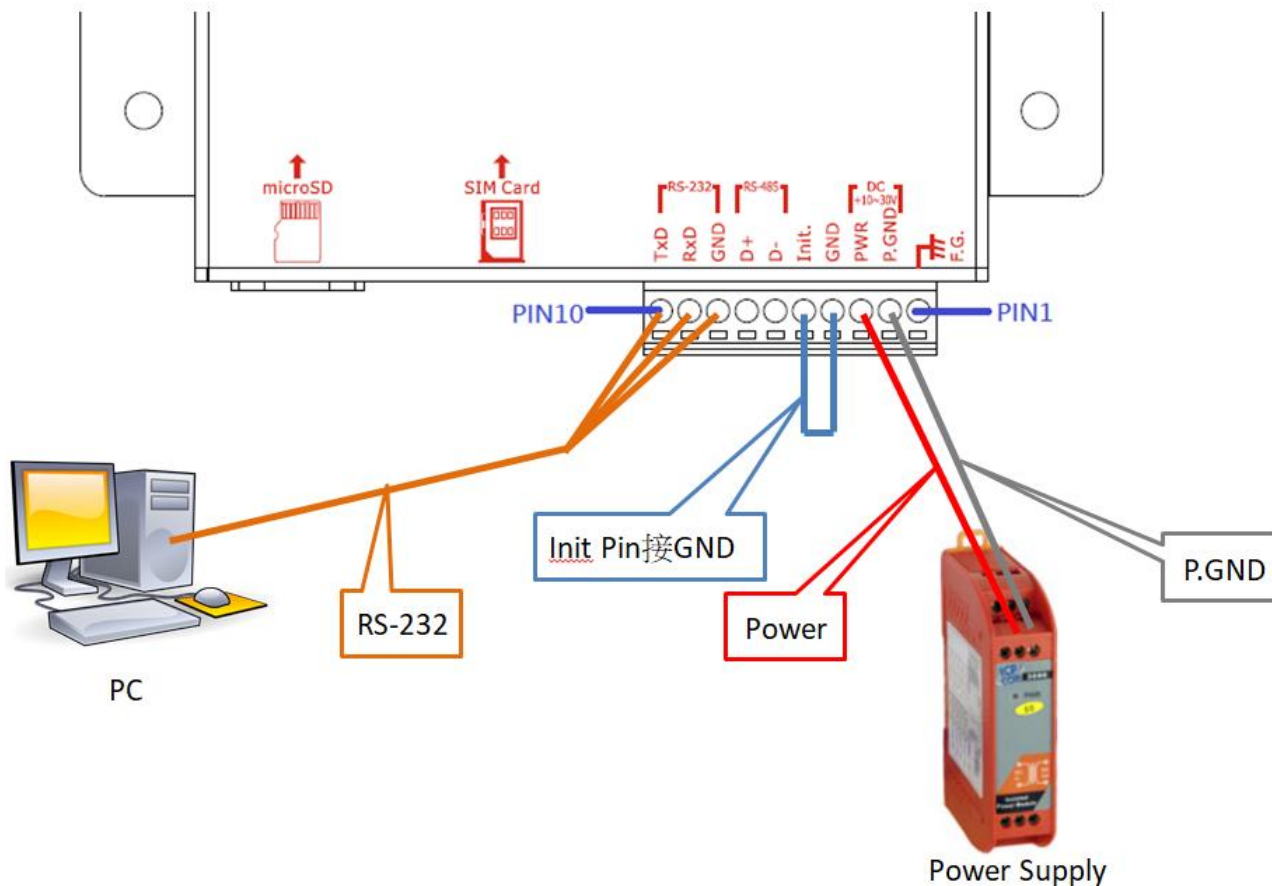
Registered	Network	Remote communication
900ms ON / 100ms OFF	500ms ON / 500ms OFF	200ms ON / 200ms OFF
Update fw	Update fw Fail	Fail
100ms ON / 100ms OFF	100ms ON / 900ms OFF	Always ON or OFF

- D. GPS(Green) : GPS signal status.

Registered	Update fw	Update fw Fail	Fail
500ms ON / 500ms OFF	100ms ON / 100ms OFF	100ms ON / 900ms OFF	Always ON or OFF

➤ Connecting PC and Power

Please connect Pin2 and Pin 3 to Power Supply, Pin 4 and Pin5 Interconnection, and connect Pin8~10 to PC with RS-232.



➤ Installing the M2M Utility

It needs the runtime environment with .NET Framework 2.0 or above to execute the M2M Utility in the PC.

Step 1: Get the M2M Utility tool



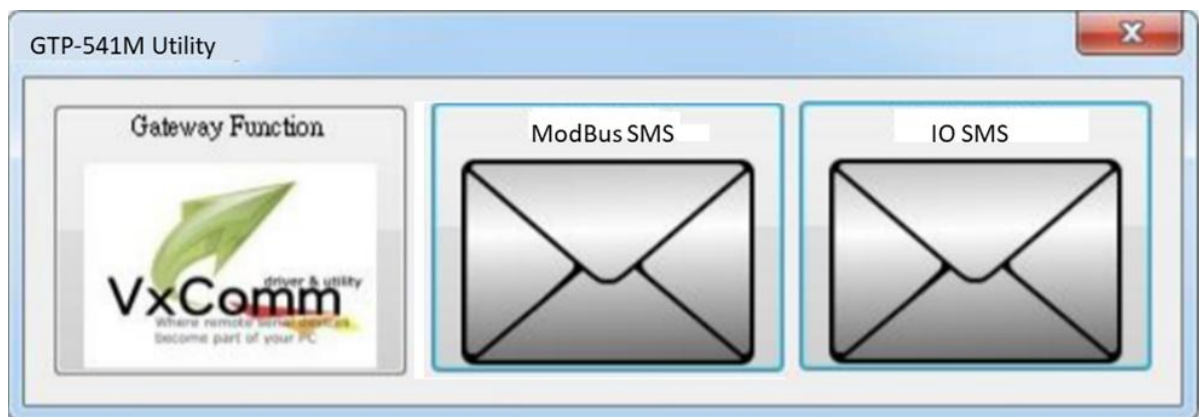
The M2M Utility can be obtained from below link:

<ftp://ftp.icpdas.com.tw/pub/cd/usbcd/napdos/gtp-541m/software/>

Step 2: Follow the prompts to complete the installation**➤ How to use M2M Utility**

Selecting Utility Execute M2M_Utility_Setup_Vx.xx.exe to install M2M_Utility. When the user uses the device for the first time, the pre-loaded firmware is IOSMS.

If user would use other function, he have to replace firmware from SD Card



User Manual:

<ftp://ftp.icpdas.com.tw/pub/cd/usbcd/napdos/gtp-541m/manual/>

Step 1: Login

Choose COM Port and press “Login”.



Step 2: Event Parameter

a. Event Parameter.



Event
Parameter

Device Parameters

Event Setting

Read From Device Write to Device

Select Event

Event : Evt 1

Read Save

Event Information

[Event(1)] : Enable
Type : Auto-Report
Cycle Time : 1 (day)
Time : 12:00:00

[Event(2)] : Enable
Type : DI, NC
Channel No. : 0
Holding Time : 200 (ms)
DO Triggered : DO_ALL_ON
DO Holding Time : 0 (ms)

[Event(3)] : Enable
Type : AI, HIGH
Channel No. : 0
Holding Time : 200 (ms)
AI High Alarm : 5 (V)
DO Triggered : DO_ALL_ON
DO Holdtime : 0 (ms)

[Event(4)] : Enable
Type : COUNTER, NC_PULSE
Channel No. : 1
Counter Status : 0
Counter Alarm : 999999999
Holding Time : 200 (ms)
DO Triggered : DO0_ON
DO Holding Time : 0 (ms)

[Event(5)] : No Use
[Event(6)] : No Use
[Event(7)] : No Use
[Event(8)] : No Use
[Event(9)] : No Use
[Event(10)] : No Use

Event(1) Setting

Type : Auto-Report Trigger Time(ms) : 200

Phone List :

PhoneNumber
0912345678
0963225412
0932000254
0987456321
0975321589
0963258741

MSG Mode : 7-Bit UCS2

MSG Content :

Auto-Report Time

Report Interval: 1 day

Report Time : 12 : 0 : 0

b. Select Event and press "Read".

c. Set "Event (x)Setting".

d. After setting, please press the "Save" button of "Select Event".

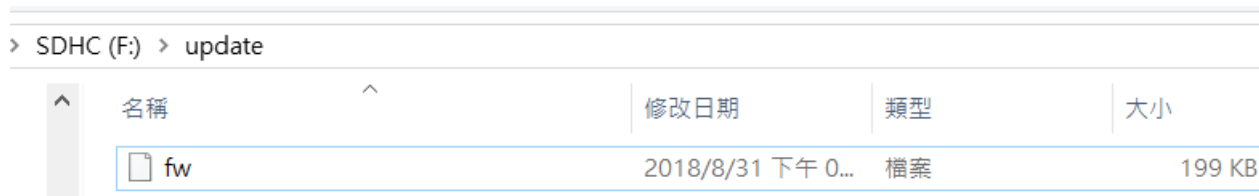
e. Press "Write to Device" to upload parameters to GTP-541M.

➤ How to update(change)firmware

If you want to update or change firmware, please follow these steps as following.

Step 1: Place the burned file

Place the version file to be updated in the update folder inside the SD card, and change the name to "fw".



Step 2: Update firmware

- First insert the SD card with the Firmware file into the GTP-541M.
- When the update is successful after power-on, the STA light and the GPS light will flash at the same time every 0.1 seconds for 10 seconds. If the update fails, it will flash at the same speed every 0.9 seconds for 10 seconds.
- Then the GTP-541M will automatically restart.
- At this point, the internal file of the SD card will become the firmware file and config.ini file inside the original GTP-541M and the file name will be changed to .bak.



SDHC (F:) > update

名稱	修改日期	類型	大小
config.ini.bck	2018/9/4 下午 07	BCK 檔案	21 KB
fw.bck	2018/9/4 下午 07	BCK 檔案	199 KB

➤ Technical Support

1. ICP DAS Service : service@icpdas.com
2. GTP-541M software Website:
<http://m2m.icpdas.com/GTP-541M.html>