

G-4513-3GWA

Quick Start








Sep 2017, Version 1.1

Congratulations!

Thanks for purchasing the G-4513-3GWA – 3G WCDMA Power Saving PAC with Solar Charger. This Quick Start Guide will provide related information which needed to get started with the G-4513-3GWA module. Please also consult the user manual for detailed information on the setup and usage of the G-4513-3GWA module.

What's In the Box!

In addition to this guide, the package includes the following items:

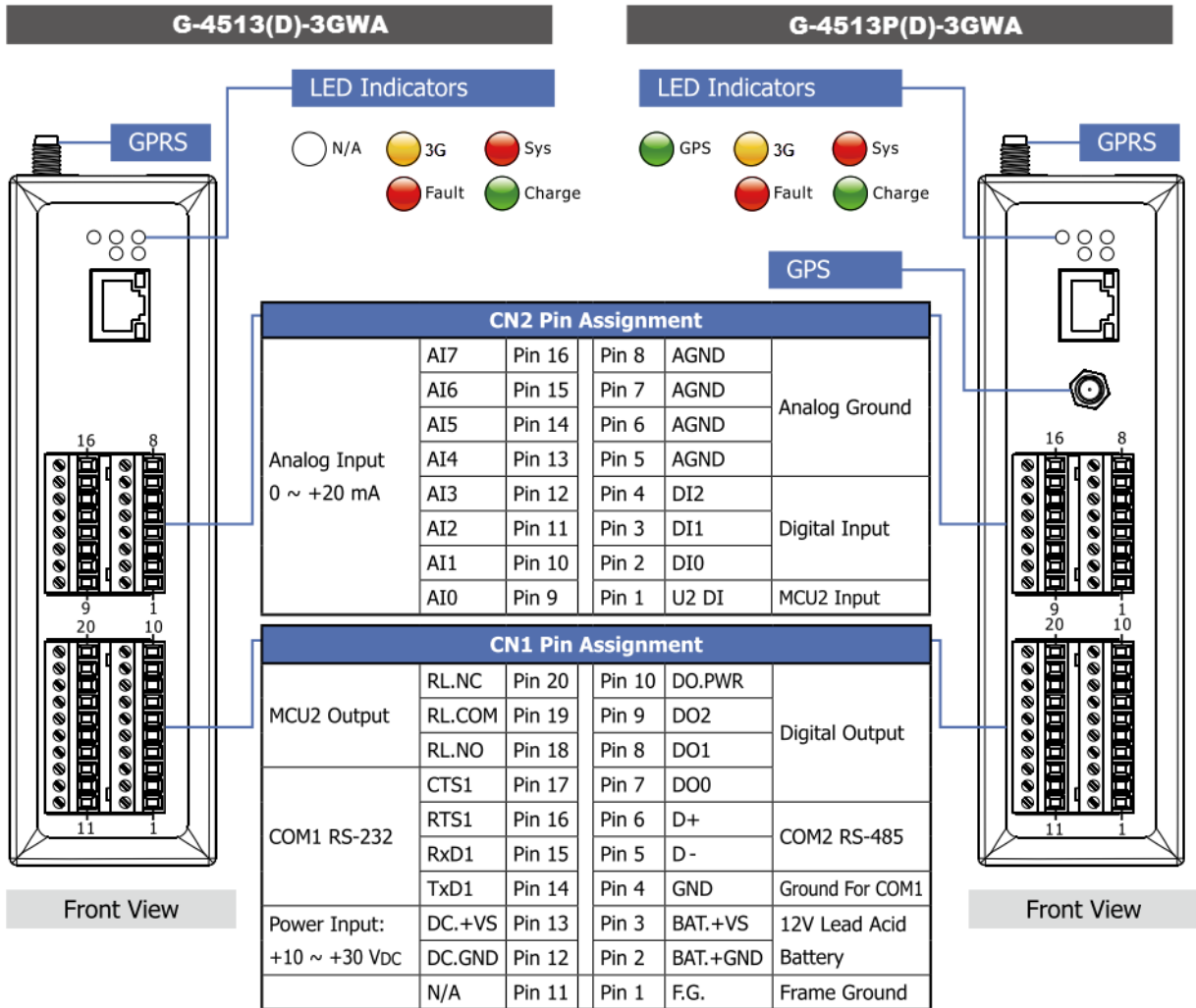
							
	G-4513-3GWA	CD	ANT-421-02	ANT-115-03	CA-0910	L-type	screws
G-4513(D)-3GWA	X1	X1	X1	--	X1	X 2	X1
G4513P(PD)-3GWA	X1	X1	X1	X1	X1	X 2	X1

Technical Support

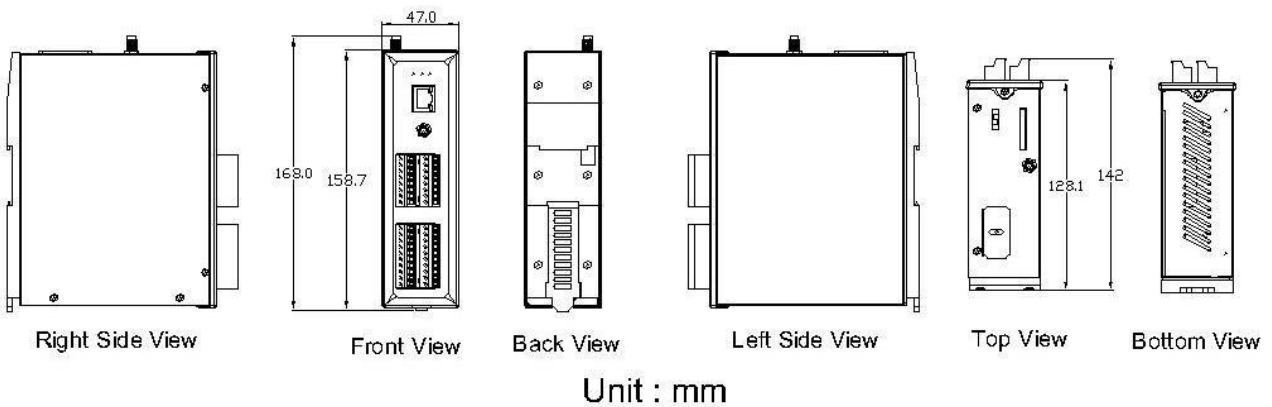
- **G-4513-3GWA User Manual**
<http://ftp.icpdas.com/pub/cd/usbcd/napdos/g-4513-3gwa/manual/>
- **G-4513-3GWA Website**
<http://m2m.icpdas.com/g-4513-3gwa.html>
- **MiniOS7 Utility**
http://ftp.icpdas.com/pub/cd/8000cd/napdos/minios7/utility/minios7_utility/

1 Hardware Installation

Pin Assignments

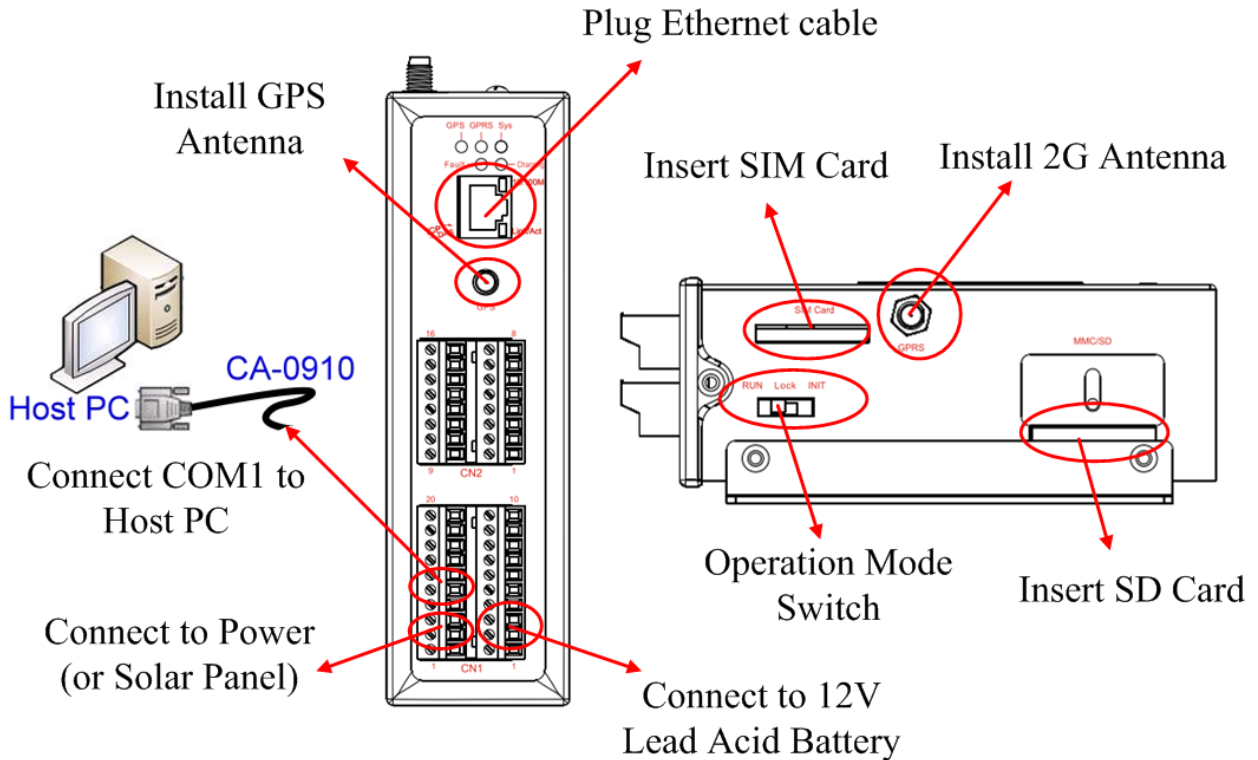


Dimensions

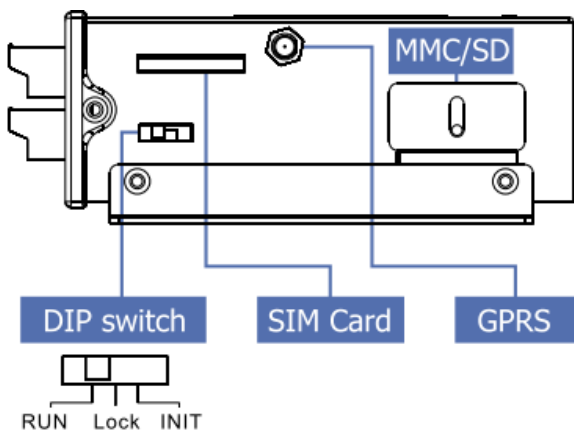


■ Installation

- A. Install 2G/3G antenna.
- B. Plug in the normal SIM card (Before apply the SIM card, confirm it is OK by mobile phone.)
- C. Connect the DC.+VS and DC.GND to the power supply or Solar Panel.
- D. Connect BAT.+VS and BAT.GND to the 12V Lead Acid Battery.



■ Operation Mode Switch

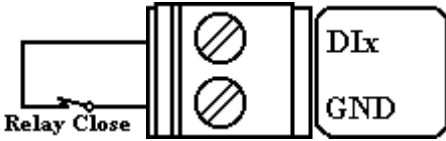
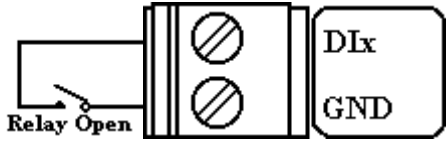
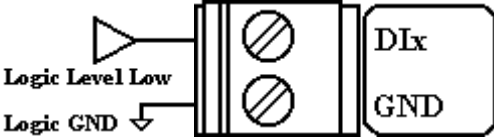
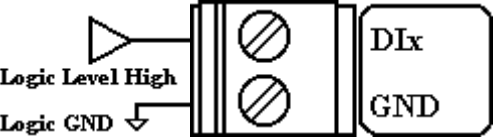
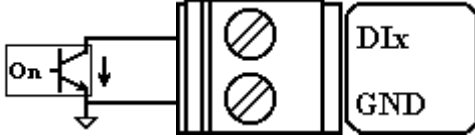
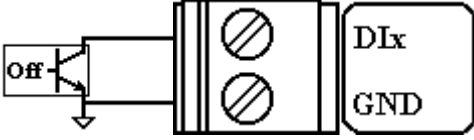


Operation Mode Switch

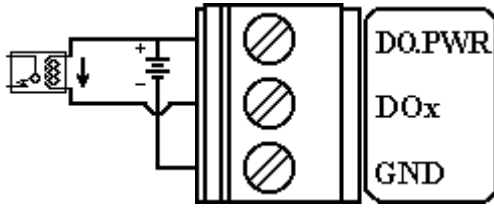
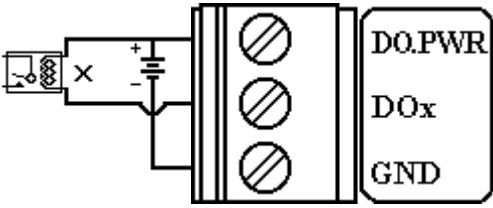
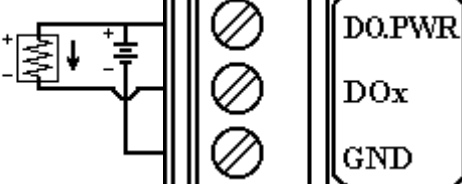
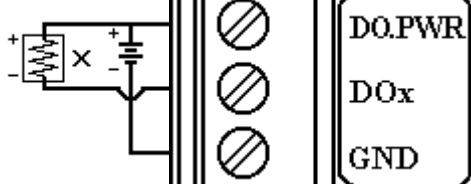
RUN	OS can execute autoexec.bat
	Flash can be read/write.
LRun	OS can execute autoexec.bat
	Flash is read only (lock).
INIT	OS can not execute autoexec.bat
	Flash can be read/write.

■ Wire Connection

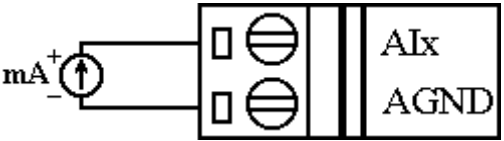
➤ Digital Input Wire Connection

Input Type	ON State DI value as 0	OFF State DI value as 1
Relay Contact		
TTL/CMOS Logic		
Open Collector		

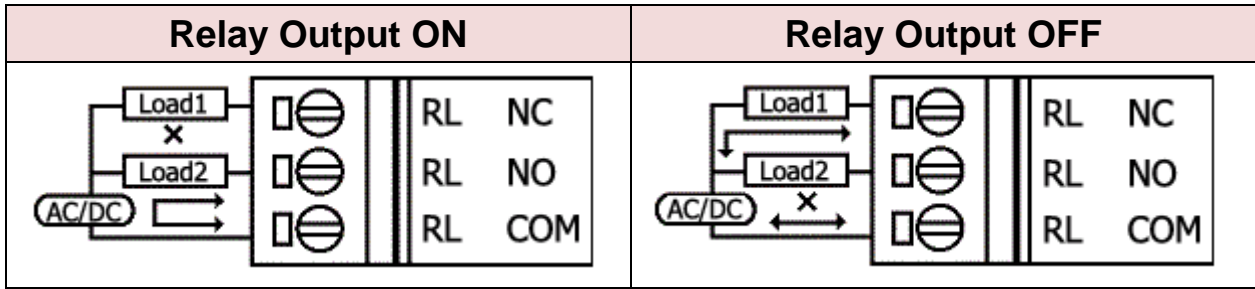
➤ Digital Output Wire Connection

Input Type	ON State DO value as 1	OFF State DO value as 0
Drive Relay		
Resistance Load		

➤ Current Input Wire Connection

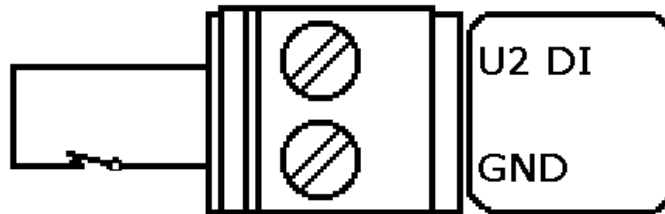
Input Type	
------------	--

➤ Relay Wire Connection



■ Wake up from Sleep mode

- When G-4513 was in sleep mode, you can connect the Pin “U2 DI” (MCU2 DI) to GND. to awaking G-4513 from sleep mode.
- You will read “U2 DI” as 0, when you connect “U2 DI” to GND.



2 MiniOS7 Utility

■ Install MiniOS7 Utility

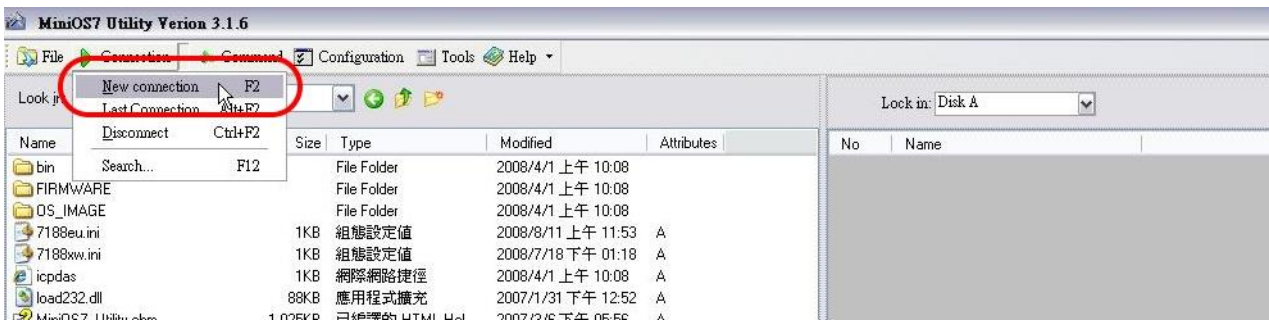
The installation software can be obtained from :

http://ftp.icpdas.com/pub/cd/8000cd/napdos/minios7/utility/minios7_utility/

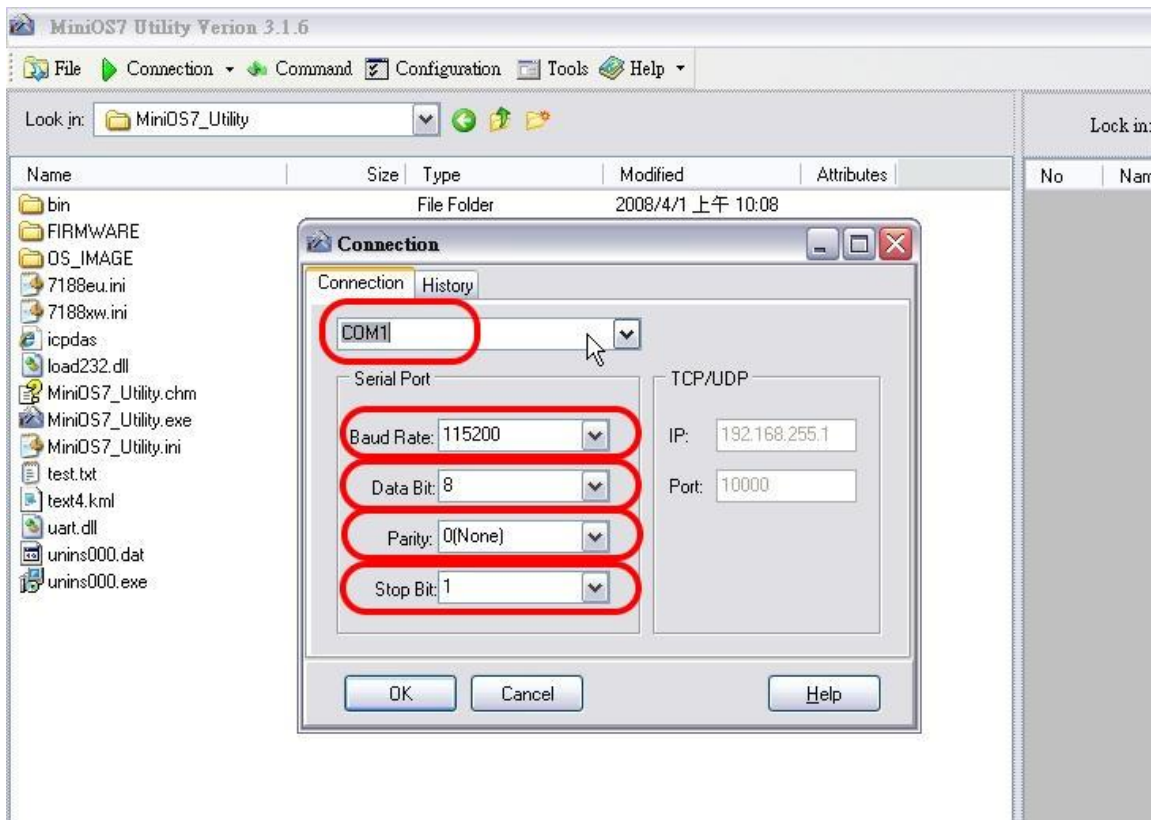
■ Launch MiniOS7 Utility



■ Select connect G-4513 to Host PC



■ Setup the COM Port parameter



Tips & Warnings



G-4513 default COM Port parameter 115200, 8, N, 1

■ Download Demo into the G-4513

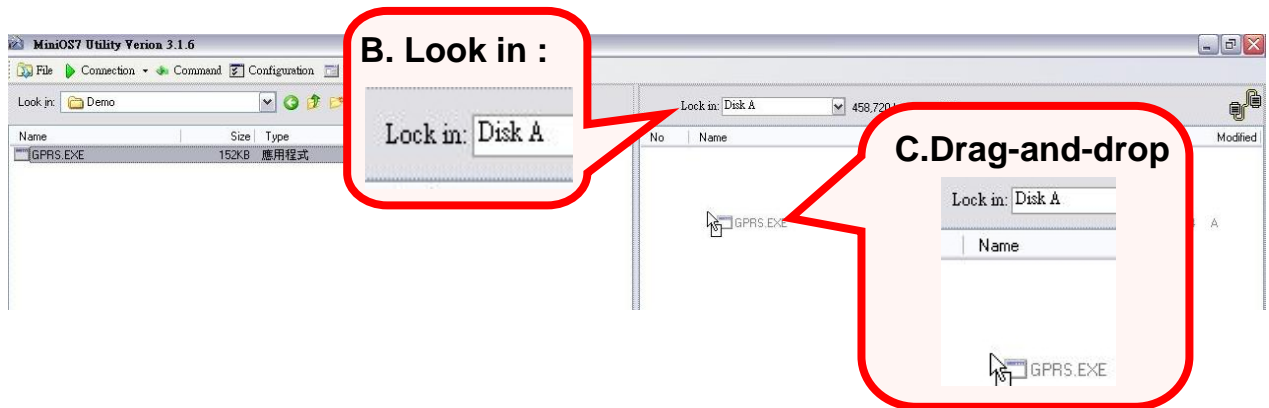
A. You can be obtained from the following location :

CD: \napdos\G-4513\Software\Demo

Http://ftp.icpdas.com/pub/cd/usbcd/napdos/G-4513/software/demo

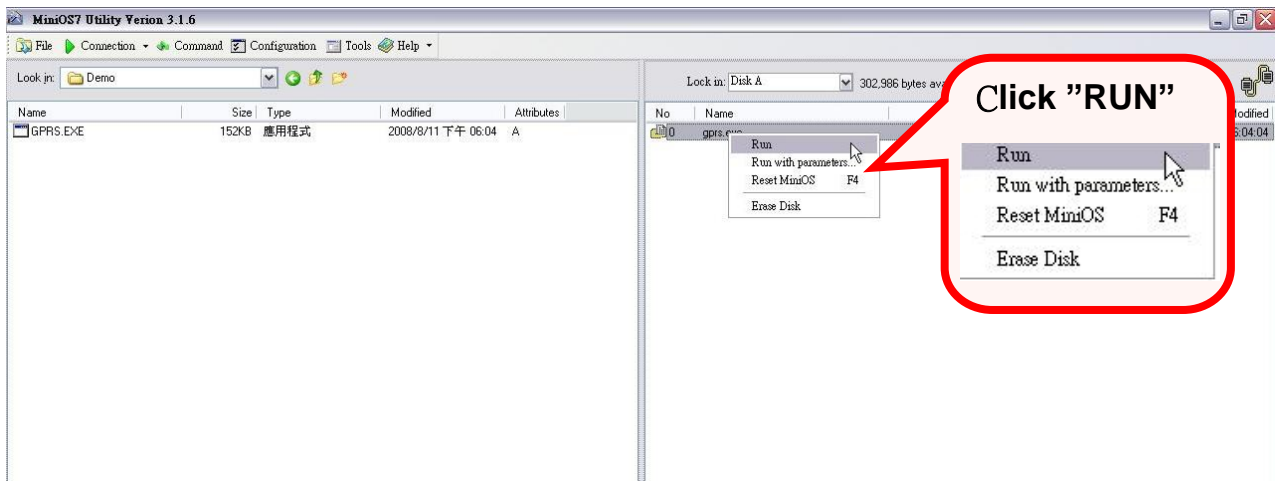
B. Click the “Look in” pull-down menu to the location of Demo.

C. Drag-and-drop the files from left hand window to right hand window.



■ RUN the Demo

☞ Step 1 : Click “Run”.



➤ **Step 2** : Key in the command, “run”, to implement the execution file.



```
ca 7188XW 1.32 [COM1:115200,N,8,1],FC=0,CTS=0, DIR=D:\Demo
7188x for WIN32 version 1.32 <2006/10/17>[By ICPDAS. Tim Tsai.]
[Begin Key Thread...]
Current set: Use COM1 115200,N,8,1
AutoRun:
Autodownload files: None
Current work directory="D:\Demo"
original baudrate = 115200!
now baudrate = 115200!

uP-4500>
uP-4500>run
```