



# G-4500 Series

## Quick Start

Date 2011/11/09

### Package Checklist

The package includes the following items:

- One G-4500 hardware module
- One Quick Start (this manual)
- One companion CD
- One RS-232 download cable (CA-0910)
- One GPRS antenna
- Two mounting screws (G-4500 only)
- Two L-type wall mount flat pieces (G-4500 only)
- One Screw driver

|              | G-4500                                 | GD-4500                                |
|--------------|--|--|
| Casing       | Metal                                  | Plastic                                |
| Dimensions   | 47 mm x 142 mm x 168 mm<br>(W x L x H) | 60 mm x 140 mm x 172 mm<br>(W x L x H) |
| Installation | DIN-Rail and Wall mount                | DIN-Rail and Wall mount                |

### Related Documents and Software Utilities

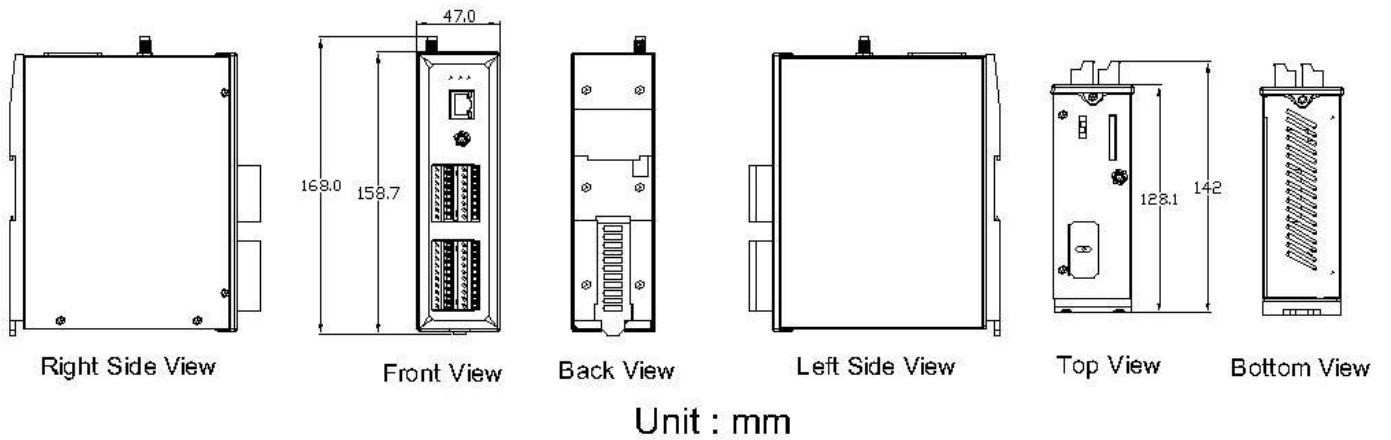
#### Documents

- User Manual: G-4500\_User\_Manual.pdf
- Quick Start: G-4500\_QuickStart.pdf
- CD: \napdos\G-4500\Manual
- [Http://ftp.icpdas.com/pub/cd/usbcd/napdos/G-4500/Manual](http://ftp.icpdas.com/pub/cd/usbcd/napdos/G-4500/Manual)

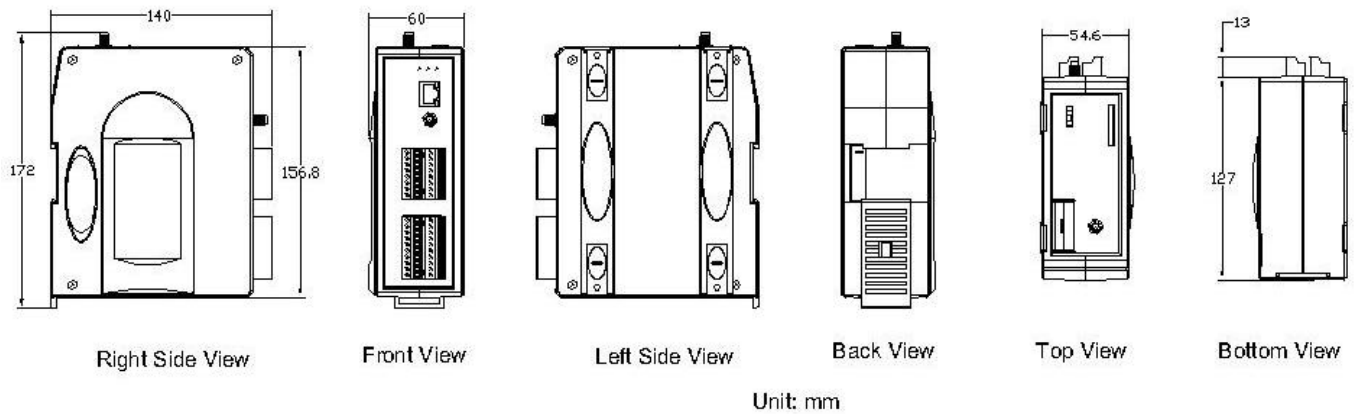
#### MiniOS7 Utility

- [Http://ftp.icpdas.com/pub/cd/8000cd/napdos/minios7/utility/minios7\\_utility/](http://ftp.icpdas.com/pub/cd/8000cd/napdos/minios7/utility/minios7_utility/)

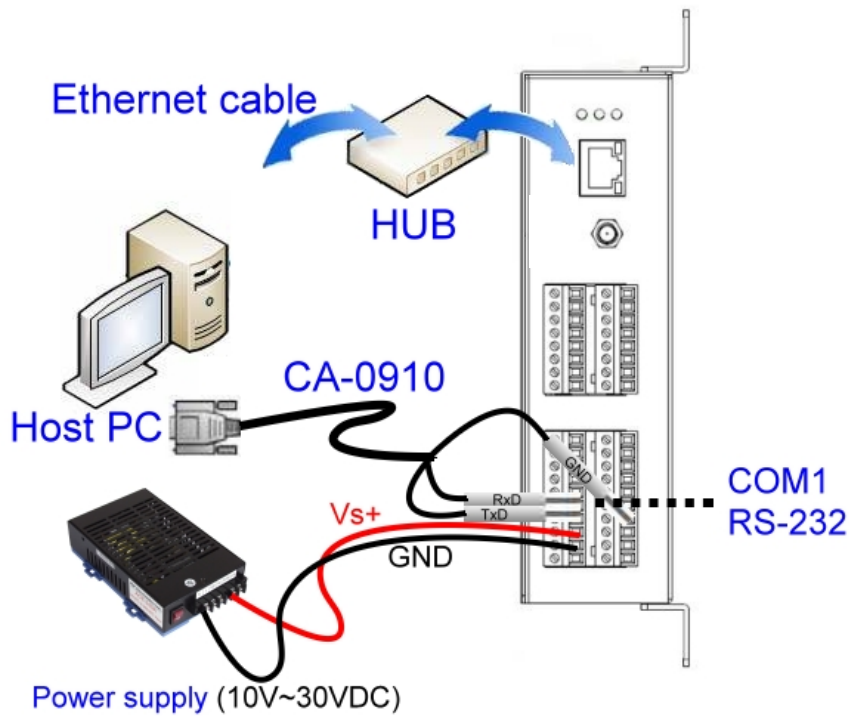
➤ **G-4500 Dimensions (Unit: mm)**



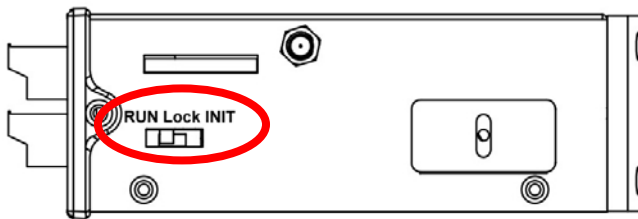
➤ **GD-4500 Dimensions (Unit: mm)**



➤ **Connect the G-4500 to power and Host PC**




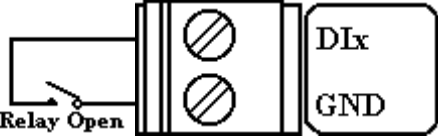
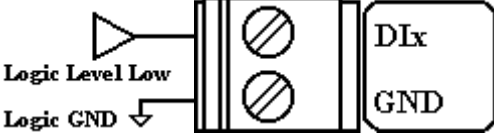
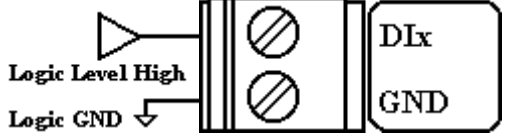
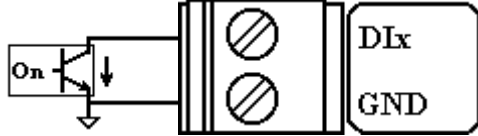
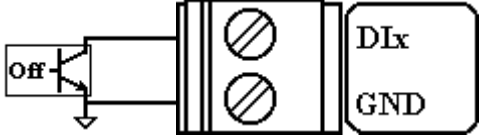
➤ **Operation Mode Switch**



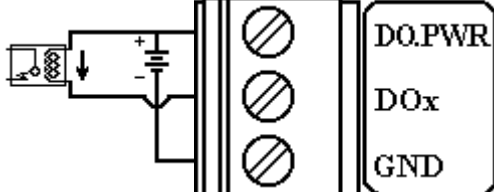
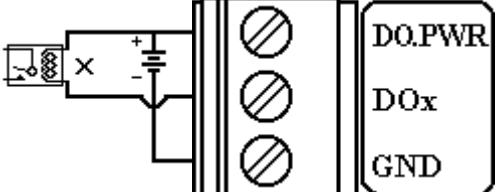
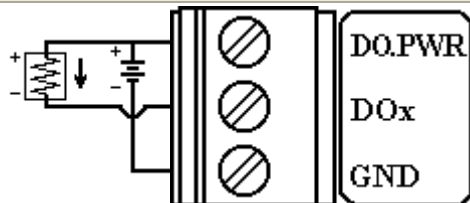
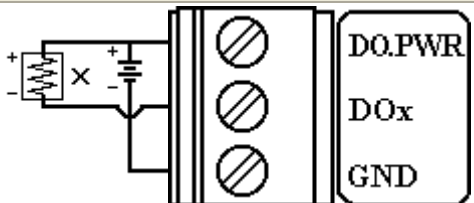
| Operation Mode Switch |                                 |
|-----------------------|---------------------------------|
| RUN                   | OS can execute autoexec.bat     |
|                       | Flash can be read/wirte.        |
| Lock                  | OS can execute autoexec.bat     |
|                       | Flash is read only (lock).      |
| INIT                  | OS can not execute autoexec.bat |
|                       | Flash can be read/wirte.        |

## ➤ Wire Connection

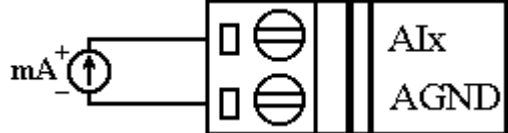
### ● Digital Input Wire Connection

| Input Type     | ON State<br>DI value as <b>0</b>  | OFF State<br>DI value as <b>1</b>  |
|----------------|---|--|
| Relay Contact  |  |  |
| TTL/CMOS Logic |  |  |
| Open Collector |  |  |

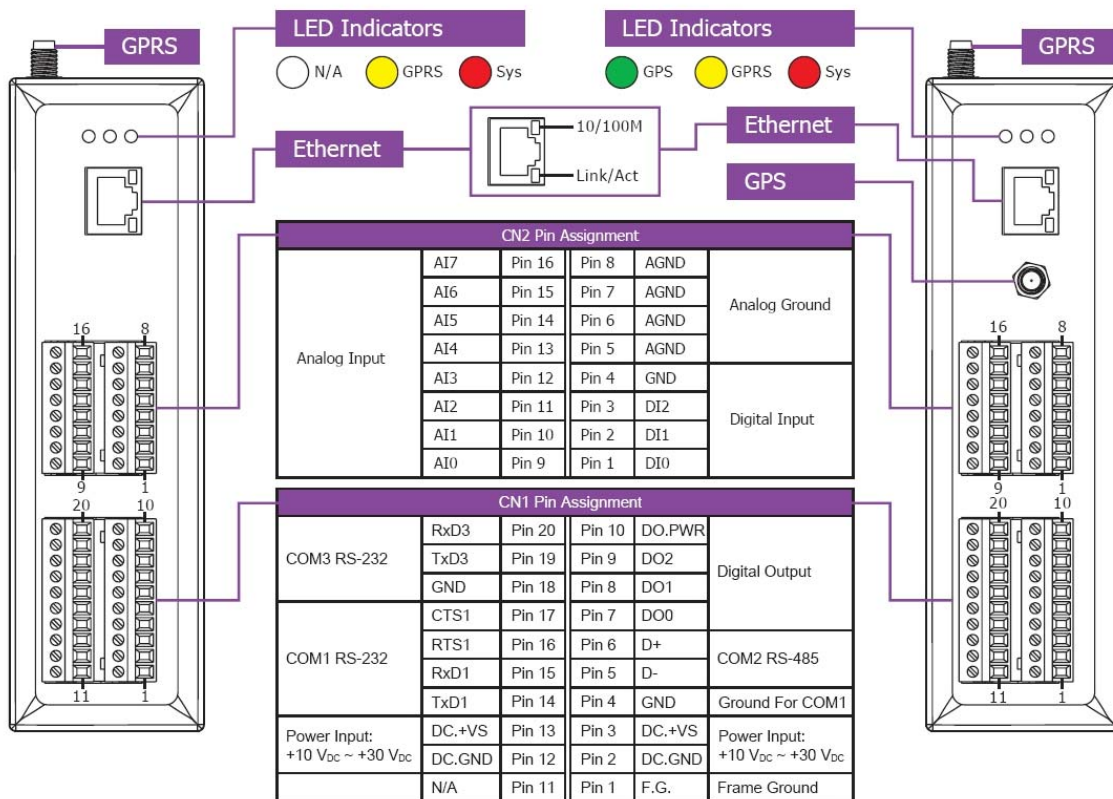
### ● Digital Output Wire Connection

| Input Type      | ON State<br>DO value as <b>1</b>  | OFF State<br>DO value as <b>0</b>  |
|-----------------|---|--|
| Drive Relay     |  |  |
| Resistance Load |  |  |

### ● Current Input Wire Connection

|            |  |
|------------|--|
| Input Type |  |
|------------|--|

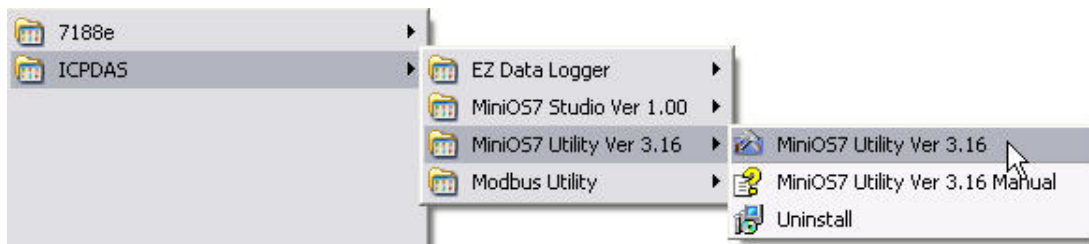
## ➤ Pin Assignments



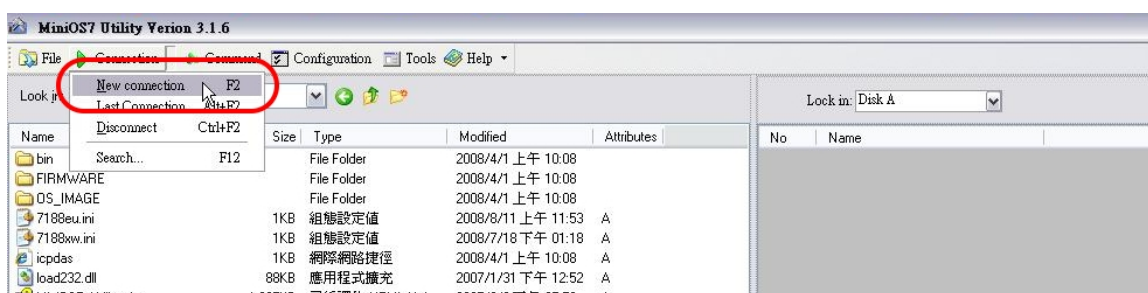
## ➤ Install MiniOS7 Utility

The installation software can be obtained from:  
[http://ftp.icpdas.com/pub/cd/8000cd/napdos/minios7/utility/minios7\\_utility/](http://ftp.icpdas.com/pub/cd/8000cd/napdos/minios7/utility/minios7_utility/)

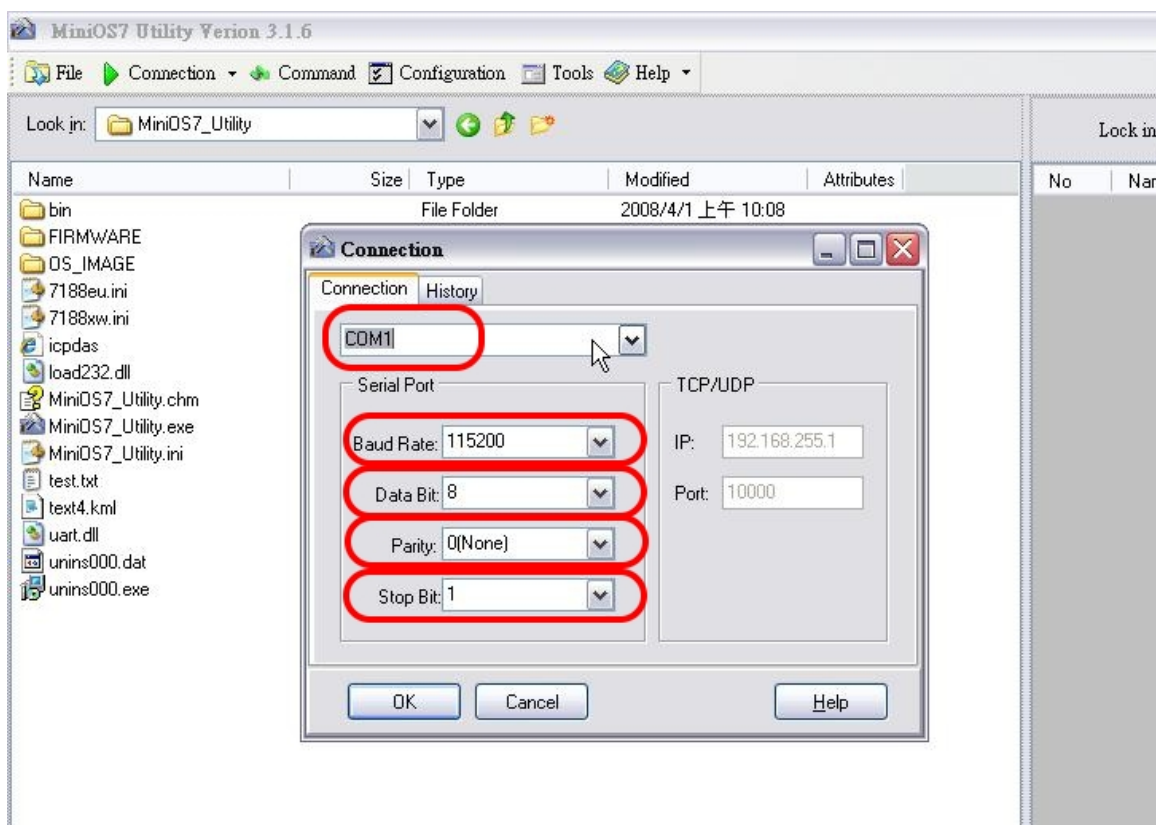
## ➤ Launch MiniOS7 Utility



## ➤ Select connect G-4500 to Host PC



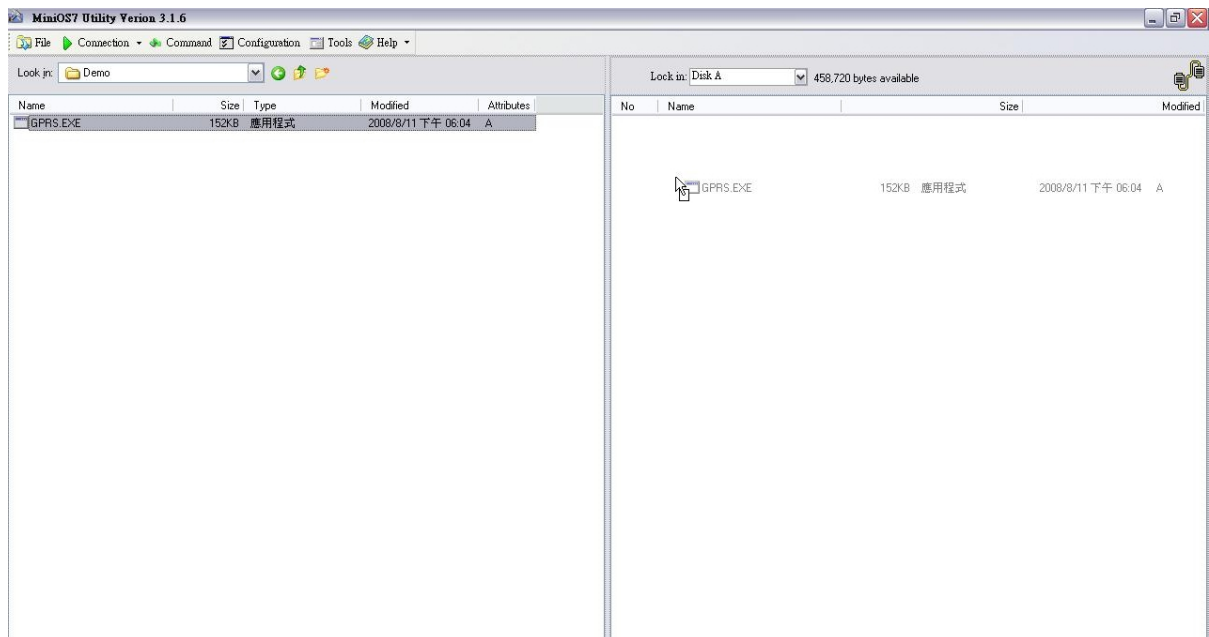
## ➤ Setup the COM Port parameter



**Note: G-4500 default COM Port parameter 115200, 8, N, 1**

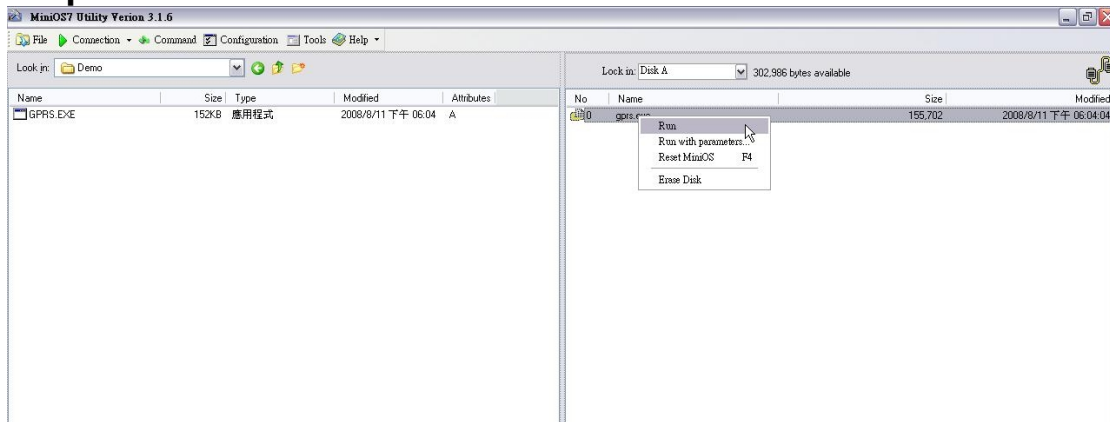
## ➤ Download Demo into the G-4500

1. You can be obtained from the following location:  
CD: \napdos\G-4500\Software\Demo  
Http://ftp.icpdas.com/pub/cd/usbcd/napdos/G-4500/  
Software/Demo
2. Click the “Look in” pull-down menu to the location of Demo.
3. Drag-and-drop the files from left hand window to right hand window.

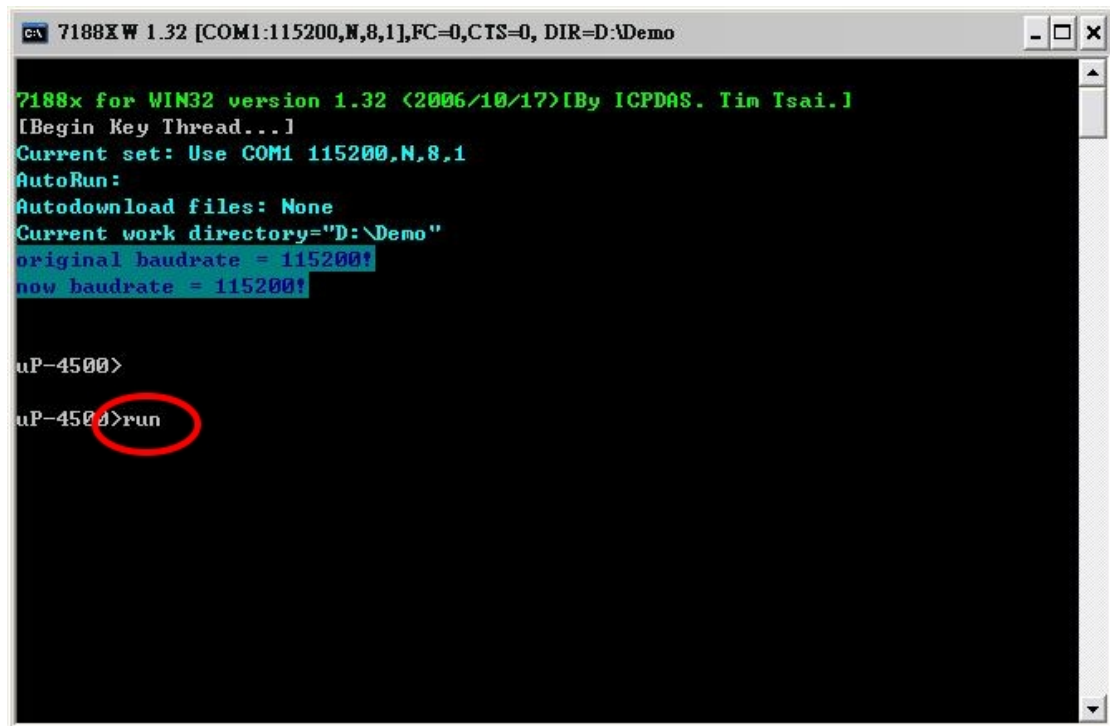


## ➤ RUN the Demo

### Step1.



**Step2. Key in the command, “run”, to implement the execution file.**



## ➤ Technical Support

1. ICP DAS Service : [service@icpdas.com](mailto:service@icpdas.com)

2. G-4500 software Website:

[http://www.icpdas.com/products/GSM\\_GPRS/GPRS/G-4500.htm](http://www.icpdas.com/products/GSM_GPRS/GPRS/G-4500.htm)