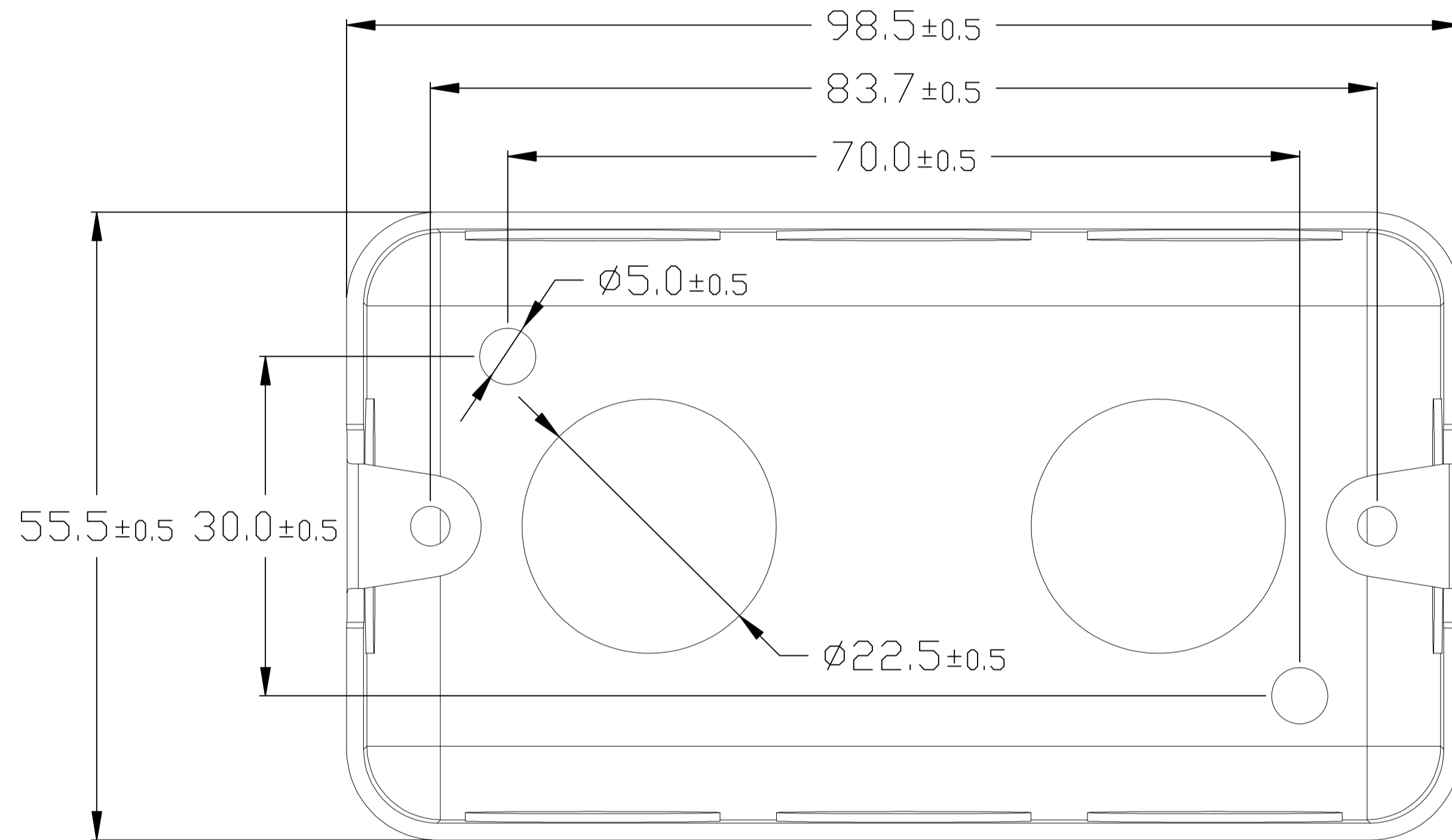
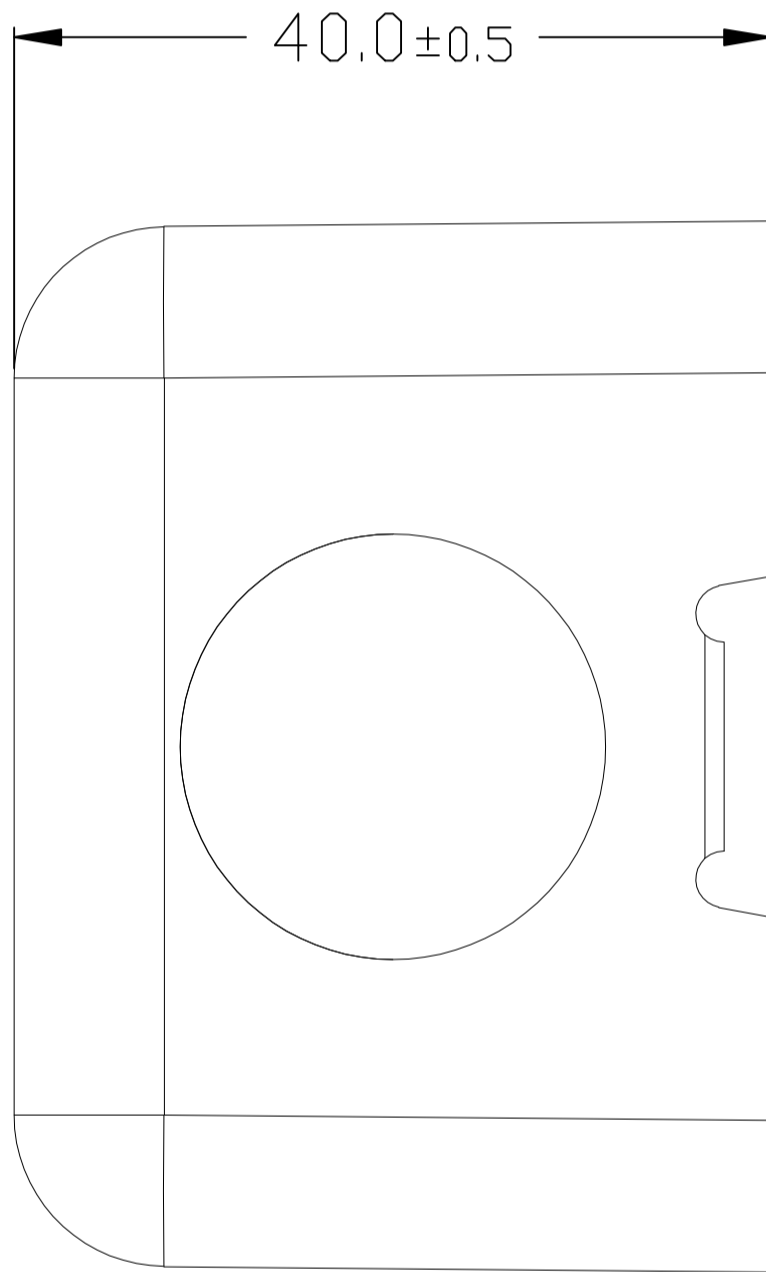


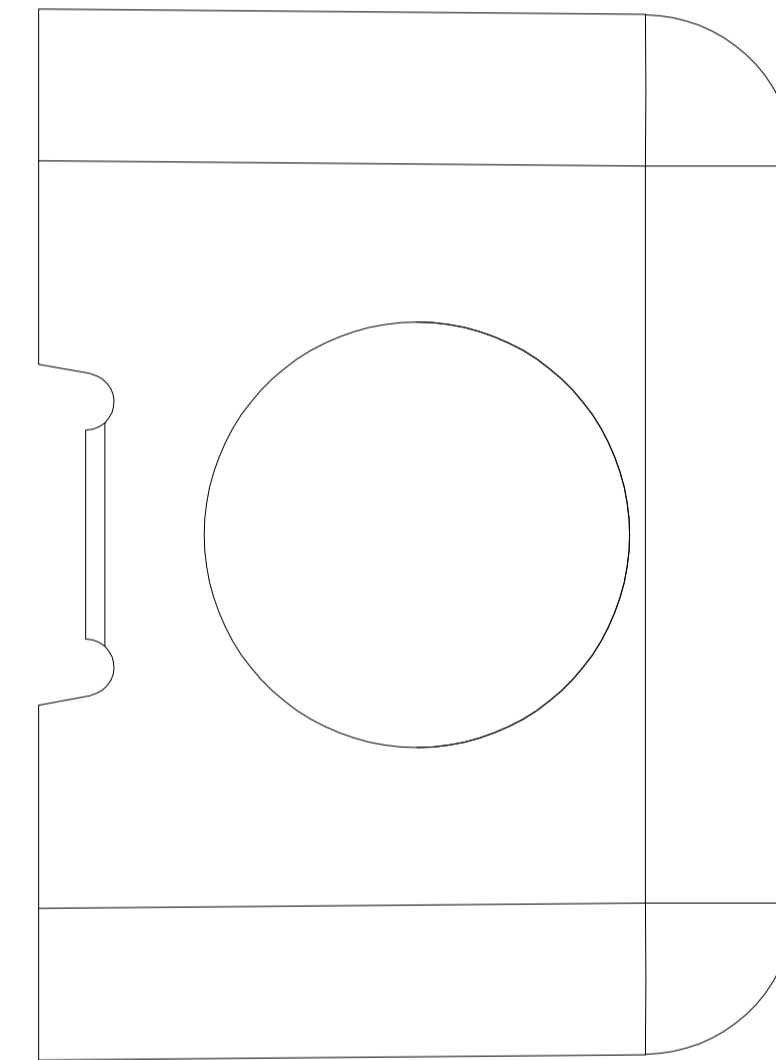
Top View



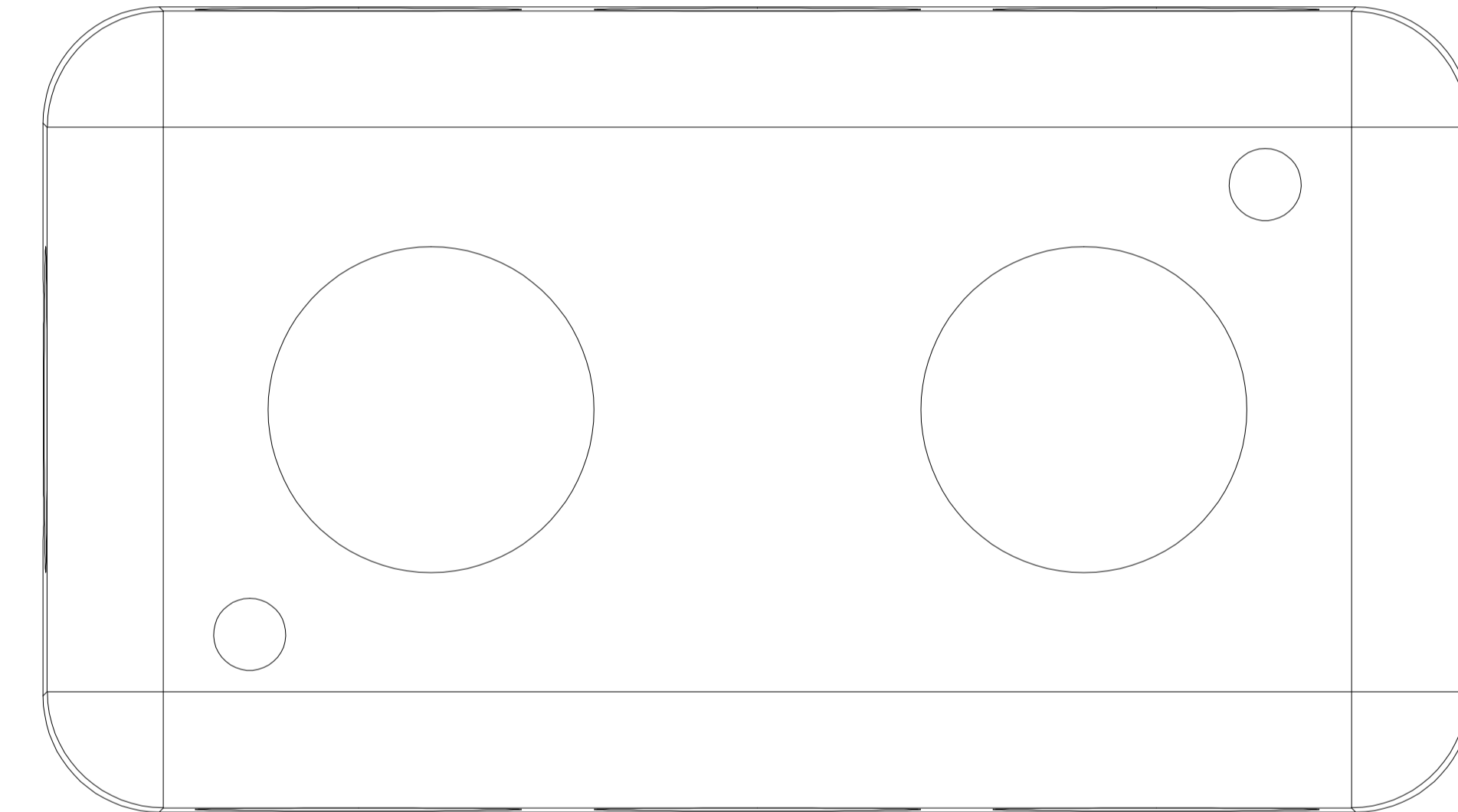
Front View



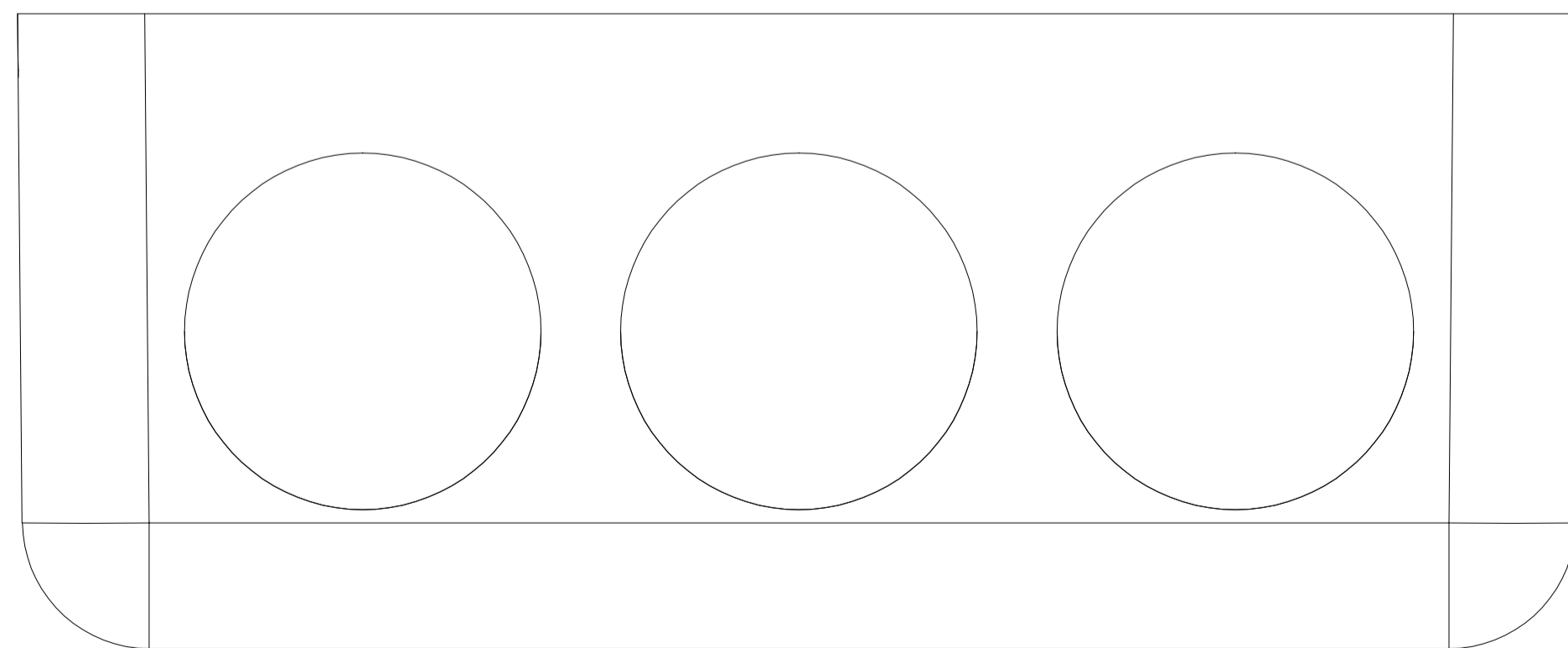
Left Side View



Right Side View



Rear View



Bottom View

Unit: mm