



**iKAN-116-PFB**  
**iKAN-124-PFB**



**iKAN-116S-PFB**  
**iKAN-124S-PFB**



**iKAN-208-PFB**  
**iKAN-216-PFB**  
**iKAN-224-PFB**

## Features

- Web-Based User Interface
- Embedded PROFIBUS Interface
- 7-color display with a text height of 16/11.5 cm
- Able to store up to 128 messages with priority configuration
- Supports multiple languages (Glyphs for Arabic, Indian and Thai alphabets are not included)
- 168 variables available for displaying real-time data in a text message
- Can be remotely controlled via a PLC, PC or smartphone
- Supports Modbus TCP/Modbus RTU/CGI protocols
- Able to display indoor air quality indexes from DL modules without any controller



## Introduction

The iKAN series is a family of industrial LED message display devices that deliver industrial-grade anti-noise capabilities as well as reliability and stability. ASCII characters and Unicode characters, which can be used to display multiple languages, are supported for presenting formatted messages. Support for the popular Modbus industrial protocol is provided meaning that iKAN display devices can be easily integrated into existing PLC and SCADA environments.

The iKAN series allows data written from a PC or a PLC to be displayed in a formatted message in real-time. Seven colors are available for the text, which can be used to indicate different degrees of importance of the message, as well as significantly increase the readability of the message in an industrial arena.

Messages can be edited using a standard web browser, such as Google Chrome, Firefox, or IE, etc., on a PC, mobile device, or smartphone without any limitations related to specific control tools or programs. With an open user interface and the ability to display real-time data, the iKAN series of display devices are highly suitable to be applied in a variety of indoor or semi-outdoor spaces, including shopping malls, railway stations, and industrial areas.

## Smart Control with a Smartphone

The iKAN display allows you to edit messages and control the display using your smartphone. This is very useful when you need to quickly and efficiently display an emergency message to a large number of readers.



## IP65 Rating

The iKAN IP65 model is totally waterproof and dustproof so it can be installed in dirty, soiled, or semi-outdoor environments, such as eaves, open halls, outdoor canopies, or beneath a sunroof.



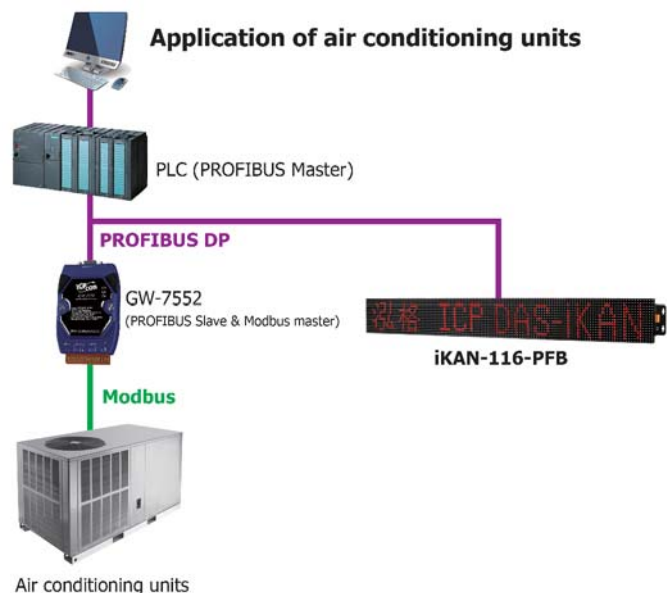
## Message Priority

Messages with instant priority have a higher priority than other messages. Once a message with instant priority is enabled, the common message currently being displayed will be suspended until the instant message is disabled. This feature allows the most important information to be displayed in an emergency situation.

## Applications

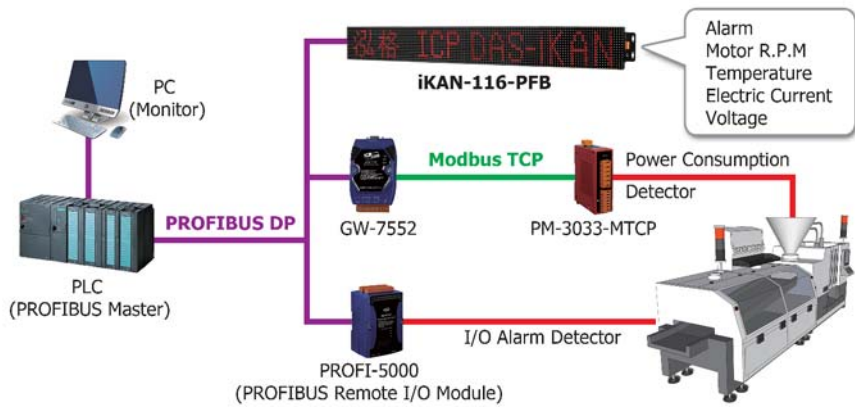
### PLC HMI

As the PLC is configured to be the PROFIBUS Master, it is able to read data from the Modbus RTU device through the GW-7552 module, and transfer it to the remote host PC. This means that the PLC can then control the settings of the message on the iKAN-116-PFB display. The local operators are able to read the real-time operating data related to the chiller liquid flow, the chilled water temperature, and the power consumption, etc., from the iKAN-116-PFB display.



## Indoor Air Quality Display

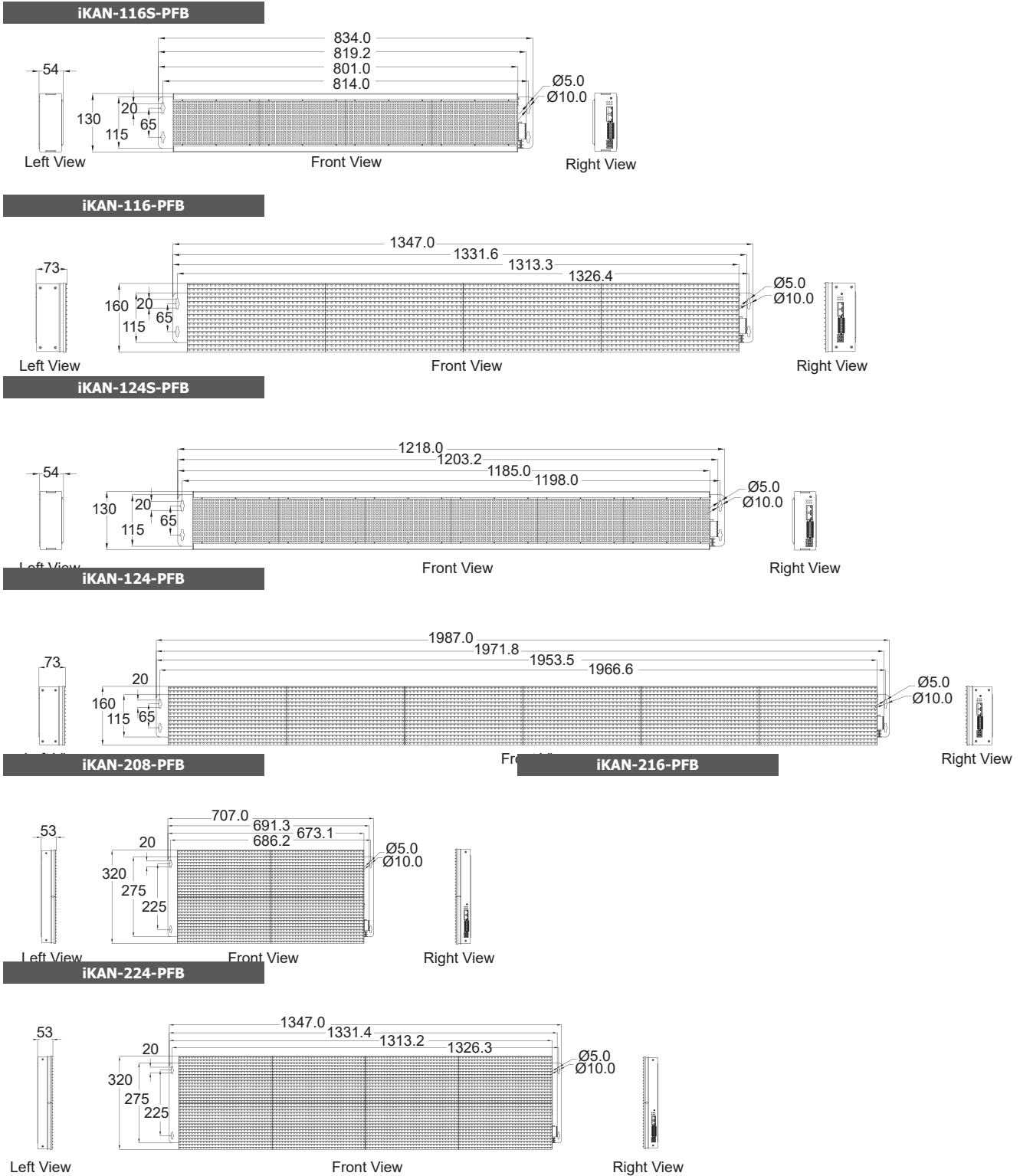
As the PLC is configured to be the PROFIBUS Master, it will send data related to the machine I/O alarm status (from the PROFI-5000 module), the system power consumption (from the PM-3033-MTCP module) to the remote PC in real-time, meaning that the PLC is then able to control the settings of the message on the iKAN-116-PFB display. The local operators are able to read the real-time operating data related to the machine alarm status, the motor speed (RPM), the operating temperature, and the power current/voltage, etc., from the iKAN-116-PFB display.



## Specifications

Model	iKAN-116-PFB	iKAN-116S-PFB	iKAN-124-PFB	iKAN-124S-PFB	iKAN-208-PFB	iKAN-216-PFB	iKAN-224-PFB
<b>Display</b>							
Text Color	Red, Blue, Yellow, Green, Light Blue, Purple or White						
Character Sets	16-bit Unicode or 7-bit ASCII						
Display Size	Line	1	1	1	1	2	2
	ASCII Characters	16	16	24	24	8	16
	Unicode Characters	8	8	12	12	4	8
Message Pool	64 common messages and 10 instant messages Up to 40 Unicode characters or 100 ASCII characters each						
Data Pool	40 Coil values, 64 Float values, and 64 Integer values						
RTC (Real-time Clock)	Date and time, 24 hour format, including hours, minutes, seconds, day of the week, date, month, year						
<b>Ethernet</b>							
Port	1 x RJ-45, 10/100 Base-TX						
Protocol	Modbus TCP Slave, Max. 8 connections						
Configuration	Web-based User Interface						
<b>PROFIBUS</b>							
Controller	Profichip VPC3+C						
Transceiver	ADI ADM2486						
Connector	9-pin female D-Sub						
Baud Rate (bps)	9.6k, 19.2k, 45.45k, 93.75k, 187.5k, 500k, 1.5M, 3M, 6M, 12M						
Transmission Distance (m)	Depend on baud rate(for example, max. 1200m at 9.6kpbs)						
Isolation	3000 VDC for DC-to-DC, 2500 Vrms for bus-to-logic						
Protocol	DP-V0 & DP-V1						
<b>COM Port</b>							
Interface	RS-232 or RS-485. Note that the interfaces cannot be used simultaneously						
Protocol	Modbus RTU Slave						
Baudrate (bps)	1200, 2400, 4800, 9600, 19200, 38400, 57600, 115200						
Data Format	N81, E81, O81						
<b>Power</b>							
Input Range	100 ~ 240 VAC						
Consumption	0.25 A @ 110 VAC, 0.125 A @ 220 VAC		0.3A A @ 110 VAC, 0.15 A @ 220 VAC		0.3 A @AC 120V	0.4 A @AC 120V	0.5 A @AC 120V
<b>Mechanical</b>							
Dimensions (mm) (W × H × D)	1346 × 160 × 49	835 × 115 × 37.5	1986 × 160 × 49	1218 × 115 × 37.5	707 × 320 × 50	1346 × 320 × 49	1986 × 320 × 49
Weight	4 Kg	2 Kg	4.6 Kg	2.5 Kg	4 Kg	8 Kg	12 Kg
Installation	Wall mounting						
Housing Material	Aluminum						
<b>Environment</b>							
Operating Temperature	0 ~ +60°C						
Storage Temperature	-10 ~ +75°C						
Humidity	10 ~ 90% RH, Non-condensing						

## ■ Dimensions (Units: mm)



## ■ Ordering Information

<b>iKAN-116-PFB</b>	Single Line, 8/16-Character Industrial LED Display with PROFIBUS Interface
<b>iKAN-116S-PFB</b>	Single Line, 8/16-Character, Small-sized, Industrial LED Display with PROFIBUS Interface
<b>iKAN-124-PFB</b>	Single Line, 12/24-Character Industrial LED Display with PROFIBUS Interface
<b>iKAN-124S-PFB</b>	Single Line, 12/24-Character, Small-sized, Industrial LED Display with PROFIBUS Interface
<b>iKAN-208-PFB</b>	2-line, 4/8-Character Industrial LED Display with PROFIBUS Interface
<b>iKAN-216-PFB</b>	2-line, 8/16-Character Industrial LED Display with PROFIBUS User Interface
<b>iKAN-224-PFB</b>	2-line, 12/24-Character Industrial LED Display with PROFIBUS Interface