



Features ▶▶▶

- Provides 16 10/100 Mbps Ethernet ports
- Each port supports both 10/100 Mbps speed auto negotiation
- Supports 4 kV Ethernet ESD protection and 1 kV EFT protection
- Supports operating temperatures from -40 °C ~ +75 °C
- DIN-Rail Mounting, Wall Mounting
- Automatic MDI/MDI-X crossover for plug-and-play
- Store-and-forward architecture
- Full duplex IEEE 802.3x and half duplex backpressure flow control
- Supports Dual +12 V_{DC} ~ +48 V_{DC} power input and 1 relay output

Introduction

The NSM-216 has 16 Ethernet ports that support 10/100 Base-TX, with a 10/100M auto negotiation feature and auto MDI/MDI-X function. It can connect 16 workstations and automatically switches the transmission speed (10 Mbps or 100 Mbps) for corresponding connections.

All Ethernet ports have memory buffers that support the store-and-forward mechanism, which assures that data can be transmitted properly. The NSM-216 supports advanced network standards to optimize network performance, reduce maintenance costs, and secure network safety.

The flow control mechanism is also negotiated. There is link/data rate LEDs for each port to aid troubleshooting. Port connectors are shielded RJ-45.

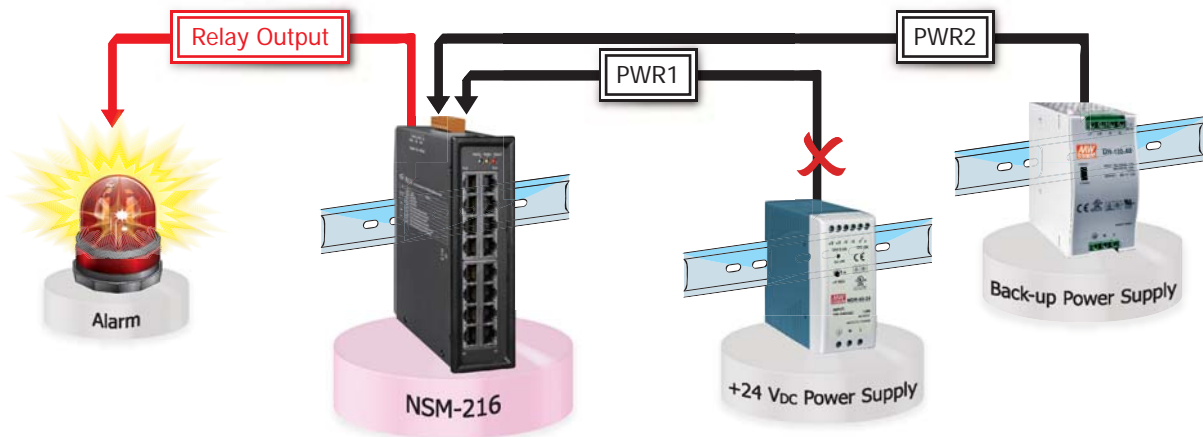
Specifications

| | |
|----------------------------|--|
| Technology | |
| Standards | IEEE802.3, 802.3u, 802.3x |
| Processing Type | Store & forward, wire speed switching |
| MAC Addresses | 8K |
| Memory Bandwidth | 3.2 Gbps |
| Frame Buffer Memory | 3 Mbit |
| Flow Control | IEEE 802.3x flow control, back pressure flow control |

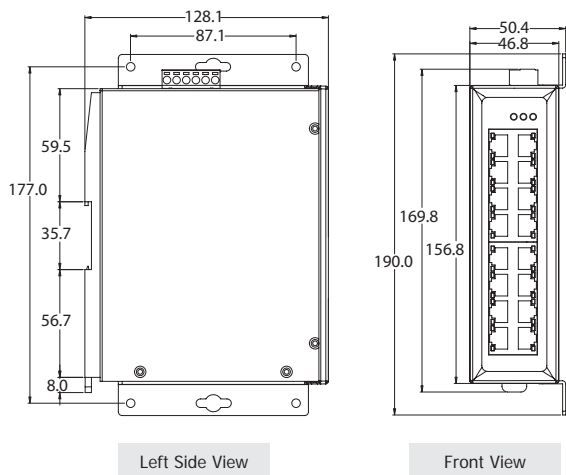
| | |
|---------------------------|---|
| Interface | |
| RJ-45 Ports | 10/100 Base-TX auto negotiation speed, F/H duplex mode, and auto MDI/MDI-X connection |
| LED Indicators | PWR1, PWR2, Power fail, 10/100M, Link/Act |
| Ethernet Isolation | 1500 V _{rms} 1 minute |
| Power | |
| Redundant Input Range | +12 V _{dc} ~ +48 V _{dc} (Non-isolated) |
| Power Consumption | 0.6 A @ 24 V _{dc} |
| Alarm Contact | One relay output with current carrying capacity of 1A @ 30 V _{dc} |
| Protection | Power reverse polarity protection |
| Connector | 6-Pin Removable Terminal Block (Power & Relay) |
| Mechanical | |
| Casing | Metal (IP30 Protection) |
| Dimensions (W x L x H) | 47 mm x 128 mm x 160 mm |
| Installation | DIN-Rail Mounting or Wall Mounting |
| Environmental | |
| Operating Temperature | -40 °C ~ +75 °C |
| Storage Temperature | -40 °C ~ +85 °C |
| Ambient Relative Humidity | 10 ~ 90% RH, non-condensing |

Redundant Power Input

Both power inputs can be connected simultaneously to live DC power sources. If one power source fails, the other live source will act as a backup, and automatically supplies all of NSM-216 series power needs.



Dimensions (Units: mm)



Ordering Information

| | |
|------------|--|
| NSM-216 CR | Unmanaged 16-port Industrial 10/100 Base-TX Ethernet Switch with metal casing (RoHS) |
|------------|--|

Accessories

| | |
|--------------|---|
| MDR-20-24 | 24 V/1 A, 24 W Power Supply with DIN-Rail Mounting |
| DIN-KA52F | 24 V/1.04 A, 25 W Power Supply with DIN-Rail Mounting |
| DIN-KA52F-48 | 48 V/0.52 A, 25 W Power Supply with DIN-Rail Mounting |