

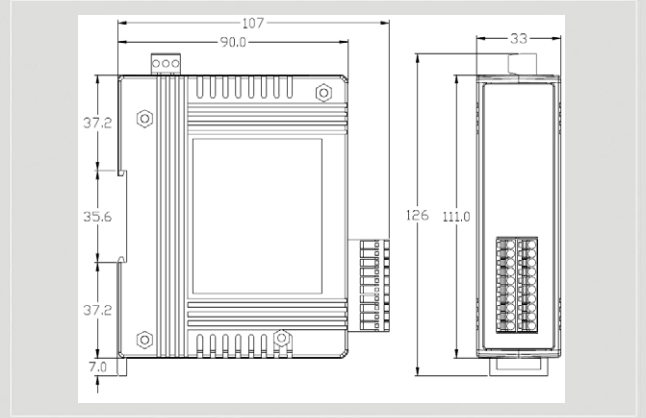


EtherNet/IP Series Products

Isolated 8-ch DIFF/16-ch S.E. AI EtherNet/IP module



EIP-2017



Dimensions

The EIP-2017 is an 8-ch Differential and 16-ch Single-Ended AI module. The module provides a jumper to switch Differential and Single-Ended mode. It supports voltage and current input type. The accuracy of the measurement is smaller than 0.1% FSR. The Module is designed as an EtherNet/IP adapter. Users can obtain the input status as well as the connection status of the EIP-2017 by the LEDs indication. In addition, ICPDAS provides software utility to easily configure and test the EIP-2000 modules via Ethernet.

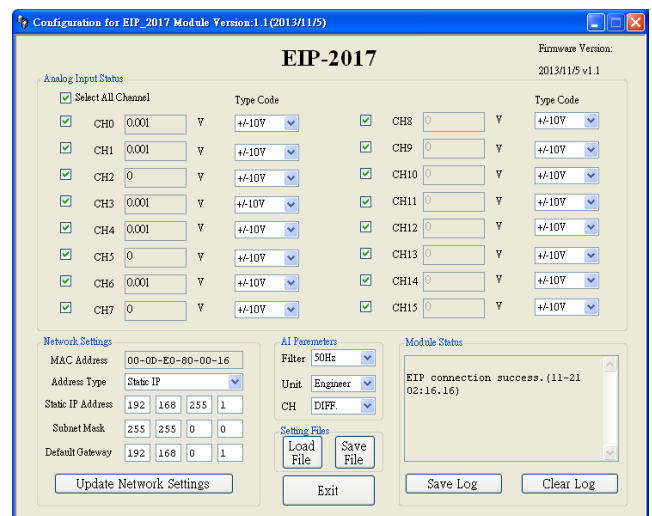
Features

- Transfer protocol: EtherNet/IP
- Powerful 32-bit MCU handles efficient network traffic
- 10/100 Base-TX Ethernet, RJ-45 x 2 (Auto-negotiating, auto MDI/MDIX, LED Indicators)
- Support ARP, TCP, UDP, ICMP, DHCP, BOOTP and TFTP protocols
- Easy firmware update via Ethernet
- Removable terminal block connector
- LED display to indicate the I/O status
- Analog Input
 - Differential: 8 Channels
 - Single-Ended: 16 Channels
- Internal resistors (125Ω) selectable for Differential mode
- RoHS compliant

Utility Features

ICPDAS provides the EIP-2000 configuration utility for Windows 2K/XP/Vista and Win 7.

- Network parameters configuration
- AI parameters configuration
- Functions configuration such as Type Code selection.
- Easy test to transmit/receive the I/O status by EtherNet/IP
- Setting files management



Wire connection

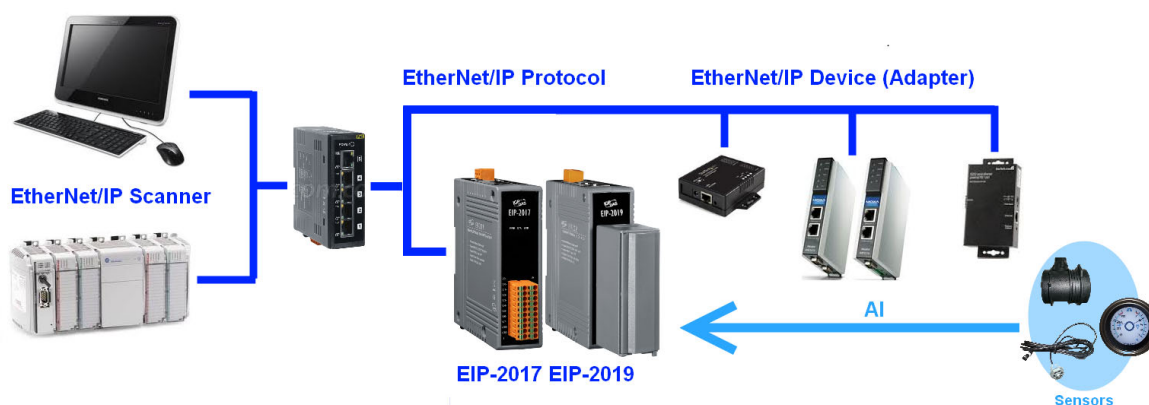
AI	Voltage Input Wiring	Current Input Wiring
DIFF.		
S.E.		



Hardware Specifications

Analog Input	
Channels	8-ch differential or 16-ch single-ended (Jump selectable)
Input Type	Voltage : ± 150 mV, ± 500 mV, ± 1 V, ± 5 V, ± 10 V
	Current : $0 \sim +20$ mA, $+4 \sim +20$ mA, ± 20 mA (Jumper Selectable in DIFF mode. An external resistor is required in SE mode)
Resolution	24bits
Sampling Rate	10 samples/ second
Accuracy	$\pm 0.1\%$
Zero Drift	± 20 uV/ $^{\circ}$ C
Span Drift	± 25 ppm/ $^{\circ}$ C
Input Impedance	Voltage Input: >400 k Ω , Current Input: 125 Ω
Intra-Module Isolation, Field-to-Logic	3000 VDC
Overvoltage protection	240 Vrms
Individual Channel Configuration	Yes
Communication Interface	
Connector	10/100 Base-TX, 8-pin RJ-45 x 2 Support daisy chain connection.
Standard Supported	IEEE 802.3 Ethernet/IP
Power	
Input Voltage Range	10V ~ 30V
Power Consumption	3.8W
Mechanism	
Installation	DIN-Rail
Dimensions	110mm x 90mm x 33mm (H x W x D)
Environment	
Operating Temperature	$-25 \sim 75$ $^{\circ}$ C
Storage Temperature	$-30 \sim 80$ $^{\circ}$ C

Applications



Ordering Information

EIP-2017 CR	Isolated 8-ch DIFF./16-ch S.E. AI EtherNet/IP Module (RoHS)
--------------------	---