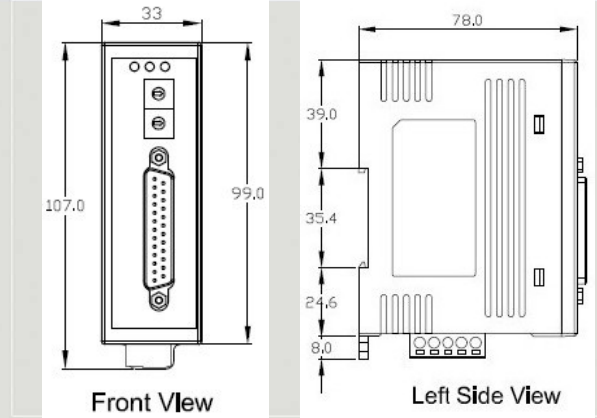


8-channel Thermocouple Input Module of CANopen Slave



CAN-2018C



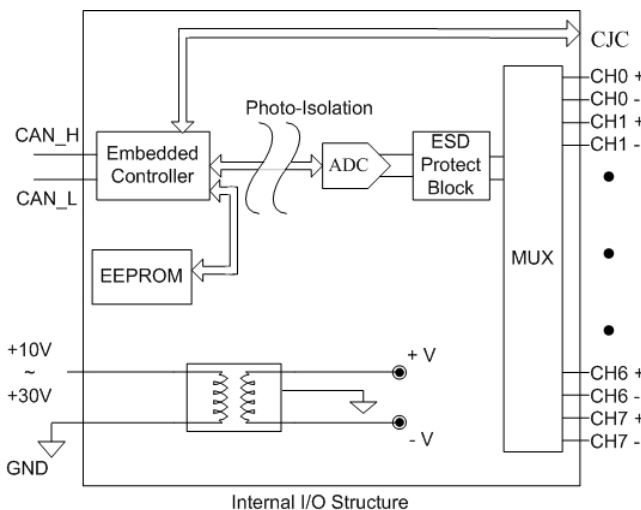
Dimensions

CAN-2018C module follows the CiA DS-301 version 4.02 and DSP-401 version 2.1. You can access the thermocouple input status and set the configuration by using standard CANopen protocol. CAN-2018C has passed the validation of the CiA CANopen conformance test tool. Therefore, you can use it with standard CANopen master easily by applying the EDS file. CAN-2018C has 8 differential thermocouple input channels. By the CANopen masters of ICP DAS, you can quickly build a CANopen network to approach your requirement.

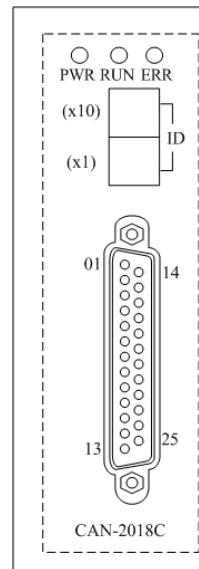
Features

- NMT Slave
- NMT Error Control support Guarding and Heartbeat
- Provide default EDS file
- Passed the validation of CiA CANopen conformance test tool
- ESD Protection 4 KV Contact for each channel
- Support Power Supply +10 ~ +30 V_{DC}
- Support CiA DS-301 v4.02, DSP-401 v2.1
- Support Dynamic PDO

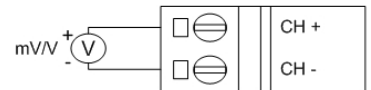
Internal I/O Structure



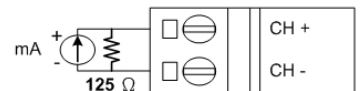
I/O Pin & Wire Connection



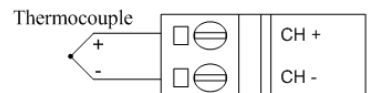
Voltage Input Wiring



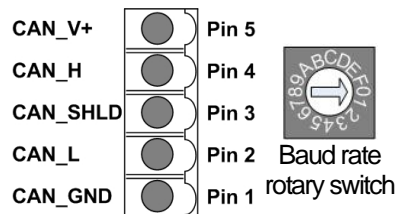
Current Input Wiring



Thermocouple Input Wiring



CAN Pin & Baud Rate Rotary

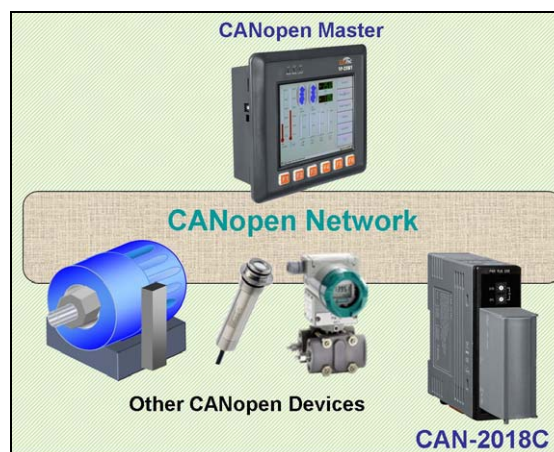
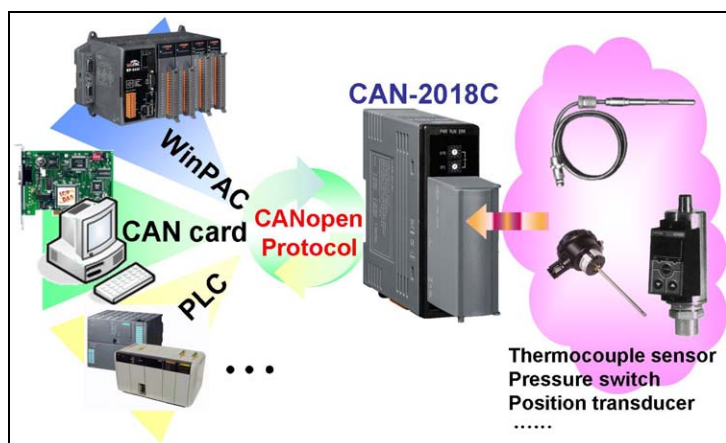


Switch Value	Baud Rate
0	10 kbps
1	20 kbps
2	50 kbps
3	125 kbps
4	250 kbps
5	500 kbps
6	800 kbps
7	1000 kbps

Hardware Specifications

CAN Interface	
Connector	5-pin screwed terminal block (CAN_GND, CAN_L, CAN_SHLD, CAN_H, CAN_V+)
Baud Rate (bps)	10 k, 20 k, 50 k, 125 k, 250 k, 500 k, 800 k, 1M
Terminal Resistor	Switch for 120 Ω terminal resistor
Node ID	1~99 selected by rotary switch
Protocol	CANopen DS-301 ver4.02, DS-401 ver2.1
No. of PDOs	10 Rx, 10 Tx (support dynamic PDO)
PDO Mode	Event Triggered, Remotely requested, Cyclic and acyclic SYNC
Error Control	Node Guarding protocol and Heartbeat Producer protocol
Emergency Message	Yes
Analogue Input	
Channels	8 Differential
Input Type	+/-15mV, +/-50mV, +/-100mV, +/-500mV, +/-1V, +/-2.5V -20mA ~ +20mA (Requires Optional External 125 Ω Resistor) Thermocouple (J, K, T, E, R, S, B, N, C)
Resolution	16-bit
Accuracy	+/-0.1% FSR
ESD Protection	4 kV Contact for each channel
LED	
Round LED	PWR LED, RUN LED, ERR LED
Power	
Input range	Unregulated +10 ~ +30 V _{DC}
Power Consumption	1.5 W
Mechanism	
Installation	DIN-Rail
Dimensions	32.3 mm x 99 mm x 78 mm (W x L x H)
Environment	
Operating Temp.	-25 ~ 75 °C
Storage Temp.	-30 ~ 80 °C
Humidity	10 ~ 90% RH, non-condensing

Applications



Ordering Information

CAN-2018C/S	CANopen Slave Module of 8-channel Thermocouple Input Include CAN-2018C module and a CN-1824 daughter board
--------------------	---