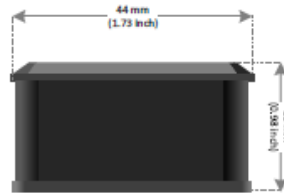


## 7090 Relay Output Module 2 Port- 5A

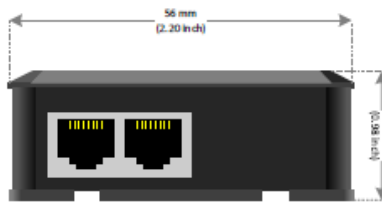
Exagate SYSGuard 7090 Relay Output Module 2 Port- 5A which are used with Exagate Environmental Monitoring System main devices.

### Dimensions

#### Front Panel View



#### Right Panel View



#### Left Panel View



#### Top Panel View



#### Rear Panel View



#### Head Office

A: Yeşilce Mh. Doğa Sk. Kökten Plaza No:6 Kat:2 34418 Kağıthane- İstanbul  
T: +90 212 275 73 22 F: +90 212 275 73 66  
E: info@exagate.com

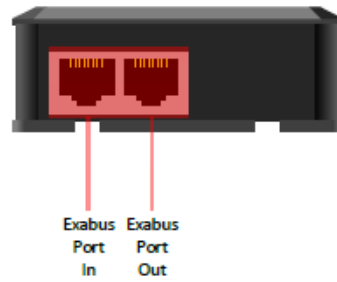
#### Support

support@exagate.com

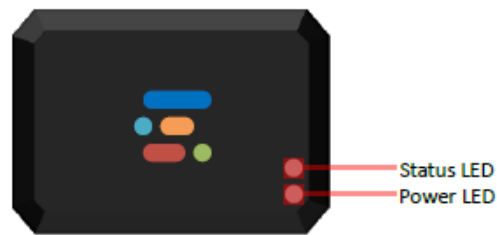


## Dimensions

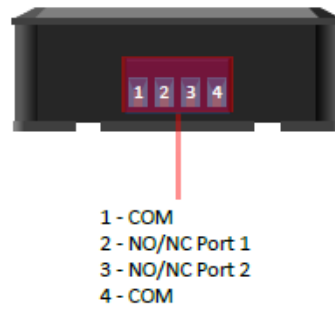
Right Panel View



Top Panel View



Left Panel View



### Operational Properties

Power Supply Voltage	10,5 - 14,4 VDC typical 12 VDC
Power Consumption	0,220 - 0,240 A typical 0,230 A 2,30 – 2,75 W typical 2,75 W
Operational Temperature Range	-25 +70 °C
Operational Humidity Range	0 - 85 % Rh
Storage Temperature Range	-40 +85 °C
Storage Humidity Range	0 - 90 % Rh

### Physical Properties

Dimensions (H x W x D)	56 x 44 x 25 mm 2,20 x 1.73 x 0.98 inches
Color	Black
Weight	200 (+/-5%) grams

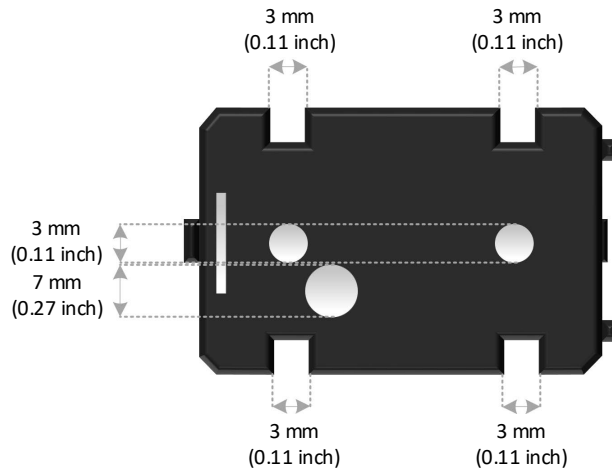
### Technical Properties

Current/Output	5 A
Maximum Distance from Main Unit	200 m
External Device Input	YES – 4 Units
Power Over ExaBus Port	YES
ExaBus Port	2 Unit
Power Over External Device	NO
Supported External Devices	YES – Devices that open-close management will be done by the system.
Supported Main Units	SYSGuard 4001, SYSGuard 7001

Sample Connection Diagram

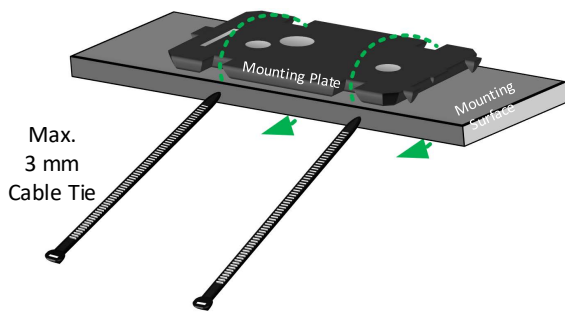
## SYSG7090 Assembly Walkthrough

### Montage Kit

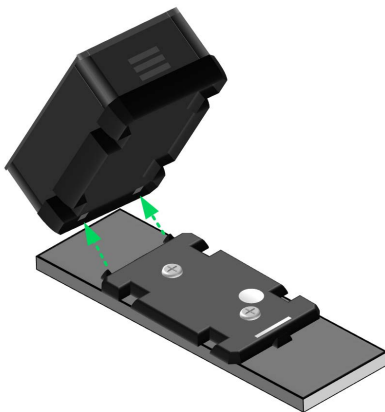


### STEP A

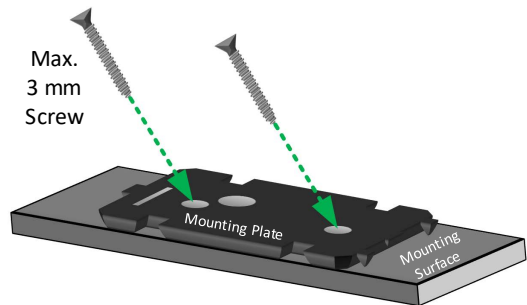
#### Mounting Type - 1



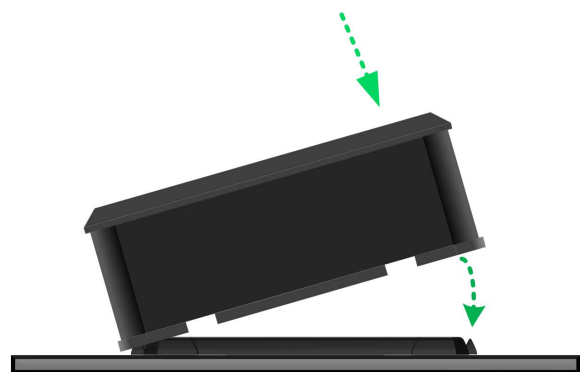
### STEP B



#### Mounting Type - 2



### STEP C



Insert sensor slots to mounting plates's notches

PRODUCT SKU #	BARCODE #	P/N	DESCRIPTION
SYSG7090	-	-	Relay Output Module 2 Port- 5A

### LIMITED WARRANTY

All ExaGate products are covered with 2 years limited guarantee from the date of original purchase. (Warranty duration may change depending on your country) Your sales or delivery receipt, showing the date of purchase of product is your proof of purchase. ExaGate is obliged to repair or replace the defective hardware (or any part of it's) with no charge to owner.

#### Conditions Void of Warranty

- Damages on unit, cable or screen.
- Defections due to electrical wiring and/or city network.
- Interference to unit by non-authorized staff.
- Any problems caused by act of nature.
- Misusage of unit stated by the user manual.
- Removal or destruction of serial number, warranty labels.
- Any kind of modifications on unit.