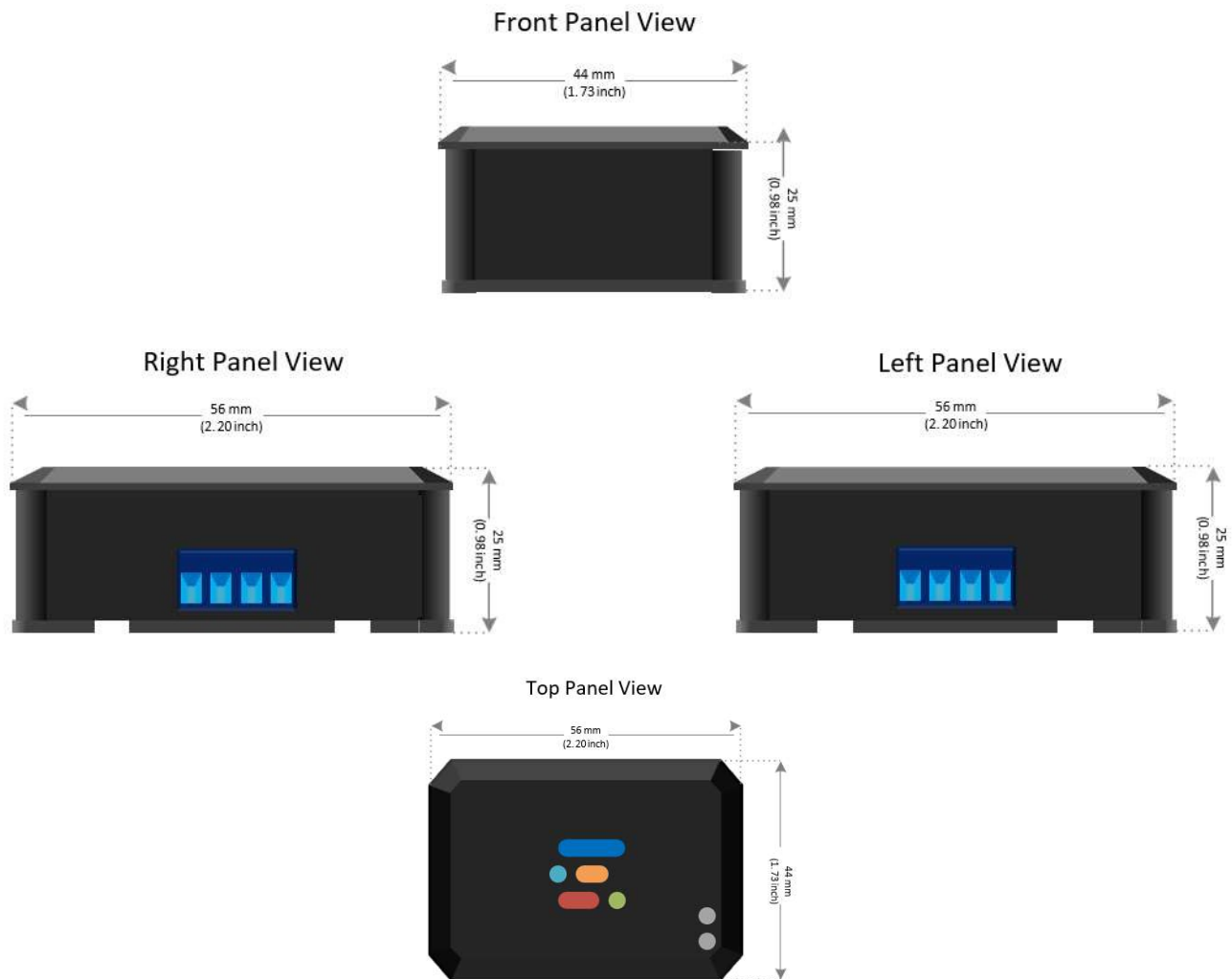


## SYSGuard 7050 Power Failure Module

Exagate SYSGuard 7050 Power Failure Module which are used with Exagate Environmental Monitoring System main devices ,continuously monitors the power supply detecting for interruptions and failures.

### Dimensions



#### Head Office

A: Yeşilce Mh. Doğa Sk. Kökten Plaza No:6 Kat:2 34418 Kağıthane- İstanbul  
T: +90 212 275 73 22 F: +90 212 275 73 66  
E: info@exagate.com

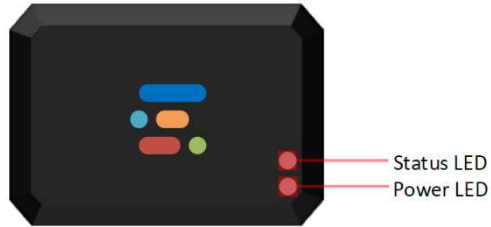
#### Support

support@exagate.com



## Dimensions

Top Panel View



Left Panel View



- 1 - COM
- 2 - PORT 1
- 3 - PORT 2
- 4 - COM

Left Panel View



- 1 - Line 220V
- 2 - Neutral
- 3 - Line 220V
- 4 - Neutral

## Operational Properties

Power Supply Voltage	10,5 - 14,4 VDC typical 12 VDC
Power Consumption	0,015 - 0,022 A typical 0,018 A 0,150 - 0,320 W typical 0,220 W
Operational Temperature Range	-25 +85 °C
Operational Humidity Range	0 - 85 % Rh
Storage Temperature Range	-40 +85 °C
Storage Humidity Range	0 - 90 % Rh

## Physical Properties

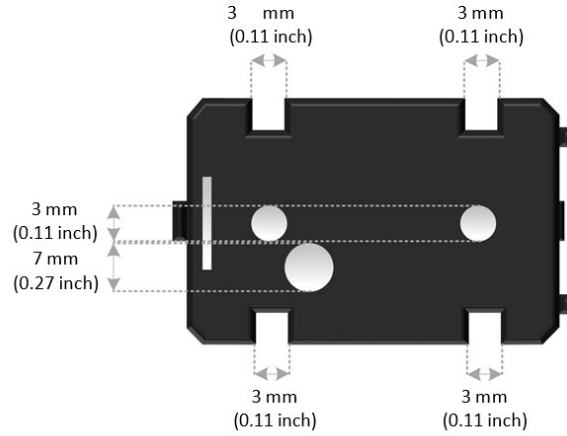
Dimensions (H x W x D)	56 x 44 x 25	mm
	2,20 x 1.73 x 0.98	inches
Color	Black	
Weight	200 (+/-5%) grams	

## Technical Properties

Voltage Measurement Range	90 - 220 V
Voltage Measurement Tolerance	1 - 5 V
Frequency Measurement Range	40 - 60 Hz
Maximum Distance from Main Unit	200 m
External Device Input	NO
Power Over ExaBus Port	NO
ExaBus Port	NO
Power Over External Device	NO
Supported Main Units	SYSGuard 4001, SYSGuard 7001

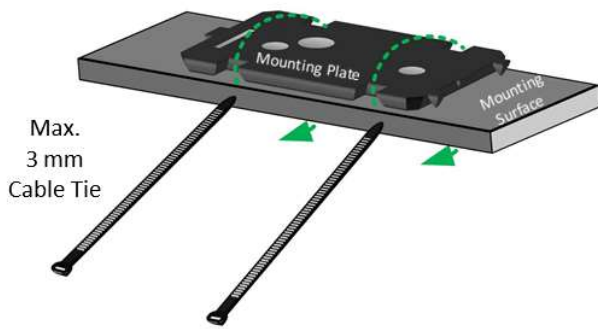
## Sample Connection Diagram

### Montage Kit

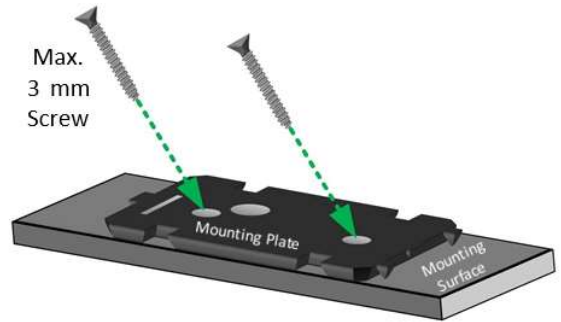


### STEP A

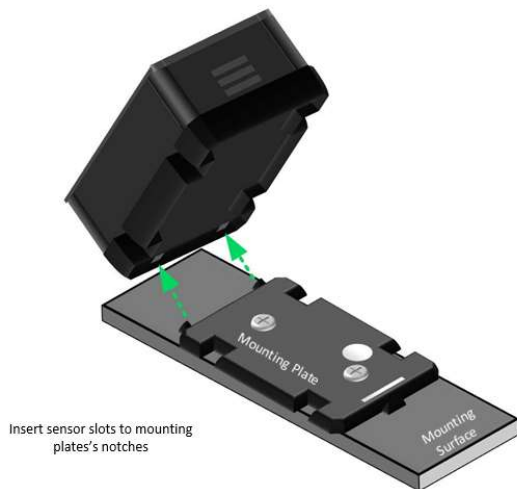
#### Mounting Type - 1



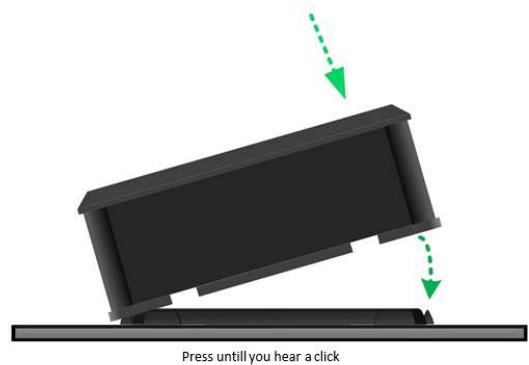
#### Mounting Type - 2



### STEP B



### STEP C



PRODUCT SKU #	BARCODE #	P/N	DESCRIPTION
SYSG7050	-	-	Power Failure Module

### LIMITED WARRANTY

All ExaGate products are covered with 2 years limited guarantee from the date of original purchase. (Warranty duration may change depending on your country) Your sales or delivery receipt, showing the date of purchase of product is your proof of purchase. ExaGate is obliged to repair or replace the defective hardware (or any part of it's) with no charge to owner.

#### Conditions Void of Warranty

- Damages on unit, cable or screen.
- Defections due to electrical wiring and/or city network.
- Interference to unit by non-authorized staff.
- Any problems caused by act of nature.
- Misusage of unit stated by the user manual.
- Removal or destruction of serial number, warranty labels.
- Any kind of modifications on unit.