

SYSGuard 7040 s

a

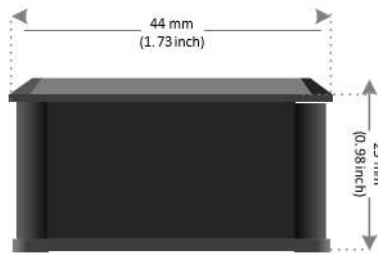
a

r

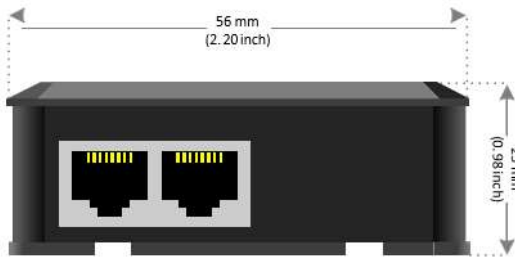
Exagate SYSGuard 7040 Single Phase Voltage FrequencyModule is a three-phase voltage, frequency module which are used with Exagate Environmental Monitoring System main devices.

Dimensions

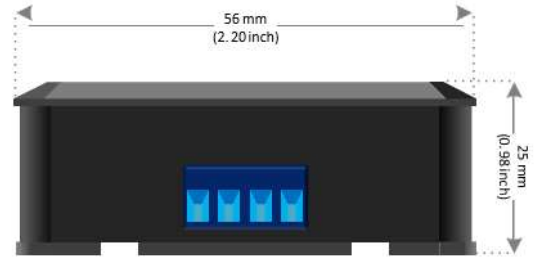
Front Panel View



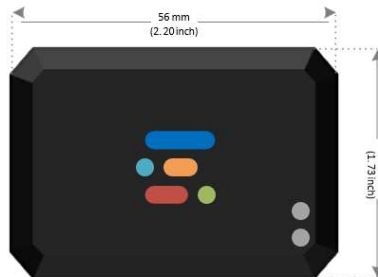
Right Panel View



Left Panel View

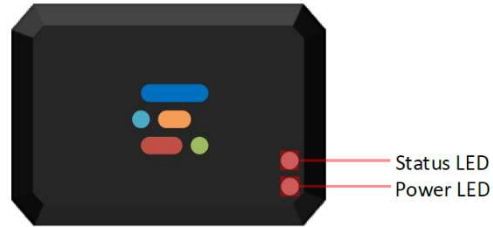


Top Panel View

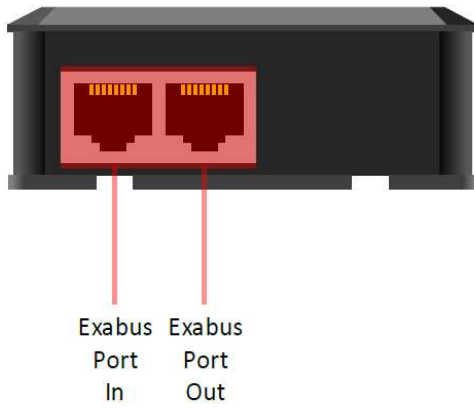


Dimensions

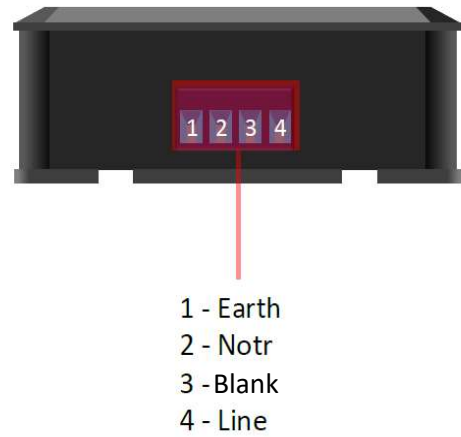
Top Panel View



Right Panel View



Left Panel View



Operational Properties

Power Supply Voltage	10,5 - 14,4 VDC typical 12 VDC
Power Consumption	0,015 - 0,022 A typical 0,018 A 0,150 - 0,320 W typical 0,220 W
Operational Temperature Range	-25 +85 °C
Operational Humidity Range	0 - 85 % Rh
Storage Temperature Range	-40 +85 °C
Storage Humidity Range	0 - 90 % Rh

Physical Properties

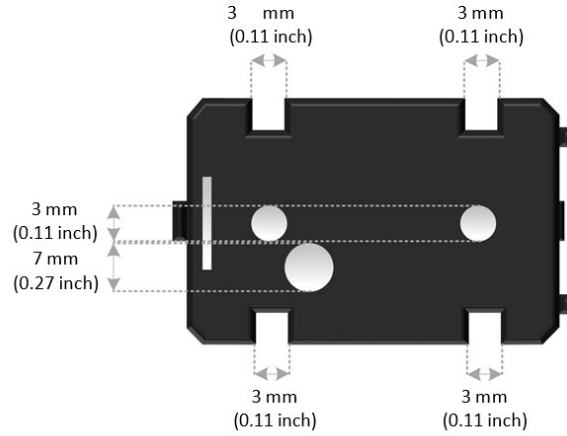
Dimensions (H x W x D)	56 x 44 x 25 mm 2,20 x 1.73 x 0.98 inches
Color	Black
Weight	200 (+/-5%) grams

Technical Properties

Voltage Measurement Range	90 - 250 V
Voltage Measurement Tolerance	1 - 5 V
Frequency Measurement Range	40 - 60 Hz
Maximum Distance from Main Unit	100 m
External Device Input	NO
Power Over ExaBus Port	YES
ExaBus Port	1 Unit
Supported Main Units	SYSGuard 4001, SYSGuard 7001

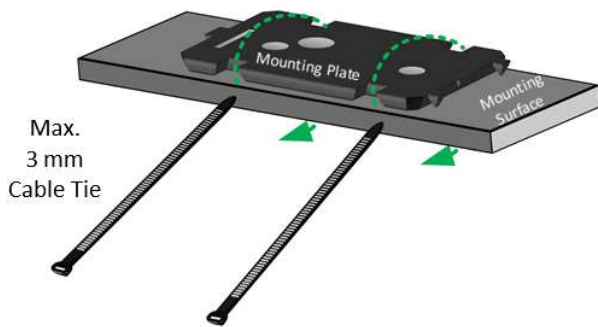
Sample Connection Diagram

Montage Kit

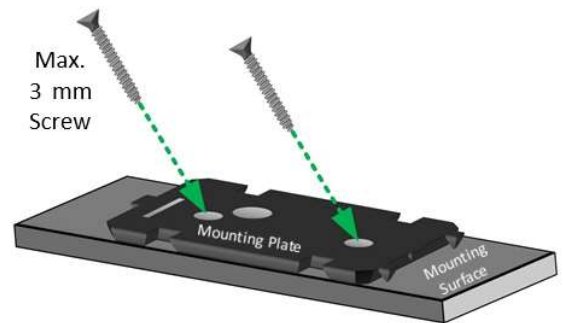


STEP A

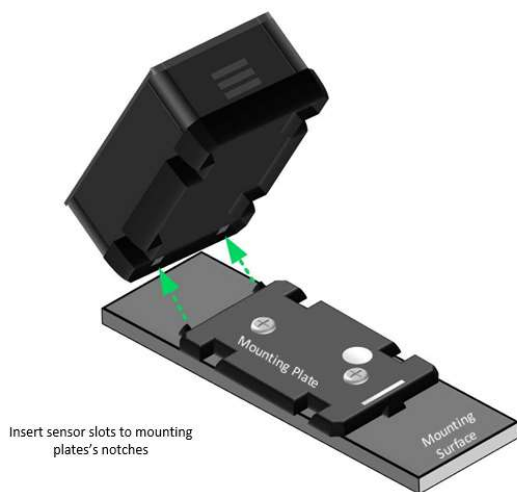
Mounting Type - 1



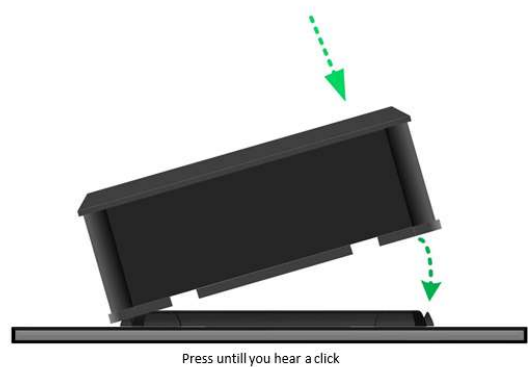
Mounting Type - 2



STEP B



STEP C



PRODUCT SKU #	BARCODE #	P/N	DESCRIPTION
SYSG7040	-	-	Threephase VF Sensor

LIMITED WARRANTY

All ExaGate products are covered with 2 years limited guarantee from the date of original purchase. (Warranty duration may change depending on your country) Your sales or delivery receipt, showing the date of purchase of product is your proof of purchase. ExaGate is obliged to repair or replace the defective hardware (or any part of it's) with no charge to owner.

Conditions Void of Warranty

- Damages on unit, cable or screen.
- Defections due to electrical wiring and/or city network.
- Interference to unit by non-authorized staff.
- Any problems caused by act of nature.
- Misusage of unit stated by the user manual.
- Removal or destruction of serial number, warranty labels.
- Any kind of modifications on unit.