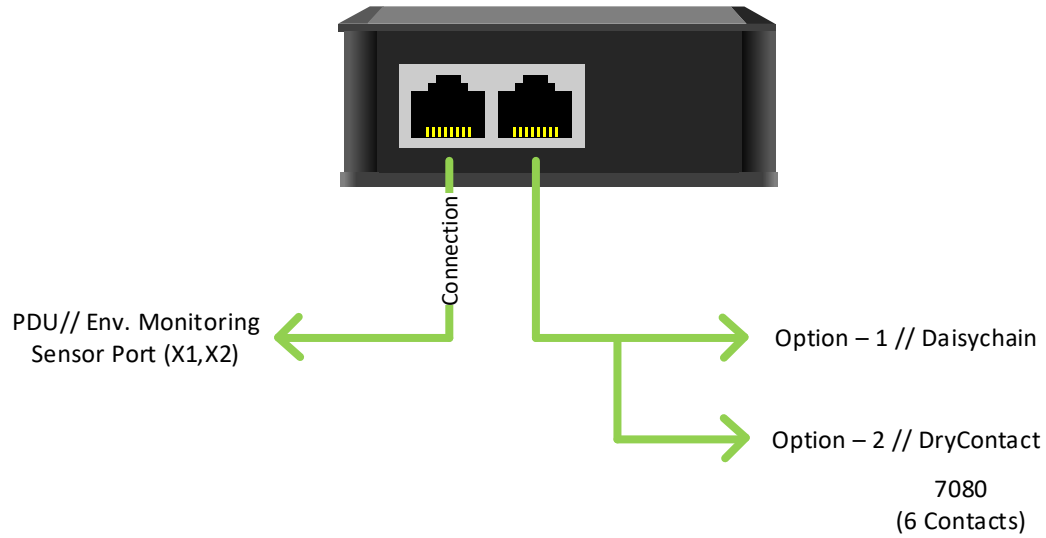


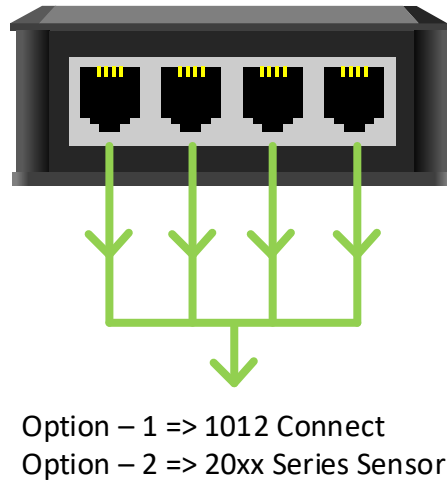
SYSG7011 Temperature & Humidity Sensor Extension Ports



Right Panel View



Left Panel View



Operational Properties

Power Supply Voltage	4,5 - 12 VDC
Power Consumption	0,005 - 0,007 A typical 0,006 A 0,0525 - 0,10 W typical 0,072 W
Operational Temperature Range	-25 +70 °C
Operational Humidity Range	0 - 85 % Rhv
Storage Temperature Range	-40 +85 °C
Storage Humidity Range	0 - 90 % Rh

Physical Properties

Dimensions (H x W x D)	56x44x25 mm 2.20x1.73x0.98 inch
Color	Black
Weight	60 (+/- 5%) grams

Technical Properties

Temperature Measurement Range	-25 +70 °C
Temperature Measurement Tolerance	+/- 0,2 °C
Temperature Measurement Resolution	0,1 °C
Humidity Measurement Range	0 - 90 % Rh
Humidity Measurement Tolerance	%0,5 Rh
Humidity Measurement Resolution	%0,1 Rh
Maximum Distance from Main Unit	200 m
External Device Input	NO
Power Over ExaBus Port	YES
Power Over External Device	NO

Head Office

A: Yeşilce Mh. Doğa Sk. Kökten Plaza No:6 Kat:2 34418 Kağıthane - İstanbul
T: +90 212 275 73 22 F: +90 212 275 73 66
E: info@exagate.com

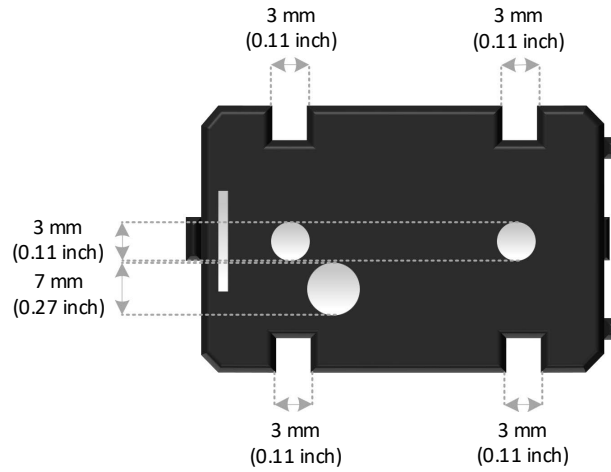
Support

support@exagate.com



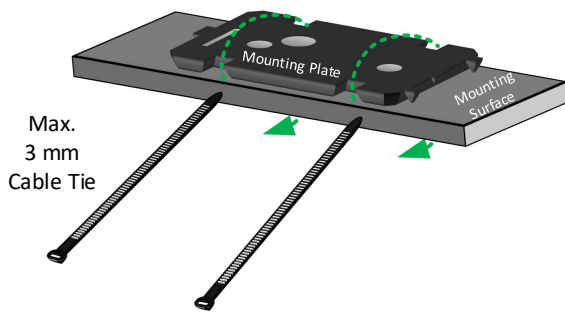
SYSG7011 Assembly Walkthrough

Montage Kit



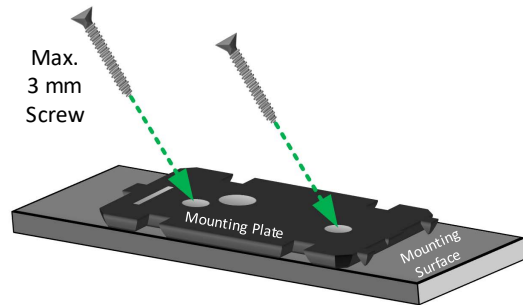
STEP A

Mounting Type - 1

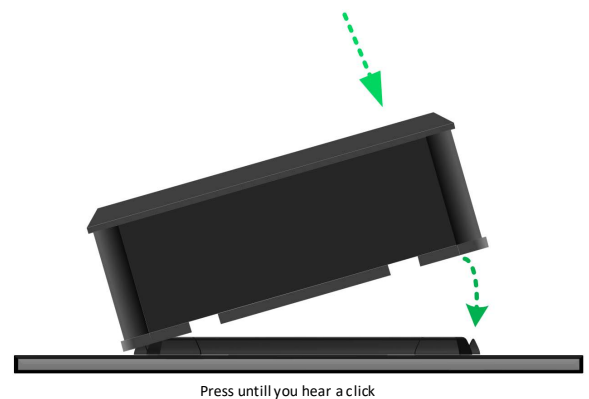
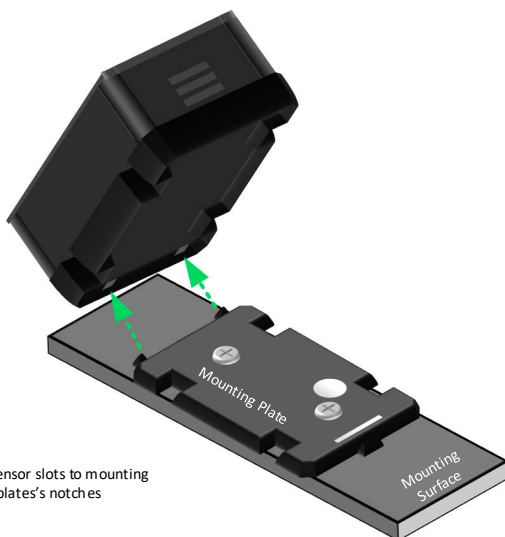


STEP B

Mounting Type - 2

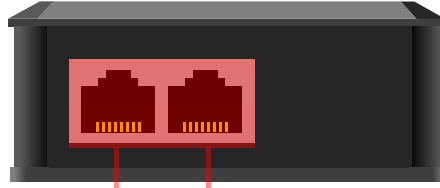


STEP C



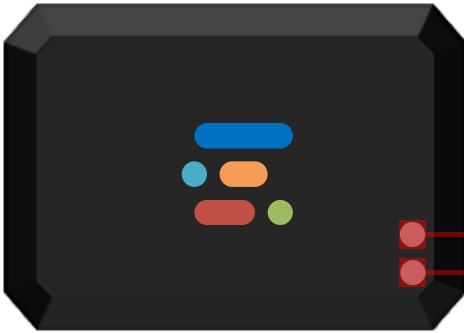
Dimensions

Right Panel View



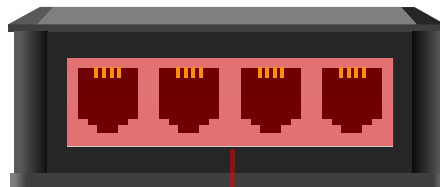
Exabus Port In Exabus Port Out

Top Panel View



Status LED
Power LED

Left Panel View



Sysg1012 Ports

Head Office

A: Yeşilce Mh. Doğa Sk. Kökten Plaza No:6 Kat:2 34418 Kağıthane - İstanbul
T: +90 212 275 73 22 F: +90 212 275 73 66
E: info@exagate.com

Support

support@exagate.com



PRODUCT SKU #	BARCODE #	P/N	DESCRIPTION
SYSG7011	8697270920521	7270SE21012	Temperature & Humidity Sensor Extension Ports

Supported Units	SYSG4001,SYSG7001, IP PDU
-----------------	---------------------------

LIMITED PRODUCT WARRANTY

All Exagate products are covered with 2 years limited guarantee from the date of original purchase. (Warranty duration may change depending on your country) Your sales or delivery receipt, showing the date of purchase of product is your proof of purchase. Exagate is obliged to repair or replace the defective hardware (or any part of it's) with no charge to owner.

Conditions Void of Warranty

- Damages on unit, cable or screen.
- Defections due to electrical wiring and/or city network.
- Interference to unit by non-authorized staff.
- Any problems caused by act of nature.
- Misusage of unit stated by the user manual.
- Removal or destruction of serial number, warranty labels.
- Any kind of modifications on unit.

Head Office

A: Yeşilce Mh. Doğa Sk. Kökten Plaza No:6 Kat:2 34418 Kağıthane - İstanbul
T: +90 212 275 73 22 F: +90 212 275 73 66
E: info@exagate.com

Support

support@exagate.com

