

## SYSGUARD 4001 MAIN UNIT

### Overview



# *SYSGUARD 4001 Main Unit*

SYSGuard 4001, which is the compact solution of SYSGuard Environment Monitoring and Management Systems, controls system rooms with different sizes.

## **Monitoring**

Temperature, humidity, leakage, air flow, vibration, electricity values that should be monitored and managed in a system rooms or critical facilities

## **Setting Alarms**

In case any of values monitored are out of minimum-maximum values defined by administrator, system gives alarm and informs predefined employee via either an e-mail, SMS, voice call, SNMP Trap or siren.

## **Management**

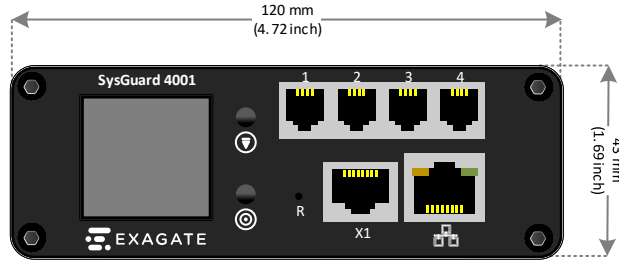
Received alarms are integrated with the management functions and controlled without causing any remarkable loss.

## **Reporting**

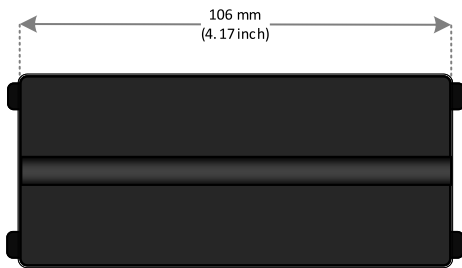
All monitoring, alarm and management functions in the system are recorded and an archive file is generated. An analysis is made retrospectively and IT budgets are controlled accordingly.

## Dimensions

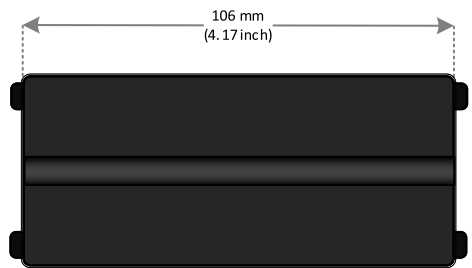
### Front Panel View



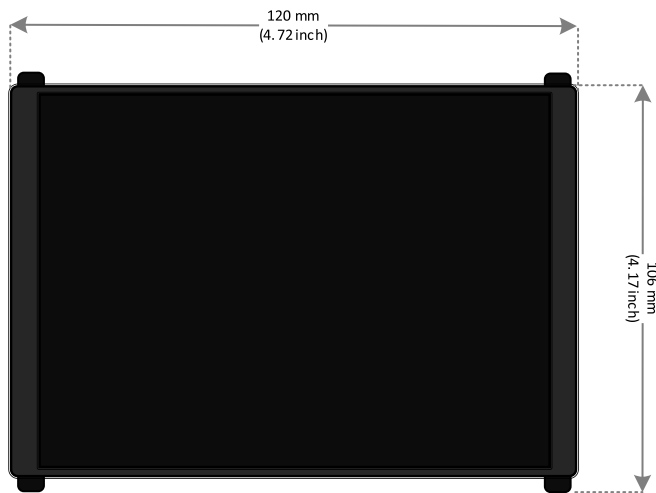
### Right Panel View



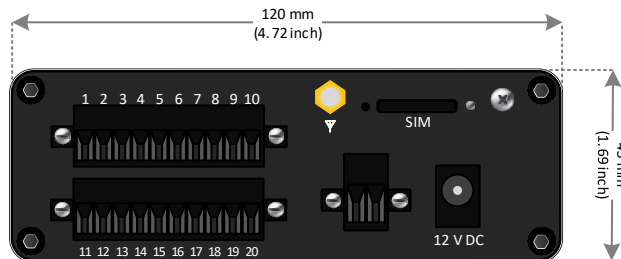
### Left Panel View



### Top Panel View



### Rear Panel View



#### Head Office

A: Yeşilce Mh. Doğa Sk. Kökten Plaza No:6 Kat:2 34418 Kağıthane - İstanbul  
T: +90 212 275 73 22 F: +90 212 275 73 66  
E: [info@exagate.com](mailto:info@exagate.com)

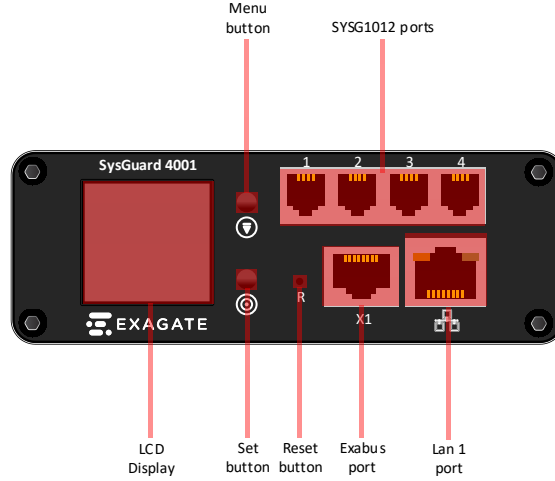
#### Support

[support@exagate.com](mailto:support@exagate.com)

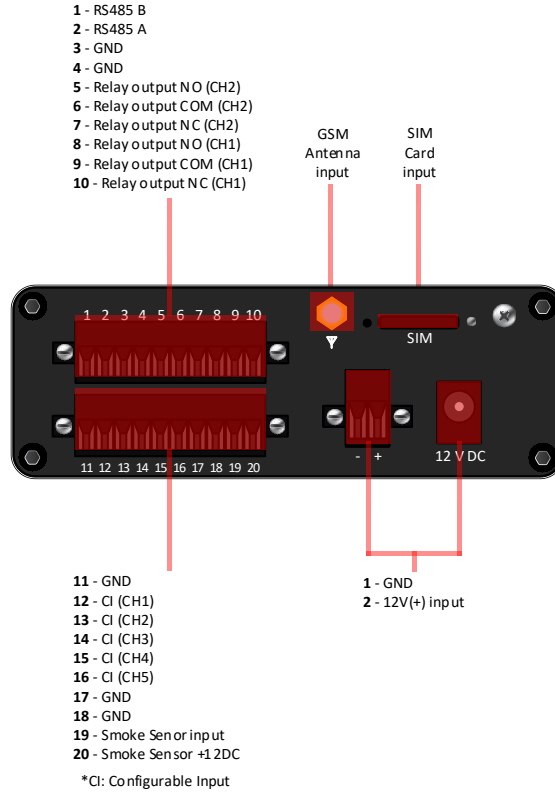


## Technical Specifications

### Front Panel View



### Rear Panel View



#### Head Office

A: Yeşilce Mh. Doğa Sk. Kökten Plaza No:6 Kat:2 34418 Kağıthane - İstanbul  
 T: +90 212 275 73 22 F: +90 212 275 73 66  
 E: info@exagate.com

#### Support

support@exagate.com



### Operational Properties

Power Supply Voltage	10,5 - 14,4 VDC typical 12 VDC
Power Consumption	0,22 - 0,36 A typical 0,24 A 2,64 - 4,62 W typical 2,88 W
Operational Temperature Range	-10 +70 °C
Operational Humidity Range	0 - 90 % Rh
Storage Temperature Range	-40 +85 °C
Storage Humidity Range	0 - 90 % Rh

### Physical Properties

Dimensions (H x W x D)	43x120x106 mm 1.69x4.72x4.17 inch
Color	Black
Weight	400 (+/- 5%) grams

### Internal Temperature & Humidity Sensor Properties

Temperature Measurement Range	-10 +70
Temperature Measurement Tolerance	+/- 0,2
Temperature Measurement Resolution	0,1
Humidity Measurement Range	0 - 85 % Rh
Humidity Measurement Tolerance	+/-2 % Rh
Humidity Measurement Resolution	%0,1 Rh
Maximum Distance from Main Unit	3 m

## Technical Properties

Power Supply	Redundant power supply function with 1 terminal type – 1 adapter type 12V Power supply input
CPU	Dual Core 580 Mhz CPU
RAM	128 MB
Storage	4 GB (Up to 16GB)
Alert	E-mail – SMS (Optional SMS with SYSG4002 / SMS + Voice Calling with SYSG4003) -SNMP-Trap
Display	128x128 PX 256K Color Display
Sensor Inputs	4 x Temp & Humidity Sensors
	1 x EXABUS input (for manufactured by Exagate Sensors)
	1 x Smoke Sensor Input
	5 x Configurable Inputs (Digital Input/ Analog Input ( 0-15V) / Flood detect cable input)
Sensor Outputs	2 x Relay Outputs (N/O – N/C max 5A)
	1 x RS485
	1 x 12V DC Output (for external sensors)
Communication	Optional 2G Module (SMS) / 4G Module (SMS – Voice Calling) and Network Back-up function
	1 x Ethernet port
	HTTPS-MODBUS TCP – SNMP – MQTT

Software Properties	32 pcs device or sensors which have RS485 Output can be connected directly SYSG4001
	Electricity meter can be connected directly to the SYSG4001
	Modbus devices with RS-485 output can be connected directly to the SYSG4001 also their values can be monitored and alarmed.
	SYSG4001 can be used RS485 to Ethernet converter

PRODUCT SKU #	BARCODE #	P/N	DESCRIPTION
SYSG4001	8697270920040	7270MU12005	MAIN UNIT

## LIMITED PRODUCT WARRANTY

All Exagate products are covered with 2 years limited guarantee from the date of original purchase. (Warranty duration may change depending on your country) Your sales or delivery receipt, showing the date of purchase of product is your proof of purchase. Exagate is obliged to repair or replace the defective hardware (or any part of it's) with no charge to owner.

### Conditions Void of Warranty

- Damages on unit, cable or screen.
- Defections due to electrical wiring and/or city network.
- Interference to unit by non-authorized staff.
- Any problems caused by act of nature.
- Misusage of unit stated by the user manual.
- Removal or destruction of serial number, warranty labels.
- Any kind of modifications on unit.

#### Head Office

A: Yeşilce Mh. Doğa Sk. Kökten Plaza No:6 Kat:2 34418 Kağıthane - İstanbul  
T: +90 212 275 73 22 F: +90 212 275 73 66  
E: info@exagate.com

#### Support

support@exagate.com

