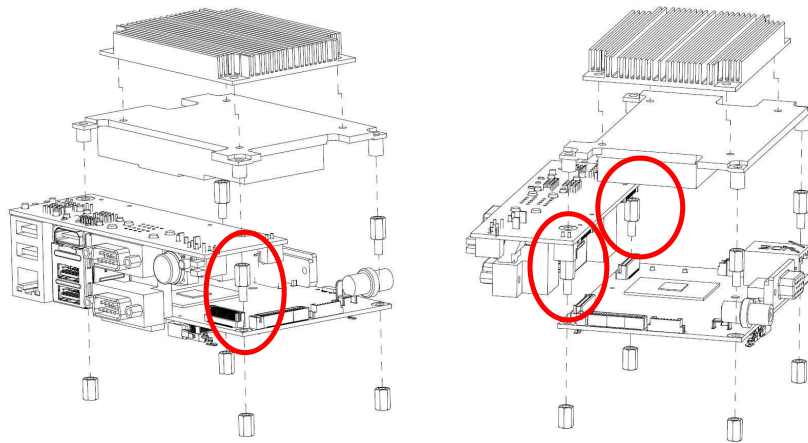


Assembly Drawing



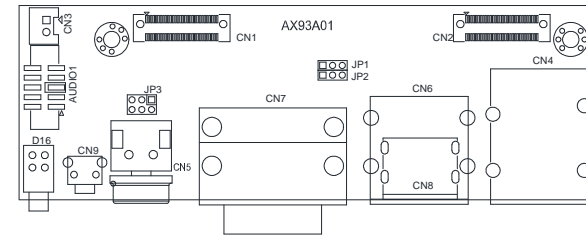
Note: The two 8mm height copper M-F hex stand-offs (P/N: 79380363600E) which are circled are placed in the AX93A01 gift box. Please use them to ensure AX93A01 fully installed on Pico-ITX board.

AX93A01 Quick Installation Guide

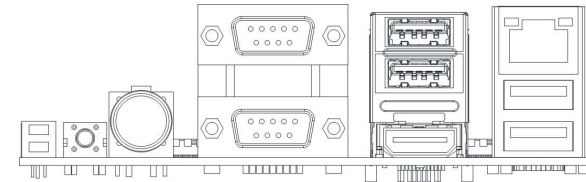
Checklist

- ✓ I/O Board x1
- ✓ Quick Installation Guide x1
- ✓ Copper M-F hex stand-off x2
- ✓ Screw x2

Board Layout

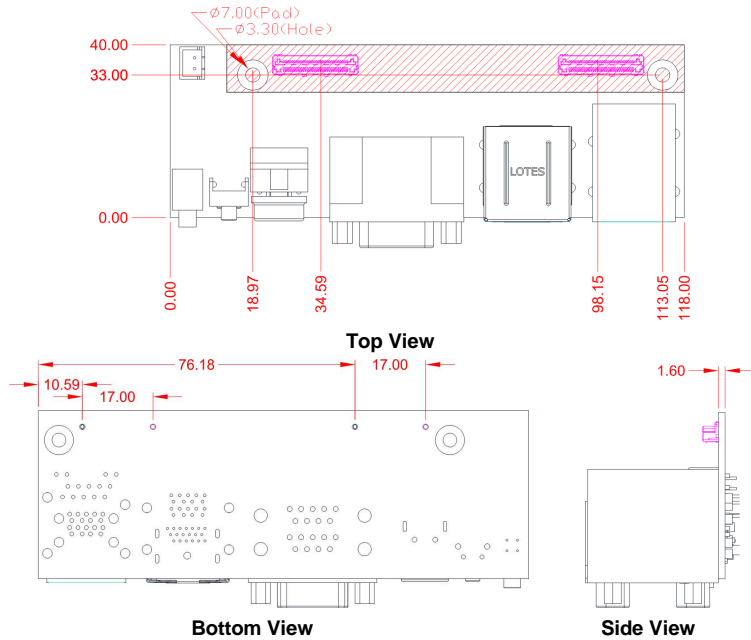


Top View



Side View

Board Dimensions and Fixing Holes



Jumper Settings

Before applying power to the AX93A01, please make sure all of the jumpers are in factory default positions.

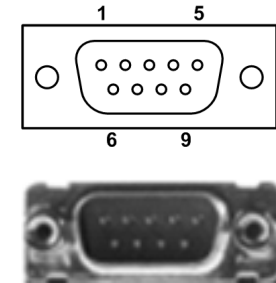
Jumper	Description	Setting	
JP1	USB port 0 and 1 Power Selection	+5V_SBY (Default)	1-2 Close
		+5V	2-3 Close
JP2	USB port 2 and 3 Power Selection	+5V_SBY (Default)	1-2 Close
		+5V	2-3 Close
JP3	COM1 Data/Power Selection	Power: Set COM1 pin 9 to +12V level	1-3 Close
		RS-232 Data: Set COM1 pin 9 to RI (Default)	3-5 Close
		Power: Set COM1 pin 1 to +5V level	2-4 Close
		RS-232 Data: Set COM1 pin 1 to DCD (Default)	4-6 Close

Connectors

Connector	Description
CN1	Board to Board Connector 1 (Low Speed Signal)
CN2	Board to Board Connector 2 (High Speed Signal)
CN3	+5V Fan Power Connector
CN4	LAN and USB 3.0 Port 0~1 Connector
CN5	System Power Switch
CN6	USB 3.0 Port 2~3
CN7	COM1 (Upper) and COM2 (Lower) Connector
CN8	HDMI Connector
CN9	System Reset Switch
AUDIO1	Audio Connector
D16	Power and HDD LED Indicator

COM1 Connector (CN7)

Pin	RS-232	RS-422	RS-485
1	DCD	TX-	Data-
2	RXD	TX+	Data+
3	TXD	RX+	No use
4	DTR	RX-	No use
5	GND	No use	No use
6	DSR	No use	No use
7	RTS	No use	No use
8	CTS	No use	No use
9	RI	No use	No use



Audio Connector (AUDIO1)

Pin	Signal	Pin	Signal
1	MIC_IN	2	GND
3	LINE_IN_L	4	GND
5	LINE_IN_R	6	GND
7	AUDIO_OUT_L	8	GND
9	AUDIO_OUT_R	10	GND

