

PPC-3150SW

15.6" Fanless Widescreen Panel PC with Intel® Pentium® N4200 Quad-Core Processor



Features

- 15.6" true-flat WXGA TFT LCD with projected capacitive touch control
- Fanless design with low power consumption
- Supports 1 x internal 2.5" SATA HDD and 1 x mSATA
- Configurable RS-232/422/485 ports via BIOS
- Automatic data flow control over RS-485
- Wide range DC support (12 ~ 24 V_{DC})
- Supports dual displays
- IP65-rated front panel



Introduction

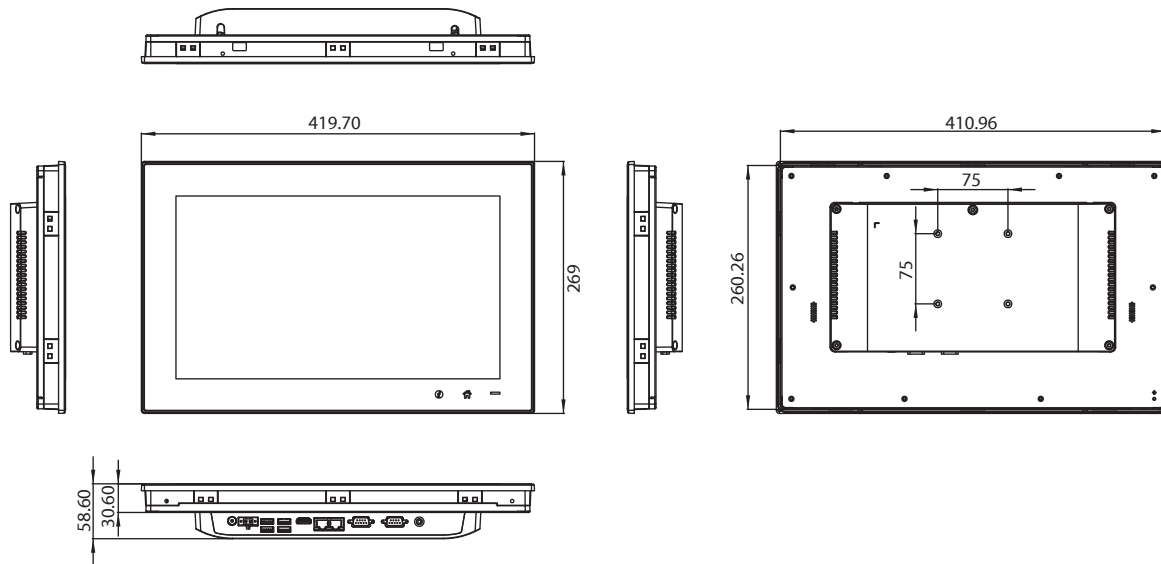
The PPC-3150SW is a high-value, ultra-slim panel PC equipped with a 15.6" WXGA TFT LCD, and low-power Intel® Pentium® N4200 quad-core, 1.1 GHz, processor to provide high-performance computing in a compact and fanless system. For high durability and functionality, the PPC-3150SW features an IP65-rated front panel, multi-touch projected capacitive touchscreen, die cast aluminum alloy enclosure, two serial ports, four USB ports, and two GbE LAN ports, making it suitable for diverse industrial applications.

Specifications

System	CPU	Intel® Pentium® N4200 quad core
	Frequency	1.1GHz, turbo boot to 2.5GHz.
	L2 Cache	3 MB
	Memory	1 x SODIMM, DDR3L 1600/1866, max. 8 GB
	Storage	1 x 2.5" SATA bay (optional; requires a bracket module for installation) 1 x mSATA bay
	Network (LAN)	2 x 10/100/1000 Mbps Ethernet (Intel I211-AT)
	I/O	2 x Serial ports: 1 x RS-232, 1 x RS-232/422/485 2 x USB 3.0, 2 x USB 2.0 1 x Line-out 1 x HDMI
	Expansion	1 x Mini PCIe
	Watchdog Timer	255 timer levels, set up by software
Speaker	2 x 1W	
Physical Characteristics	Dimensions	419.7 x 269 x 58.6 mm (16.52 x 10.59 x 2.3 in)
	Weight	4.7 kg (10.36 lb)
OS Support	OS Support	Microsoft® Windows 10(64-bit), Windows 10 IOT LTSC, Linux, Android 8.1
Power Consumption	Input Voltage	12 ~ 24 V _{DC}
	Power Consumption	33W
LCD	Display Type	15.6" TFT LCD (LED backlight)
	Max. Resolution	1366 x 768
	Viewing Angle	85 (Left), 85 (Right), 80 (Up), 80 (Down)
	Luminance (cd/m ²)	400
	Contrast Ratio	500
	Backlight Lifetime	50,000 hr (min.)
Touchscreen	Touch Type	Multi-touch projected capacitive
	Light Transmission	90% ± 2%
	Controller	USB Interface
Environment	Operating Temperature	0 ~ 50 °C (32 ~ 122 °F) with SSD 0 ~ 40 °C (32 ~ 104 °F) with HDD
	Storage Temperature	-20 ~ 60 °C (-4 ~ 140 °F)
	Relative Humidity	10 ~ 95% @ 40 °C (Non-Condensing)
	Shock	Operating 10 G Peak Acceleration (11 ms Duration), Follows IEC 60068-2-27
	Vibration	Operating Random Vibration Test 5-500Hz, 1Grms @with HDD; 2Grms @with SSD, Follows IEC 60068-2-64
	EMC	CE, FCC Class B, BSMI, EN 60601-1-2
	Safety	CB, UL, CCC
Front Panel Protection	IP65 compliant	

Dimensions

Unit: mm

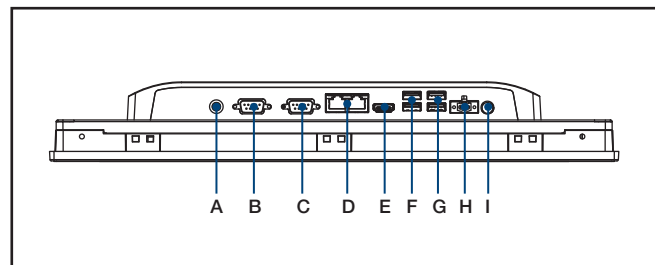


Panel Cutout Dimensions: 413 x 262 mm (16.25 x 10.31 in)

Ordering Information

Part Number	Description
PPC-3150SW-PN4A	15.6" Wide screen PPC with PCT Multi-touch, Intel Pentium® N4200 Quad-Core
PPC-3150SW-PN4AU	15.6" Wide screen PPC with PCT Multi-touch, Intel Pentium® N4200 Quad-Core, for U.S. only
PPC-3150SW-MART	15.6" Panel PC with Win 10 LTSC and N4200, 4G DDR3L, 64G SSD, 90W adapter
96PSA-A90W190T-3	A/D 100-240V 90W 19V C6 TERMINAL 2 PIN 62368
1700001524	POWER Cord 3P UL 10A 125V 180cm
170203183C	POWER Code 3P Europe (WS-010+083)183 cm
1700008921	POWER CORD 3P/3P POWER SUPPLY 1.8 M PSE
96CB-POWER-B-1.8MB	Power code 3P CCC(China) 1.8M
PPC-174T-WL-MTE	Wall mount kit for PPC series
PPC-STAND-A1E	Stand for PPC series
PPC-ARM-A03	ARM VESA Standard (A-CLEVER) for PPC series
PPC-WLAN-C1E	M.2 Wi-Fi Module with Antenna cable support 2T2R
PPC-HDD-N4200	HDD Bracket module for PPC-3150SW and PPC-3180SW

I/O View



- A. Line out
- B. COM1: RS-232
- C. COM2: RS-232/422/485
- D. 2 x LAN
- E. HDMI
- F. 2 x USB 3.0
- G. 2 x USB 2.0
- H. DC-In
- I. Power Switch

Please note: If some optional modules are offered with the system, additional system certificates may be required in certain regions/countries. Please contact Advantech for certificate compliance.