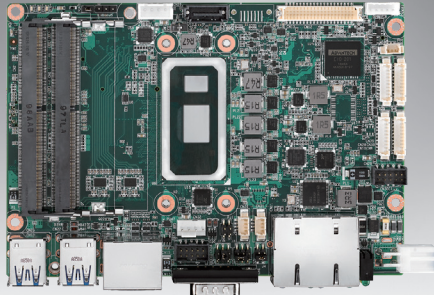


MIO-5373

8th Gen. Intel® Core i7/i5/i3/Celeron*
3.5" SBC w/ MIOe

NEW



Features

- 8th Gen. Intel Core Processor with Quad/Dual Cores, TDP 15W
- Dual Channel DDR4-2400 up to 32GB, onboard eMMC up to 64GB
- Triple simultaneous displays by 48-bit LVDS/eDP+HDMI+DP
- 2 GbE, 4 USB3.1, CAN Bus, M.2 B-Key 2280 supports NVMe, DC-in 12-24V
- iManager & SW APIs, WISE-PaaS/DeviceOn

Software APIs:

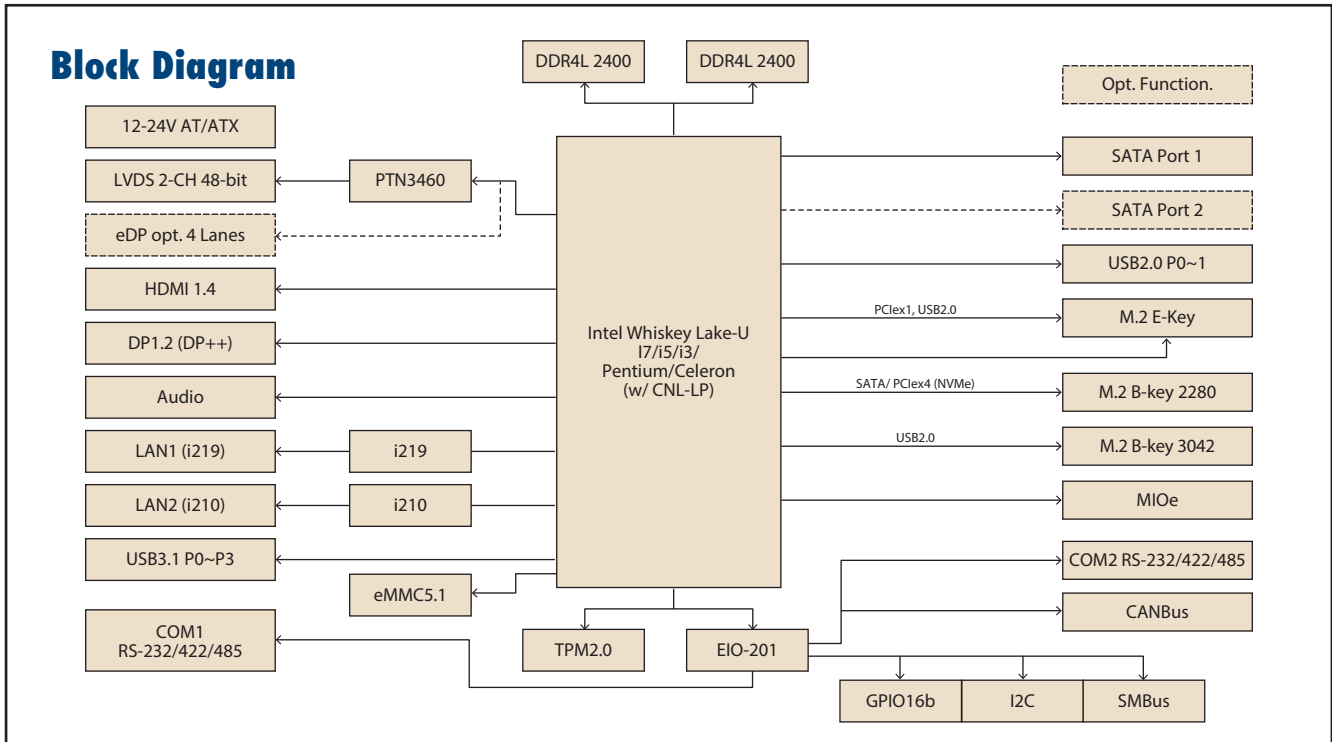


Windows 10 WISE-PaaS/DeviceOn iManager

Specifications

	Processor	i7-8665UE	i5-8365UE	i3-8145UE	4305U* (by request)
Platform	Max. Frequency	4.40 GHz	4.10 GHz	3.90 GHz	-
	Base Frequency	1.70 GHz	1.60 GHz	2.20 GHz	2.20 GHz
	Core/Tread	Quad-Core	Quad-Core	Dual-Core	Dual-Core
	LLC	2 MB	2 MB	2 MB	2 MB
	CPU TDP	15W	15W	15W	15W
	Chipset	Intel® WHL-U SoC integrated			
	BIOS	AMI EFI 256Mbit			
	Memory	Technology	DDR4-2400MT/s		
Max. Capacity		32GB			
Channel/Socket		Dual Channel/Dual Socket DDR4			
ECC Support		N/A			
Graphics	Controller	Intel® WHL-U SoC integrated			
	Max. Frequency	400 MHz	400 MHz	500 MHz	-
	Base Frequency	550 MHz	600 MHz	650 MHz	-
	Graphics Memory	TBD			
Display I/F	3D/HW Acceleration	3D Acceleration: Direct3D 2015, OpenGL4.5, OpenCL2.1 HW Decode: HEVC/H.265 (8/10-bit), AVC/H.264, VP9, VP8, WMV9, MPEG2 HW Encode: HEVC/H.264, AVC/H.264, VP9, VP8, MPEG2			
	LCD	LVDS Dual Channel 48-bit up to 1920 x 1200 Option eDP1.4 up to 4096x2304@60Hz			
	HDMI/DP	1 Port HDMI1.4 up to 4096x2160@30/24Hz 1 Port DP1.2 up to 4096x2306@60Hz			
Ethernet	Multiple Display	Triple simultaneous displays by LVDS/eDP+HDMI+DP			
	Controller	LAN1: Intel i219, LAN2: Intel i210-IT			
External I/O	Speed	10/100/1000 Mbps			
	Ethernet	2 x RJ-45			
	VGA/HDMI/DP	0/1/1			
	USB3.1	4			
	COM Port	1 x RS-232/422/485			
	LED	Power status, HDD R/W			
	Power DC-Jack	1*(Optional)			
Internal I/O	SATA	1, up to 6Gb/s (600MB/s)			
	USB2.0	2			
	Serial Bus	SMBus, I2C (100K/400K)			
	COM Port	1 x RS-232/422/485			
	GPIO	2 x GPIO 8b (default) or 2 x RS-232 (*by request)			
	GPIO	16-bit general purpose input/output I/O			
	Audio	Realtek ALC-888S, Line-in/Line-out/MIC			
	Inverter	12V/5V/3.3V selectable			
	LPC/SPI Bus	LPC			
	CAN Bus	1 x CAN Bus 2.0			
	Fan	4-wire smart fan			
Board Feature	Front Panel Control	Power-on			
	Watchdog Timer	65536 level, 0-65535 sec			
	TPM	TPM2.0 (SLB9670XQ2.0)			
Storage	iManager 3.0	Yes			
	eMMC	eMMC5.1 default 32GB, up to 64GB			
Expansion	M.2	1 x M.2 E-key 2230 1 x M.2 B-key 2280 (SATA or NVMe PCIe2), 3042 LTE module (support USB2.0 only), optional M-key 2280 NVMe PCIe4.			
	MIO Extension	4 PCIe1.x (x1/x2/x4), USB2.0, LPC, SMBus, Line-out, 12V/5V Power supply			
Power	Supply Voltage	Vin: 12V-24V +/- 10%; RTC Battery: Lithium 3V/ 210mAh			
	Connector	ATX 2x2-pin, optional: DC-Jack*			
	Power Management	AT, ATX			

*Note: Support by request



Specifications (Cont.)

Power	Max. Consumption	i7-8665UE: 30.10W (12V) i7-8665UE: 33.33W (24V)	i5-8365UE: TBD	i3-8145UE: TBD	4305U: TBD
	Idle Consumption	i7-8665UE: 6.61W (12V) i7-8665UE: 7.42W (24V)	i5-8365UE: TBD	i3-8145UE: TBD	4305U: TBD
Environment	Temperature	Operating: Standard: 0 ~ 60 °C (32 ~ 140 °F), Extend: -40 ~ 85 °C (-40 ~ 185 °F) Storage: -40 ~ 85 °C (-40 ~ 185 °F)			
	Humidity	Operating: 40 °C @ 95% relative humidity, non-condensing Storage: 60 °C @ 95% relative humidity, non-condensing			
	Vibration Resistance	3.5Grms			
Certification	EMC	CE, FCC Class B			
Mechanical	Dimensions	146 x 102 mm (5.7" x 4")			

Ordering Information

Part Number	CPU	Max. Frequency	Core	eMMC	TPM2.0	Thermal solution	Operating Temp
MIO-5373U-U7A1	i7-8665UE	4.40 GHz	4	32G	Y	Passive	0 ~ 60° C
MIO-5373U-U6A1	i5-8365UE	4.10 GHz	4	32G	Y	Passive	0 ~ 60° C
MIO-5373U-U3A1	i3-8145UE	3.90 GHz	2	32G	Y	Passive	0 ~ 60° C

*Default BIOS supports 64 bits OS installation, BIOS for 32 bits OS installation is supported by project.

Packing List

Part No.	Description	Quantity
	MIO-5373 SBC	1
	Startup Manual	1
1700006291	SATA cable 30cm	1
1700018785	A CABLE SATA 15P/1*4P-2.5 35cm	1
1700019584	A Cable 2*5P-2.0/Audio JACK*3 20cm	1
1700030404-01	RS-232 9P(M)/1*10P-1.25 20cm MIO-5373	1
1960091427N001	MIO-5373 heatsink for 0 ~ 60° C	1
9689000002	mini Jumper pack	1

Optional Accessories

Part No.	Description
1970004423N000	Heat spreader

Embedded OS/API

Embedded OS/API	Part No.	Description
WIN10	20706WX9HS0030	64-bit (UEFI mode only)
Software API	Download by website	SUSI V4.0

Rear I/O View

