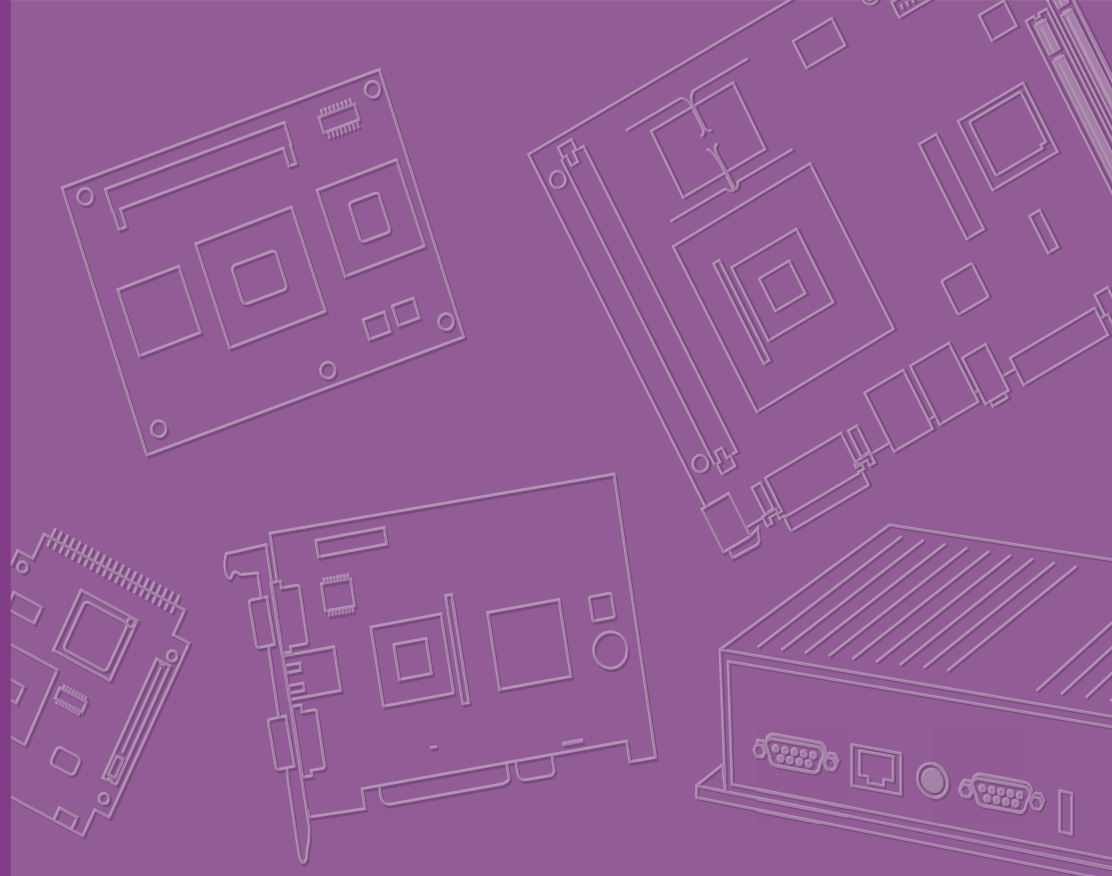


**User Manual**



# **DSD-3000 Series**

## **FHD Signage Display**

**ADVANTECH**

*Enabling an Intelligent Planet*

---

## Copyright

The documentation and software included with this product are copyrighted 2014 by Advantech Co., Ltd. All rights are reserved. Advantech Co., Ltd. also reserves the right to improve the products described in this manual at any time without notice. No part of this manual may be reproduced, copied, translated or transmitted in any form or by any means without prior written permission from Advantech Co., Ltd. The information provided in this manual is intended to be accurate and reliable. However, Advantech Co., Ltd. assumes no responsibility for its use, nor for any infringements of the rights of third parties that may result from its use.

## Acknowledgements

Intel and Pentium are registered trademarks of Intel Corporation.

Microsoft Windows and MS-DOS are registered trademarks of Microsoft Corp.

All other product names or trademarks are the property of their respective owners.

## Product Warranty (2 years)

Advantech warrants the original purchaser that all its products will be free from defects in materials and workmanship for two years from the date of purchase.

This warranty does not apply to any products that have been repaired or altered by persons other than repair personnel authorized by Advantech, or products that have been subject to misuse, abuse, accident, or improper installation. Advantech assumes no liability under the terms of this warranty as a consequence of such occurrences.

Because of Advantech's high quality-control standards and rigorous testing, most customers never need to use our repair service. If an Advantech product is defective, it will be repaired or replaced at no charge during the warranty period. For out-of-warranty repairs, customers are billed according to the cost of replacement materials, service time, and freight. Please consult your dealer for more details.

If you believe that your product is defective, please follow the steps outlined below.

1. Collect all information about the problem encountered (for example, CPU speed, Advantech products used, other hardware and software used, etc.). Note anything abnormal and list any onscreen messages encountered when the problem occurs.
2. Call your dealer and describe the problem. Please have your manual, product, and any relevant information readily available.
3. If your product is diagnosed as defective, obtain a return merchandise authorization (RMA) number from your dealer. This allows us to process your return more quickly.
4. Carefully pack the defective product, a completed Repair and Replacement Order Card, and proof of the purchase date (such as a photocopy of your sales receipt) in a shippable container. Products returned without a proof of purchase date are not eligible for our warranty service.
5. Write the RMA number clearly on the outside of the package and ship the product prepaid to your dealer.

# Declaration of Conformity

## CE

This product satisfies the environmental specifications for CE certification. The test conditions observed included operating the equipment in an industrial enclosure. To protect the product from damage due to electrostatic discharges (ESD) and electromagnetic interference (EMI) leakages, we strongly recommend using CE-compliant industrial enclosure products.

## FCC Class B

Note: This equipment has been tested and found to comply with the standards for a Class B digital device, pursuant to Part 15 of the FCC Regulations. These regulations are designed to provide reasonable protection from harmful interference during residential installations. This equipment generates, uses, and can radiate radio frequency energy and, if not installed and used in accordance with the instructions, may cause harmful interference to radio communications. However, we cannot guarantee that interference will not occur during a particular installation. If this equipment does cause harmful interference to radio or television reception, which can be determined by turning the equipment off and on, users are advised to attempt to correct the interference using one or more of the following measures:

- Reorient or relocate the receiving antenna.
- Increase the distance between the equipment and receiver.
- Ensure that the equipment is plugged into an outlet on a different circuit than the one to which the receiver is connected.
- Consult your dealer or an experienced radio/TV technician for assistance.

# Technical Support and Assistance

1. Visit the Advantech website at <http://support.advantech.com> to obtain the latest information about this product.
2. Contact your distributor, sales representative, or Advantech's customer service center for technical support should you require additional assistance. Please have the following information to hand before calling:
  - Product name and serial number
  - Description of your peripheral attachments
  - Description of your software (operating system, version, application software, etc.)
  - A comprehensive description of the problem
  - The exact wording of any error messages

---

## Warnings, Cautions, and Notes

**Warning!** Warnings indicate conditions that necessitate precautions, which, if not observed, can result in personal injury!



**Caution!** Cautions are included to help you avoid damaging the hardware or losing data.



For example, “There is a risk of a new battery exploding if incorrectly installed. Do not attempt to recharge, force open, or heat the battery. Replace the battery only with the same or equivalent type recommended by the manufacturer. Discard used batteries according to the manufacturer’s instructions.”

**Note!** Notes provide additional non-essential information.



## Document Feedback

To facilitate the ongoing improvement of this manual, we welcome all comments and constructive criticisms. Please send all feedback in writing to [support@advantech.com](mailto:support@advantech.com)

# Safety Instructions

1. Read these safety instructions carefully.
2. Retain this user manual for future reference.
3. Disconnect this equipment from all AC outlets before cleaning. Use only a damp cloth for cleaning. Do not apply liquid or spray detergents.
4. Pluggable equipment should be located near an easily accessible power outlet socket.
5. Protect this equipment from humidity.
6. Position this equipment on a reliable surface during installation. Dropping or letting the equipment fall may cause damage.
7. The openings in the enclosure are for air convection to protect the equipment from overheating. Do not cover these openings.
8. Ensure that power source voltage is correct before connecting the equipment to a power outlet.
9. Position the power cord away from high-traffic areas. Do not place anything over the power cord.
10. All cautions and warnings on the equipment should be noted.
11. If unused for a long time, disconnect the equipment from the power source to avoid damage from transient overvoltages.
12. Never pour liquid into the openings. This may cause fire or electrical shock.
13. Never open the equipment. For safety reasons, the equipment should only be opened by qualified service personnel.
14. If one of the following occurs, have the equipment checked by service personnel:
  - The power cord or plug is damaged.
  - Liquid has penetrated into the equipment.
  - The equipment has been exposed to moisture.
  - The equipment is malfunctioning, or does not operate according to the user manual.
  - The equipment has been dropped and damaged.
  - The equipment shows obvious signs of breakage.
15. Do not leave this equipment in an environment with a storage temperature of below -20 °C (-4 °F) or above 60 °C (140 °F). This may damage the equipment. The equipment should be stored in a controlled environment.
16. There is a risk of a new battery exploding if incorrectly installed. Do not attempt to recharge, force open, or heat the battery. Replace the battery only with the same or equivalent type recommended by the manufacturer. Discard used batteries according to the manufacturer's instructions.

The sound pressure level at the operator's position does not exceed 70 dB (A), as per the IEC 704-1:1982 specifications.

DISCLAIMER: These instructions are provided in accordance with the IEC 704-1 standard. Advantech disclaims all responsibility for the accuracy of any statements contained herein.



# Contents

<b>Chapter 1</b>	<b>Overview .....</b>	<b>1</b>
1.1	Overview .....	2
1.2	Features .....	2
1.3	Application Scenarios.....	2
1.4	Product Photographs .....	2
1.5	Naming Conventions.....	4
<b>Chapter 2</b>	<b>System Setup .....</b>	<b>5</b>
2.1	Specifications .....	6
2.1.1	DSD-3032 .....	6
2.1.2	DSD-3042 .....	7
2.1.3	DSD-3055 .....	8
2.2	Dimensions .....	9
2.2.1	DSD-3032N.....	9
2.2.2	DSD-3032T .....	9
2.2.3	DSD-3042N.....	10
2.2.4	DSD-3042T .....	10
2.2.5	DSD-3055N.....	11
2.2.6	DSD-3055T .....	11
2.3	Packing List.....	12
2.4	Attach and Remove Table Stands (optional) .....	12
<b>Chapter 3</b>	<b>Functions .....</b>	<b>15</b>
3.0.1	Functions .....	16
3.1	LED Indicator .....	16
3.1.1	Keypad (eight keys) .....	16
3.1.2	Remote Controller.....	16
3.2	OSD Menu .....	17
3.3	RS232/RS485 Command.....	19
3.3.1	Environment.....	19
3.3.2	Sample.....	19
3.4	Input Mode .....	22
<b>Appendix A</b>	<b>Warnings and Precautions .....</b>	<b>25</b>
A.1	Warnings and Precautions .....	26





# Chapter 1

## Overview

- Overview
- Features
- Applications
- Product Photographs
- Naming Conventions

---

## 1.1 Overview

The Advantech DSD-3000 series comes equipped with a 32"/42"/55" industrial-grade digital signage monitor. This series is also available with a flexible stand base (optional) and optical touch functions. The DSD-3000 series systems offer superior performance for semi-outdoor and indoor applications. This manual is intended for the DSD-3032N/T, DSD-3042N/T, and DSD-3055N/T models.

## 1.2 Features

- Backlight: LED
- Low power consumption
- Quick response time
- Wide viewing angle of 178 / 178 degrees
- Speaker: 10 W x 2
- Backlight life time: 50,000 hrs
- Display colors: 16.7 M colors
- Touch options: Optical touch and dual-touch functionalities supported
- Fanless design

## 1.3 Application Scenarios

- Public information displays
- Airport flight information displays
- Public advertising
- Entertainment / Gaming

## 1.4 Product Photographs

**Front View**



## Rear View



**Note!** *Handles are not available for the DSD-3032N/3032T models.  
Additionally, the VESA mounting dimensions vary between models.*



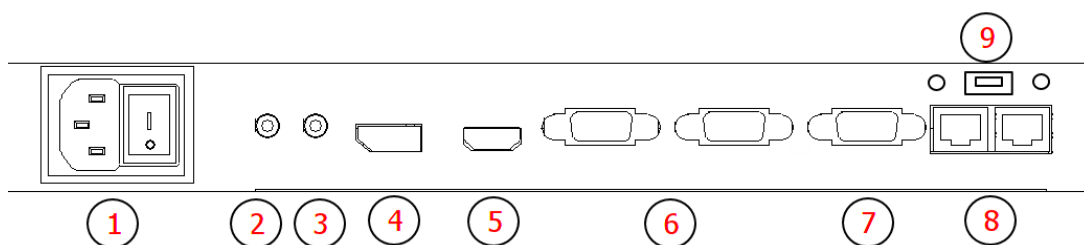
## I/O (Underside) View



**Note!** *The I/O ports differ between the various models in the DSD-3000 series.  
Please refer to specification sheet for further details.*

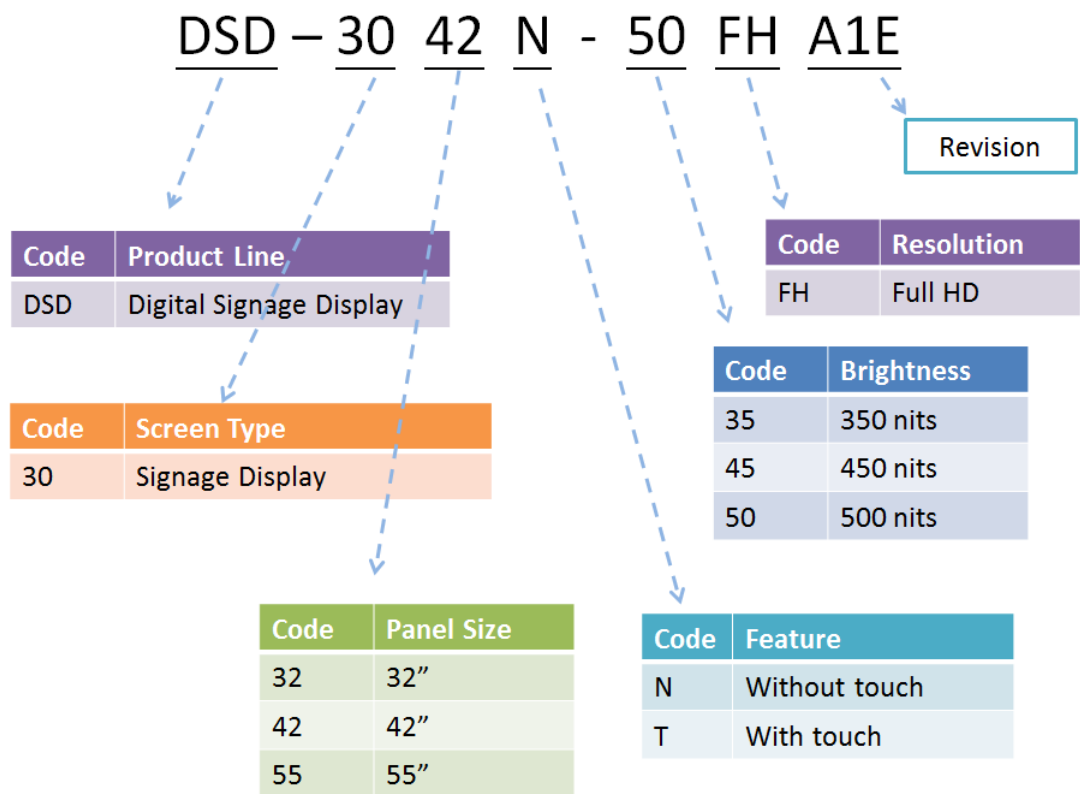


## I/O Interface



- |    |                          |    |                               |
|----|--------------------------|----|-------------------------------|
| 1. | Power button / AC socket | 6. | VGA in / out                  |
| 2. | Audio out (line out)     | 7. | RS232                         |
| 3. | Audio in                 | 8. | RS485                         |
| 4. | Display port             | 9. | Touch USB (Touch series only) |
| 5. | HDMI                     |    |                               |

## 1.5 Naming Conventions



# Chapter 2

## System Setup

- Specifications
- Dimensions
- Packing List
- Attach and Remove Table Stands (optional)

## 2.1 Specifications

### 2.1.1 DSD-3032

	Model	DSD-3032N-35FHA1E	DSD-3032T-35FHA1E
<b>Display</b>	Display Size	32" LED backlight panel	32" LED backlight panel
	Resolution	1920 x 1080 (F-HD)	1920 x 1080 (F-HD)
	Viewing Angle (U/D/L/R)	89°/ 89°/ 89°/ 89°	89°/ 89°/ 89°/ 89°
	Brightness	350 (cd/m2)	350 (cd/m2)
	Contrast Ratio	3000: 1	3000: 1
	Response Time (ms)	8	8
	Colors	16.7M	16.7M
	Backlight Life (hrs)	50,000 hrs	50,000 hrs
<b>System</b>	Power Input	100 ~ 240 V	100 ~ 240 V
	Consumption	80 W	80 W
	Interface	VGA, HDMI, Display Port	VGA, HDMI, Display Port
	OSD Control Function	RS232, RS485, remote control	RS232, RS485, remote control
	OSD Language	Simplified Chinese, Traditional Chinese, English, Japanese, French, German, Spanish	
	Source Auto Detect	Yes	Yes
<b>Environment</b>	Operating Temperature	5 ~ 45 °C	
	Storage Temperature	-20 ~ 55 °C	
	Humidity	20 ~ 80% RH	
<b>Mechanical</b>	Net Weight	14 Kg	17 Kg
	Gross Weight	17 Kg	20 Kg
	Dimensions (mm)	743.6 x 438.11 x 73	774.4 x 474.79 x 79.9
	Packing (mm)	895 x 610 x 200	895 x 610 x 200
	VESA Mounting	200 x 200 (mm)	200 x 200 (mm)
<b>Optional Touch</b>	Interface	N/A	USB 2.0
	Touch Type	N/A	Optical Touch
	Multi Touch	N/A	Two points

## 2.1.2 DSD-3042

	Model	DSD-3042N-50FHA1E	DSD-3042T-50FHA1E
<b>Display</b>	Display Size	42" LED backlight panel	42" LED backlight panel
	Resolution	1920 x 1080 (F-HD)	1920 x 1080 (F-HD)
	Viewing Angle (U/D/L/R)	89°/ 89°/ 89°/ 89°	89°/ 89°/ 89°/ 89°
	Brightness	500 (cd/m2)	500 (cd/m2)
	Contrast Ratio	4000: 1	4000: 1
	Response Time (ms)	8	8
	Colors	16.7M	16.7M
	Backlight Life (hrs)	50,000 hrs	50,000 hrs
<b>System</b>	Power Input	100 ~ 240 V	100 ~ 240 V
	Consumption	130 W	130 W
	Interface	VGA, HDMI, Display Port	VGA, HDMI, Display Port
	OSD Control Function	RS232, RS485, remote control	RS232, RS485, remote control
	OSD Language	Simplified Chinese, Traditional Chinese, English, Japanese, French, German, Spanish	
	Source Auto Detect	Yes	Yes
<b>Environment</b>	Operating Temperature	5 ~ 45 °C	
	Storage Temperature	-20 ~ 55 °C	
	Humidity	20 ~ 80% RH	
<b>Mechanical</b>	Net Weight	18 Kg	29 Kg
	Gross Weight	21 Kg	33 Kg
	Dimensions (mm)	961 x 555 x 72.7	1007 x 615 x 82
	Packing (mm)	1140 x 760 x 200	1140 x 760 x 250
	VESA Mounting	400 x 200 (mm)	
<b>Optional Touch</b>	Interface	N/A	USB 2.0
	Touch Type	N/A	Optical Touch
	Multi Touch	N/A	Two points

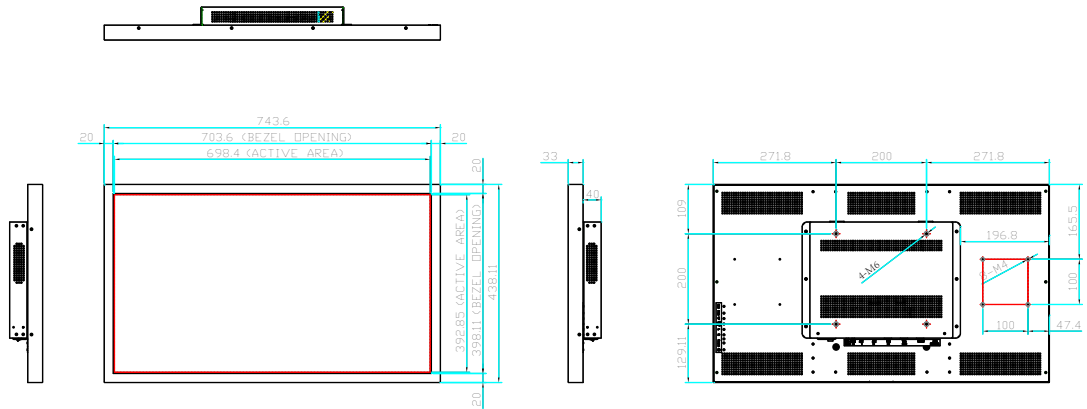
### 2.1.3 DSD-3055

	Model	DSD-3055N-40FHA1E	DSD-3055T-40FHA1E
<b>Display</b>	Display Size	55" LED backlight panel	55" LED backlight panel
	Resolution	1920 x 1080 (F-HD)	1920 x 1080 (F-HD)
	Viewing Angle (U/D/L/R)	89°/ 89°/ 89°/ 89°	89°/ 89°/ 89°/ 89°
	Brightness	450 (cd/m2)	450 (cd/m2)
	Contrast Ratio	4000: 1	4000: 1
	Response Time (ms)	8	8
	Colors	16.7M	16.7M
	Backlight Life (hrs)	50,000 hrs	50,000 hrs
<b>System</b>	Power Input	100 ~ 240 V	100 ~ 240 V
	Consumption	130 W	130 W
	Interface	VGA, HDMI, Display Port	VGA, HDMI, Display Port
	OSD Control Function	RS232, RS485, remote control	RS232, RS485, remote control
	OSD Language	Simplified Chinese, Traditional Chinese, English, Japanese, French, German, Spanish	
	Source Auto Detect	Yes	Yes
<b>Environment</b>	Operating Temperature	5 ~ 45 °C	
	Storage Temperature	-20 ~ 55 °C	
	Humidity	20 ~ 80% RH	
<b>Mechanical</b>	Net Weight	31 Kg	50 Kg
	Gross Weight	36 Kg	58 Kg
	Dimensions (mm)	1238.6 x 709.4 x 72.5	1315.42 x 798.21 x 82.7
	Packing (mm)	1355 x 845 x 200	1400 x 900 x 250
	VESA Mounting	400 x 200 (mm)	400 x 200 (mm)
<b>Optional Touch</b>	Interface	N/A	USB 2.0
	Touch Type	N/A	Optical Touch
	Multi Touch	N/A	Two points

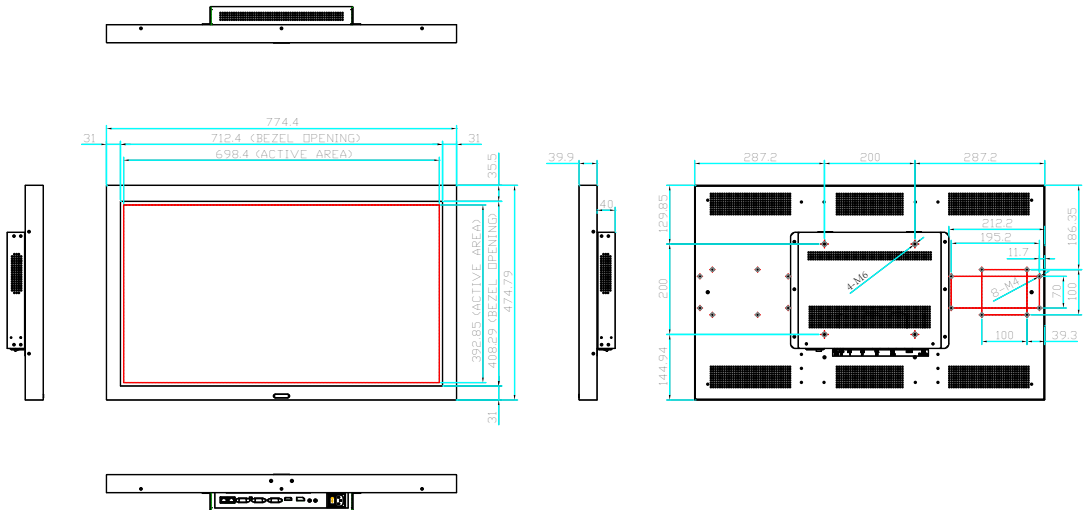


## 2.2 Dimensions

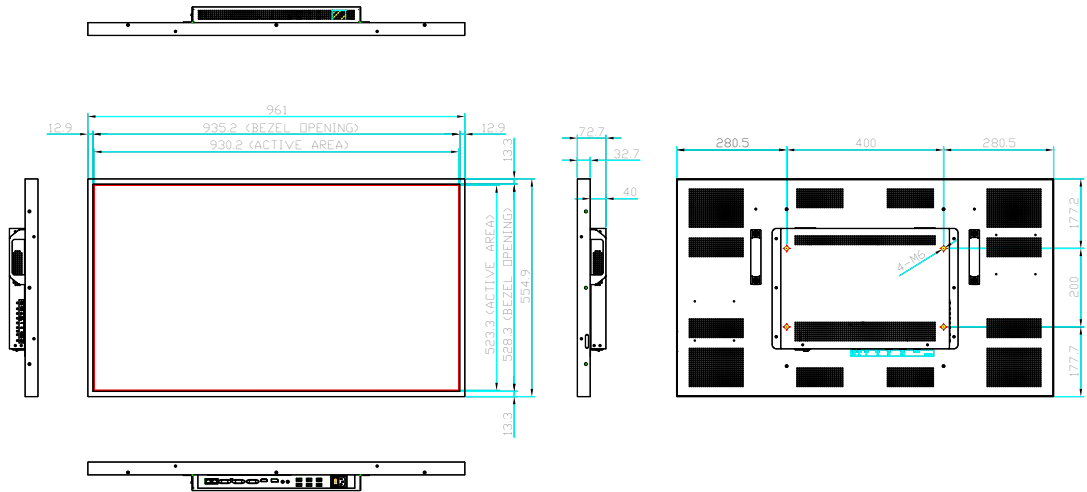
### 2.2.1 DSD-3032N



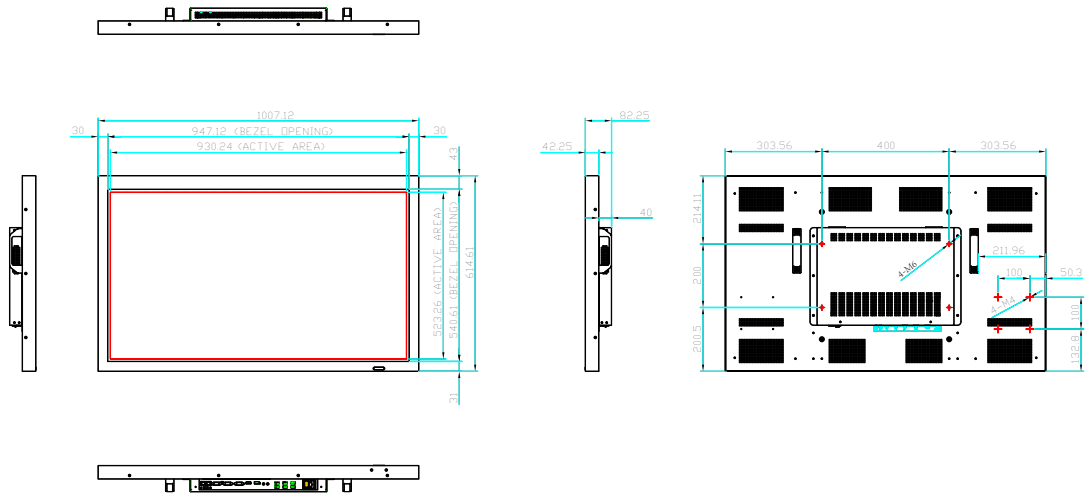
### 2.2.2 DSD-3032T



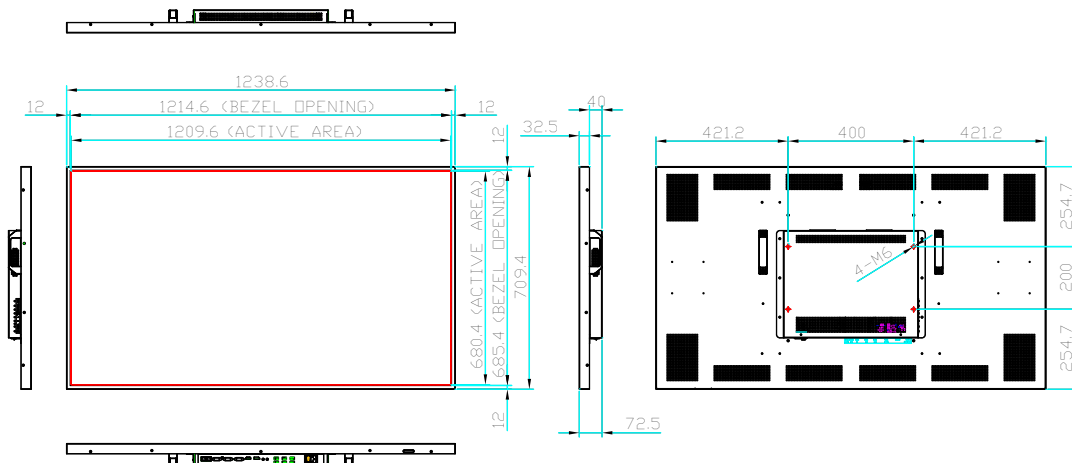
## 2.2.3 DSD-3042N



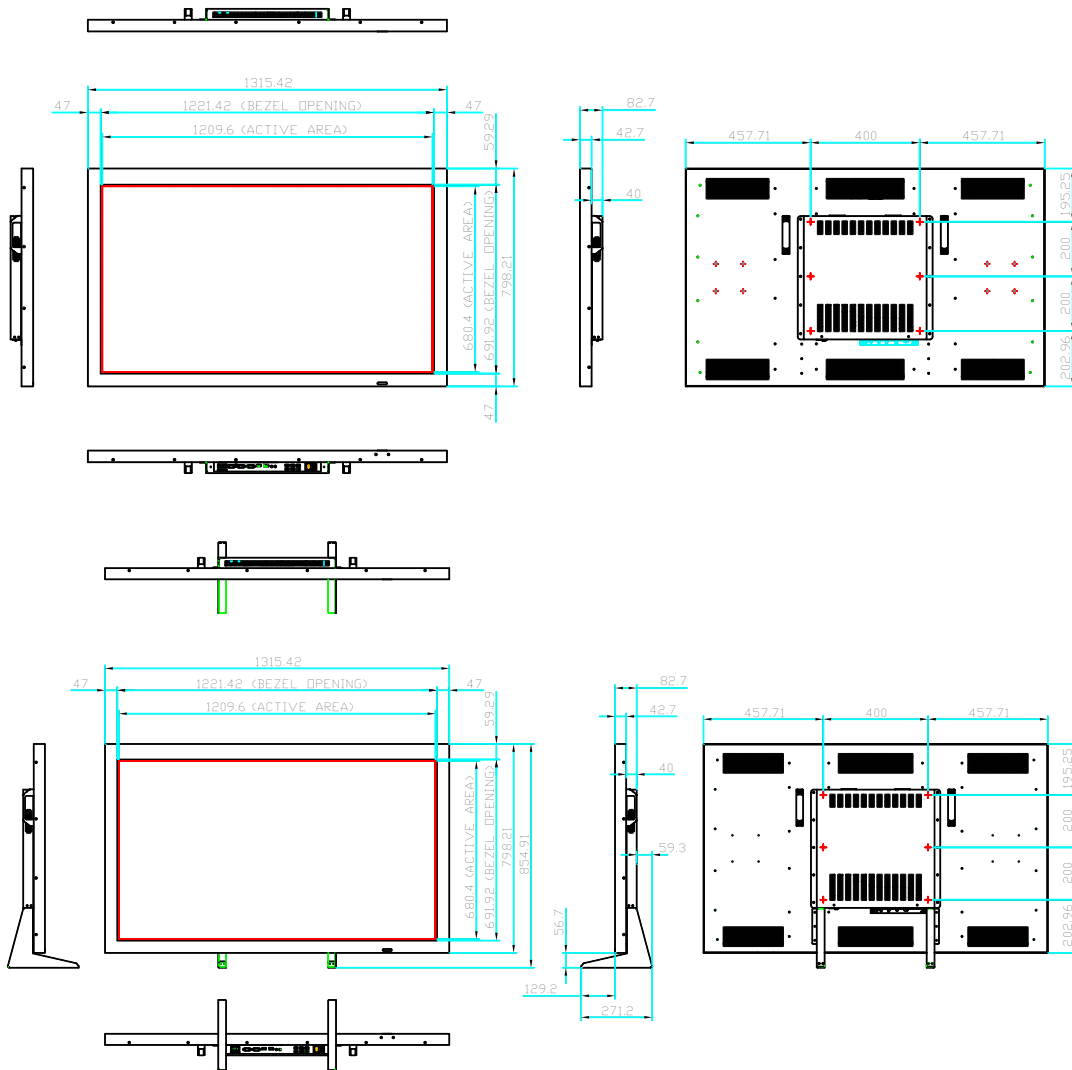
## 2.2.4 DSD-3042T



### 2.2.5 DSD-3055N



### 2.2.6 DSD-3055T



**Note!** Select the correct VESA mounting kit with an appropriate weight loading capability, and use M6 screws to affix the digital signage display to the mounting unit.



## 2.3 Packing List

- 1 x US power cord (1.8 m)
- 1 x HDMI cable (1.8 m)
- 1 x USB cable (1.8 m)
- 1 x IR remote controller with batteries.

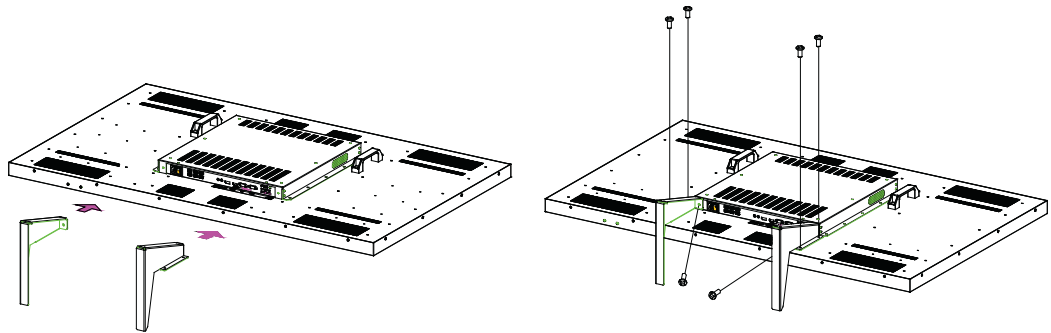
**Note!** *The accessory cables listed above are subject to change for different SKUs.*



## 2.4 Attach and Remove Table Stands (optional)

**To attach table stands:**

1. Ensure the display is powered off.
2. Cover a flat surface with a protective sheet.



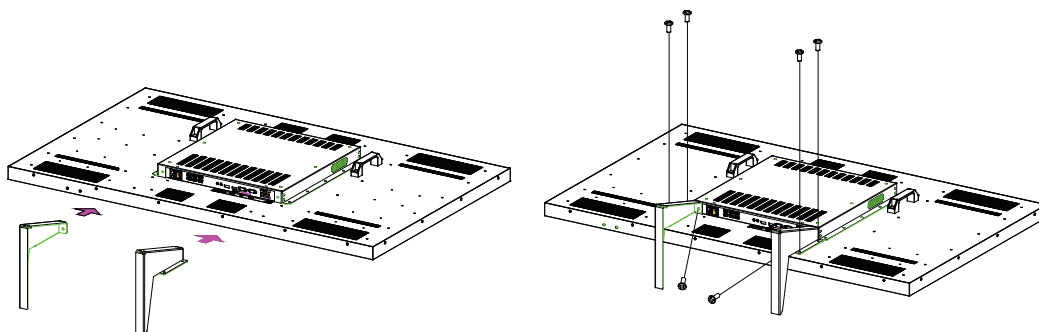
3. Gripping the carrying handles, place the display, with the screen facing down, on the protective sheet.
4. Align the screw holes of each table stand with those of the display. Then affix the stands to the display using the screws included with the table stand kit.

**Note!** *The longer side of the stand should be oriented to the front of the display.*



**To remove table stands:**

1. Ensure the display is powered off.
2. Cover a flat surface with a protective sheet.



3. Gripping the carrying handles, place the display, with the screen facing down, on the protective sheet.
4. Using a screwdriver, remove the screws affixing each stand to the display. Store the screws in a safe place for reuse.



# Chapter 3

## Functions

- LED Indicator, Keypad, and Remote Controller
- OSD Functions
- RS232 Remote Control
- Timing Table

### 3.0.1 Functions

## 3.1 LED Indicator

- None: Power off
- Solid Red: Standby
- Solid Green: Active
- Flashing Red / Orange: Alarm (backlight or power supply failure)

### 3.1.1 Keypad (eight keys)

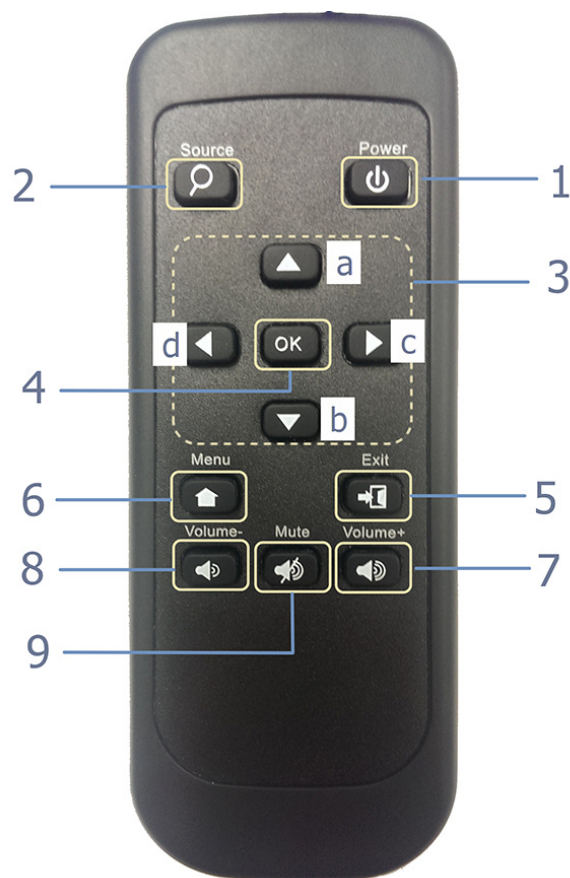
The positions and functions of the keypad buttons are shown below.



**Note!** Keypads are not available for the DSD-3032T, DSD-3042T, and DSD-3055T models.



### 3.1.2 Remote Controller



1. **Power:** Press to power on the display from standby mode. Press again to turn the power off and return the system to standby mode.
2. **Source:** Press to toggle through the Video Source Menu.



3. **Direction:**
  - a. Up: Press to move the selector up in the OSD menu
  - b. Down: Press to move the selector down in the OSD menu.
  - c. Right: Press to move the selection right in the OSD menu.  
Or press to increase the value of an item in the OSD menu.
  - d. Left: Press to move the selection left in the OSD menu.  
Or press to decrease the value of an item in the OSD menu.
4. **OK:** Press to activate the setting in the OSD menu.
5. **Exit:** Press to return to the previous OSD menu.
6. **Menu:** Press to turn the OSD menu on/off.
7. **Volume+:** Press to increase the audio output level.
8. **Volume-:** Press to decrease the audio output level.
9. **Mute:** Press to turn the mute function on/off.

## 3.2 OSD Menu

OSD Tree		Default
IMAGE	→Brightness	75
	→Contrast	70
	→Hue	(For HDMI only)
	→Saturation	(For HDMI only)
	→Sharpness	0
	→Color	→Auto
		→Color Temp
		→4200K
		→5000K
		→6500K
	→7500K	
	→9300K	√
	→User	→R (0~100) 100
		→G (0~100) 100
		→B (0~100) 100
	→Full Color	
DISPLAY	→Auto Adjust	
	→Phase	
	→Clock	
	→Display Position	→( ↑ ↓ ← → )
	→Display Mode	→Off
		→Desk Top
		→Gaming
	→Multimedia	

SOUND	→Volume				
	→Mute				
	→Output Select	→Speakers			
→S/PDIF					
SYSTEM	→Input		→Display Port		
			→VGA		
			→DVI/HDMI		
			→Keypad	On	
				Off	
			(enable keypad operation)		
			→Auto Scan		
	→OSD Setting	→Timer	→3 seconds		
			→6 seconds		
			→12 seconds		
			→Rotation	→0°	√
				→90°	
				→180°	
		→270°			
		→Position	→( ↑ ↓ ← → )		
		→Transparency	0~100	8	
→Language	→English		√		
	→Español				
	→Deutsch				
	→Français				
	→ 日本語				
	→ 繁體中文				
	→ 简体中文				
→Reset					

## 3.3 RS232/RS485 Command

### 3.3.1 Environment

Interface	RS232, RS485
Baud Rates	19200
Data Bits	8
Stop Bits	1
Parity	No

### 3.3.2 Sample

STX	Address/ID		Type	Property/Command		Length	Data	ETX	Checksum
02	00	00	01	00	02	01	31	03	3A

#### General Command Form

- **STX**  
The first character is the standard Start of Text (STX) character 02.
- **Address/RS485ID**  
The second and third characters are the device address. If a device does not support addressing, the values for these characters should be 00 and 00 to act as the global address.
- **Type**  
The fourth character is the command type. Four types of commands exist:
  - Command → 01
  - Ack → 02
- **Property/Command**  
The fifth and sixth characters are the property identifier. With the use of two-byte identifiers, a possible 65,536 different identifiers exist. Although this may seem excessive, the maximum of 256 one-byte identifiers is insufficient for certain models.
- **Data Length**  
The seventh character is the number of characters in the parameter data section.
- **Data**  
The data parameter section follows the seventh character, and is as many characters long as specified by the seventh character. If the seventh character is 00 (as with the Reset command for example) then the parameter section will have no characters. The parameter section contains the value of the property.
- **ETX**  
The last character is the standard End of Text (ETX) character 03.

In this example (changing the input source to VGA), the Address characters are both 00, which is the global address for all devices connected to the serial port. The Type character is 01 to indicate that the transmission is a command.

The Property ID characters indicate a property identifier of 2, which is the value in this protocol.

The Length character is a 1, which indicates that there is one character of data associated with this command.

The Data character shows a value of 31, which is the value for VGA.

The ETX character is the command end code.

The last character is the Checksum.

$$\text{Checksum} = (0x02h + 0x00h + 0x00h + 0x01h + 0x00h + 0x02h + 0x01h + 0x31h + 0x03) \% 100h = 3Ah$$

Note: P → Property / Command

Com → Property / Command or ID Address / ID

E → ETX

C / Ck → Checksum

Command		S		ID	Type	P	Com	Ln	Data	E	c
		1	2	3	4	5	6	7	8	9	10
Input Source	VGA Response	02 02	00 00	00 00	01 02	00 00	02 02	01 01	31 31	03 03	3A 3B
	HDMI Response	02 02	00 00	00 00	01 02	00 00	02 02	01 01	32 32	03 03	3B 3C
	Display Port Response	02 02	00 00	00 00	01 02	00 00	02 02	01 01	34 34	03 03	3D 3E
Brightness	0% Response	02 02	00 00	00 00	01 02	00 00	04 04	01 01	00 00	03 03	0B 0C
	100% Response	02 02	00 00	00 00	01 02	00 00	04 04	01 01	64 64	03 03	6F 70
Contrast	0% Response	02 02	00 00	00 00	01 02	00 00	05 05	01 01	00 00	03 03	0C 0D
	100% Response	02 02	00 00	00 00	01 02	00 00	05 05	01 01	64 64	03 03	70 71
Sharpness	-4 Response	02 02	00 00	00 00	01 02	00 00	07 07	01 01	00 00	03 03	0E 0F
	4 Response	02 02	00 00	00 00	01 02	00 00	07 07	01 01	8 8	03 03	16 17
Sound Mute	OFF Response	02 02	00 00	00 00	01 02	00 00	09 09	01 01	00 00	03 03	10 11
	ON Response	02 02	00 00	00 00	01 02	00 00	09 09	01 01	01 01	03 03	11 12
Sound Volume	0% Response	02 02	00 00	00 00	01 02	00 00	0A 0A	01 01	00 00	03 03	11 12
	100% Response	02 02	00 00	00 00	01 02	00 00	0A 0A	01 01	64 64	03 03	75 76

Color Temp.	4200K Response	02 02	00 00	00 00	01 02	00 00	0C 0C	01 01	31 31		03 03	44 45
	5000K Response	02 02	00 00	00 00	01 02	00 00	0C 0C	01 01	32 32		03 03	45 46
	6500K Response	02 02	00 00	00 00	01 02	00 00	0C 0C	01 01	33 33		03 03	46 47
	7500K Response	02 02	00 00	00 00	01 02	00 00	0C 0C	01 01	34 34		03 03	47 48
	9300K Response	02 02	00 00	00 00	01 02	00 00	0C 0C	01 01	35 35		03 03	48 49
	User Response	02 02	00 00	00 00	01 02	00 00	0C 0C	01 01	36 36		03 03	49 4A
SET RS485 ID	ID:01(HEX) Response	<b>02</b> <b>02</b>	00 00	00 00	01 <b>02</b>	00 00	0D 0D	01 01	01 01		03 03	15 16
	ID:FF(HEX) Response	<b>02</b> <b>02</b>	00 00	00 00	01 <b>02</b>	00 00	0D 0D	01 01	FF FF		03 03	13 13
Remote Control	Source Response	<b>02</b> <b>02</b>	00 00	00 00	01 <b>02</b>	00 00	0B 0B	01 01	20 20		03 03	32 33
	Up Response	<b>02</b> <b>02</b>	00 00	00 00	01 <b>02</b>	00 00	0B 0B	01 01	21 21		03 03	33 34
	Down Response	<b>02</b> <b>02</b>	00 00	00 00	01 <b>02</b>	00 00	0B 0B	01 01	22 22		03 03	34 35
	Left Response	<b>02</b> <b>02</b>	00 00	00 00	01 <b>02</b>	00 00	0B 0B	01 01	23 23		03 03	35 36
	Right Response	<b>02</b> <b>02</b>	00 00	00 00	01 <b>02</b>	00 00	0B 0B	01 01	24 24		03 03	36 37
	OK Response	<b>02</b> <b>02</b>	00 00	00 00	01 <b>02</b>	00 00	0B 0B	01 01	25 25		03 03	37 38
	Menu Response	<b>02</b> <b>02</b>	00 00	00 00	01 <b>02</b>	00 00	0B 0B	01 01	26 26		03 03	38 39
	Exit Response	<b>02</b> <b>02</b>	00 00	00 00	01 <b>02</b>	00 00	0B 0B	01 01	27 27		03 03	39 3A
	Volume- Response	<b>02</b> <b>02</b>	00 00	00 00	01 <b>02</b>	00 00	0B 0B	01 01	28 28		03 03	3A 3B
	Volume+ Response	<b>02</b> <b>02</b>	00 00	00 00	01 <b>02</b>	00 00	0B 0B	01 01	29 29		03 03	3B 3C
	Mute Response	<b>02</b> <b>02</b>	00 00	00 00	01 <b>02</b>	00 00	0B 0B	01 01	2A 2A		03 03	3C 3D
Power Response	<b>02</b> <b>02</b>	00 00	00 00	01 <b>02</b>	00 00	0B 0B	01 01	2B 2B		03 03	3D 3E	

Power	OFF Response	02 02	00 00	00 00	01 02	00 00	0F 0F	01 01	00 00	03 03	16 17
	ON Response	02 02	00 00	00 00	01 02	00 00	0F 0F	01 01	01 01	03 03	17 18
Query All	ID:01(HEX) Response	02 02	00 00	00 00	01 02	FE FE	0D 0D	01 09	00 Data(9bytes)	03 03	16 ck

Query All:

Data\*9: Byte 0 → Query Input Source

Byte 1 → Query Brightness

Byte 2 → Query Contrast

Byte 3 → Query Sharpness

Byte 4 → Query Mute

Byte 5 → Query Sound Volume

Byte 6 → Query Color Temp

Byte 7 → RS485ID

Byte 8 → Query System status

Bit 0:0 → Active

1 → Standby

Bit 1:0 → Power Supply Fail

1 → Power Supply OK

Bit 2:0 → Backlight Fail

1 → Backlight OK

## 3.4 Input Mode

### ■ VGA for VESA Standard Timing

No.	Resolution	fV (Hz)	fH (KHz)	Pixel Rate (MHz)
1	640x480	60	31.5	25.175
2	640x480	72	37.9	31.5
3	800x600	56	35.1	36
4	800x600	60	37.9	40
5	800x600	72	48.1	50
6	1024x768	60	48.4	65
7	1024x768	70	56.5	75
8	1280x720	60	44.8	74.5
9	1280x768	60	47.4	68.25
10	1280x1024	60	64	108
11	1360x768	60	47.7	85.5
12	1400x1050	60	64.7	101
13	1440x900	60	55.5	88.75
14	1600x1200	60	75	162
15	1600x1200	65	81.3	175.5
16	1680x1050	60	64.7	119
17	1920x1080	60	67.2	173

### ■ HDMI Support Timing

No.	Resolution	fV (Hz)	fH (KHz)	Pixel Rate (MHz)
1	800x600	56	35.1	36
2	800x600	60	37.9	40
3	800x600	72	48.1	50
4	1024x768	60	48.4	65
5	1024x768	70	56.5	75
6	1280x720	60	44.8	74.5
7	1280x768	60	47.4	68.25
8	1280x960	60	60	108
9	1280x1024	60	64	108
10	1360x768	60	47.7	85.5
11	1366x768	60	47.7	85.5
12	1920x1080	60	67	148.5

### ■ Display Port Support Timing

No.	Resolution	fV (Hz)	fH (KHz)	Pixel Rate (MHz)
1	800x600	56	35.1	36
2	800x600	60	37.9	40
3	800x600	72	48.1	50
4	1024x768	60	48.4	65
5	1024x768	70	56.5	75
6	1280x720	60	44.8	74.5
7	1280x768	60	47.4	68.25
8	1280x960	60	60	108
9	1280x1024	60	64	108
10	1360x768	60	47.7	85.5
11	1366x768	60	47.7	85.5
12	1920x1080	60	67	148.5





# Appendix **A**

Warnings and  
Precautions

---

## A.1 Warnings and Precautions

To prevent damage and fire or electric shock hazards, do not expose this equipment to rain or moisture.

- Please follow these instructions when connecting and using this digital signage display:
- Unplug the display if the equipment will not be used for an extensive period of time.
- Unplug the display before cleaning the equipment. Use a damp cloth to clean the equipment. However, the screen should only be wiped with a dry cloth when the power is off. Never apply alcohol, solvents, or ammonia-based liquids.
- Consult a service technician if the display is malfunctioning despite following the instructions provided in this manual.
- The casing cover should only be opened by qualified service personnel.
- Store the display away from direct sunlight, as well as stoves and any other heat sources.
- Ensure no materials are lodged in the casing vents or preventing sufficient cooling of the display's electronics.
- Do not block the ventilation holes on the casing.
- Keep the display dry. To avoid electric shock, do not expose the equipment to rain or excessive moisture.
- If turning off the display by detaching the power cable, wait for 6 seconds before re-attaching the power cable to ensure normal operation.
- To avoid electric shock or permanent damage to the equipment, do not expose the display to rain or excessive moisture.
- When positioning the display, ensure that the display plug and power outlet are easily accessible.
- **IMPORTANT:** Always activate a screen saver program for all applications. If a high-contrast still image remains onscreen for an extended period of time, it can leave an "afterimage" or "ghost image" on the screen. This is a well-known phenomenon that results from the inherent deficiencies of LCD technology. In most cases, the afterimage gradually disappears over time after the power has been switched off. Users should be aware that this afterimage phenomenon cannot be repaired and is not covered by our warranty service.

This device belongs to a class of information products that can cause radio interference when employed in a live environment. Should this occur, users are responsible for implementing appropriate countermeasures.



**ADVANTECH**

*Enabling an Intelligent Planet*

**[www.advantech.com](http://www.advantech.com)**

Please verify all specifications before quoting. This guide is intended for reference purposes only.

All product specifications are subject to change without notice.

No part of this publication may be reproduced in any form or by any means, electronic, photocopying, recording or otherwise, without prior written permission from the publisher.

All brand and product names are trademarks or registered trademarks of their respective companies.

© Advantech Co., Ltd. 2014