

# P1581Y-C6



## Features

- 15.6" wide screen LCD, 1920\*1080, capacitive touch
- Onboard Intel®Celeron J6412/2.00GHz quad cores CPU
- 2\*SODIMM DDR4 3200MHz, up to 32GB
- 1\*HDMI
- 2\*Intel I210 Gigabit Ethernet
- 6\*RS232, COM1~2 DB9 RS232, COM2 RS485/422, COM3~6 RS232 on 2\*15P Phoenix connector, COM3 RS485 selectable
- 4-in 4-out GPIO, 4\*USB3.0, 2\*USB2.0
- 9~36V power input
- Aluminum case, fanless design

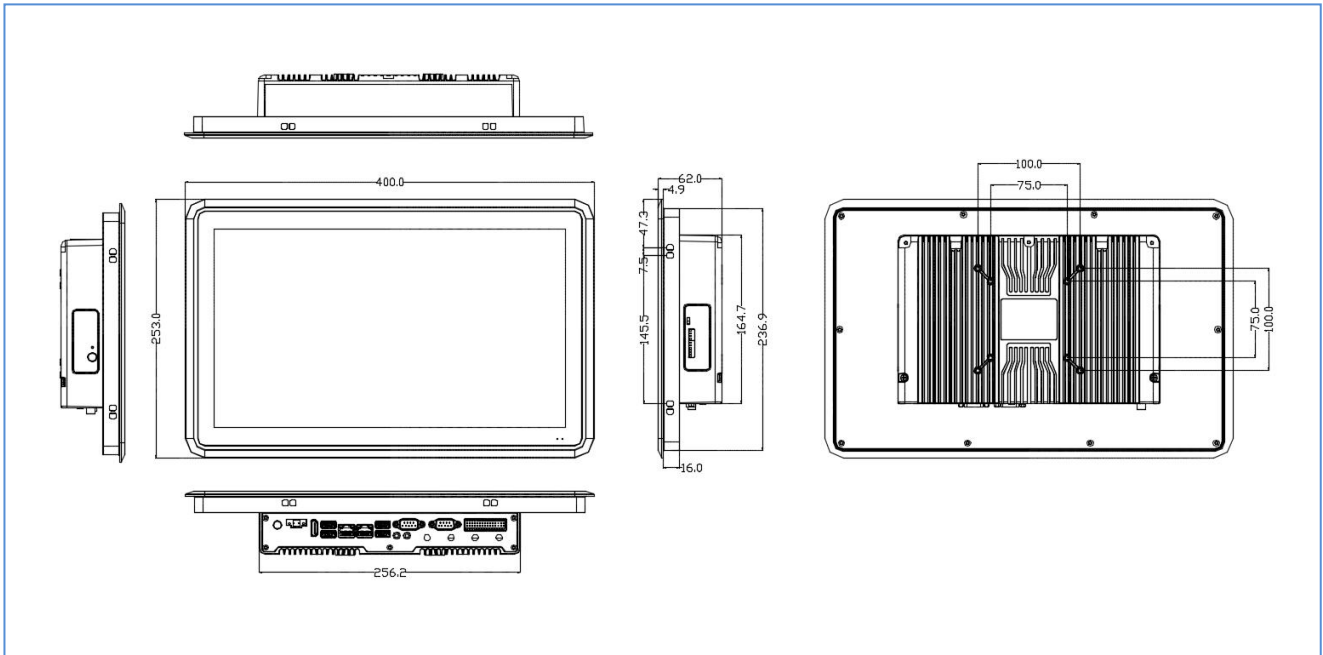
Model No.	P1581Y-C6 V1.0(J6412)	
Chassis	Material/Structure	Aluminum case, fanless design
	Ingress protection	IP65 (Front panel)
	Dimension	L400*W253*62Hmm
	Net Weight	3.2KG
	Installation	VESA mount / embedded
LCD Screen	Type	15.6" full HD wide screen
	Resolution	1920 * 1080
	Luminance	250cd/m <sup>2</sup>
Touch Screen	Type	Capacitive, 10 point touch
	Light Transmission	>85%
Mainboard	CPU	Intel®Celeron J6412/2.00GHz quad core 4-thread processor, TDP 10W
	Graphics	Intel® UHD Graphics
	Memory	2* DDR4-3200 SODIMM RAM slot, up to 32GB
IO Port	POWER	1*Power button, 1* One-key recovery, 1*AC LOSS (auto power ON/OFF) 1*CMOS button
	Display	1*HDMI (4096x2160@60Hz)
	LAN	2*Intel I210 Gigabit Ethernet, support Wake On LAN、PXE
	USB	4*USB3.0, 2*USB2.0
	Audio	1*Line out, 1*MIC
	COM	6*RS232, COM1 ~2 DB9 RS232, COM2 RS485/422 selectable, COM3~6 RS232 on 2*15pin Phoenix connector, COM3 RS485 selectable, COM1-2 support pin9 charged function
	Phoenix Connector	2*12PIN(4-in 4-out GPO/Power signal/COM3~COM6 (RS232/RS485) /5V VCC/GND)
	DIP switch	10-digit dip switch for COM2~6 RS232/485 select
	Power	DC9~36V power input, 1*DC aviation port, 1*2Pin Phoenix connector
Storage	SATA	1*2.5" SATA hard disk
	MSATA	1*MSATA
	M.2	1*M.2 SSD port, support Key-M, 2280, NVME PCIe4 SSD
Expansion	Mini PCIE	1*MiniPCIE, support 4G module
OS Support	Microsoft	Windows 10
	Linux	Ubuntu
Power Supply	Power Type	External power supply
	Voltage Input	9V~36V
	Consumption	36W~180W
Environment	Operating Temp.	0°C ~ 50°C
	Storage Temp.	-20°C ~ 70°C
	Relative Humidity	5%-95% relative humidity, non-condensing
	Vibration	0.5g rms/5-500HZ/random/operating



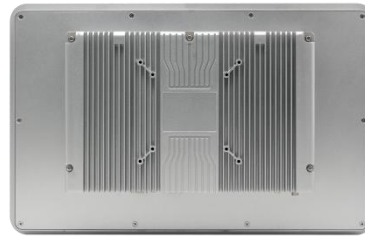
Industrial Panel PC

All product specifications are subject to change without prior notice

# P1581Y-C6 Dimension



Front View



Rear View

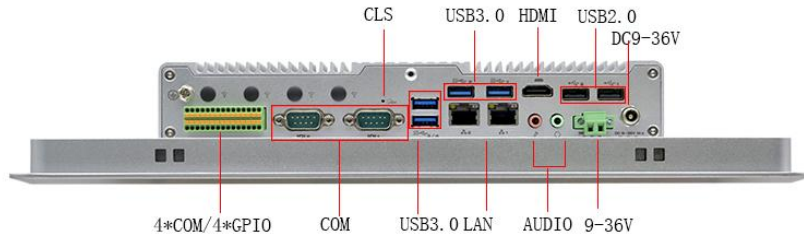


Lateral I/O View



## Industrial Panel PC

All product specifications are subject to change without prior notice



Bottom I/O View

## Order Information

No.	Model	CPU	Memory	Motherboard	IO Board	GPIO	LAN	COM	HDMI	USB 2.0	USB 3.0	power
1	P1581Y-C6 V1.0(J6412)	J6412/2.00G	2*SODDDR4	P641	P1081-C6/P1071-LED	4-in 4-out	2	6	1	2	4	9~36V
2	P1581Y-C6 V1.0(8260U)	I5-8260U/1.6G	2*SODDDR4	P81	P1081-C6/P1071-LED	4-in 4-out	2	6	1	2	4	9~36V
3	P1581Y-C6 V1.0(7300U)	I5-7300U/2.6G	2*SODDDR4	P67	P1081-C6/P1071-LED	4-in 4-out	2	6	1	2	4	9~36V
4	P1581Y-C6 V1.0(1135G7)	I5-1135G7/2.4G	2*SODDDR4	P110	P1081-C6/P1071-LED	4-in 4-out	2	6	1	2	4	9~36V

NOTE: Note: COM2 RS232/RS485 selectable via DIP switch, RS422 selectable via COM1\_SW1 jumper on I/O board



Industrial Panel PC

All product specifications are subject to change without prior notice