

P1041Y-R3



Features

- 10.1" wide screen/1280*800/16: 10, capacitive touch
- Rockchip RK3568B2 quad-core Cortex-A55 CPU
- 1*Phoenix connector (2*RS232/RS485/ power/ GPIO)
- 1*HDMI IN, 1*HDMI OUT
- 2* Gigabit Ethernet, support POE
- 2*RS232, 2*RS485
- 1*USB3.0, 3*USB2.0
- DC 9-36V

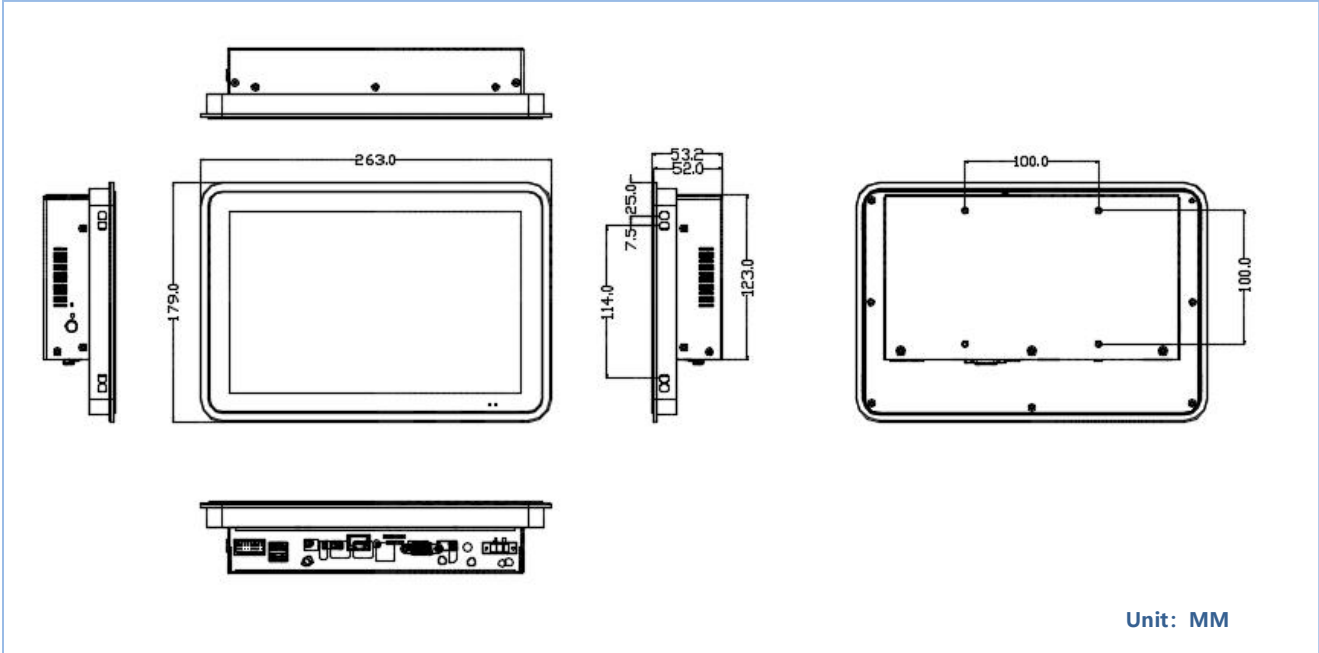
Model No.	P1041Y-R3 V0.1 (CK35H)	
Chassis	Material/Structure	Aluminum case, fanless design
	Color	Silver
	Dimension	L263*W179*H52mm
	Net Weight	
	Installation	VESA mount / embedded
LCD Screen	Type	10.1"LCD, wide screen, 16:10
	Resolution	1280 * 800
	Luminance	400 cd/m2
Touch Screen	Type	Capacitive, 10-point touch
	Light Transmission	>80%
Motherboard	CPU	CPU Rockchip RK3568B2 Quad-core Cortex-A55 up to 2.0GHz processor
	Graphics	ARM Mali-G52 GPU, support OpenGL ES 1.1/2.0/3.2, OpenCL 2.0, Vulkan 1
	Memory	Onboard LPDDR4 4GB (2G/8G optional)
IO Port	USB	1* USB3.0,1* USB2.0(bottom USB3.0, upper USB2.0 OTG)
		2* USB2.0
	HDMI	1* HDMI IN
		1* HDMI OUT
	LAN	2* Gigabit Ethernet (support POE)
	Audio	1* Line-out/Line-in 2-in-1 (black)
	Phoenix Connector	1* Phoenix connector (4*RS232/RS485 optional/power signal/GPIO 4-in 4-out)
	Power	1* power adapter port, DC 9-36V
		1* 2PIN Phoenix connector, DC 9-36V
	REC	1* REC Key
	Power Button	1* Power Button
	SIM	1* SIM slot
	TF	1* TF card slot
	Speaker	2* 4Ω 2W speaker
Storage	eMMC5.1	1*eMMC5.1 32G (16GB/32GB/64GB/128GB optional)
Expansion	Mini PCIE	1*Mini-PCIE (SSD), 1*M.2 support WiFi/4G module
OS Support	Android	Android 10
	Linux	Ubuntu20.04
Power Supply	Power Type	External power adapter (can support built-in battery 7.4V3500mA)
	Voltage Input	DC 9~36V
Environment	Operating Temp.	-10℃ ~ 50℃
	Storage Temp.	-20℃ ~ 70℃
	Relative Humidity	5%-95% relative humidity, non-condensing
	Vibration	0.5g rms/5-500HZ/random/operating



Panel PC

All product specifications are subject to change without prior notice

Dimension

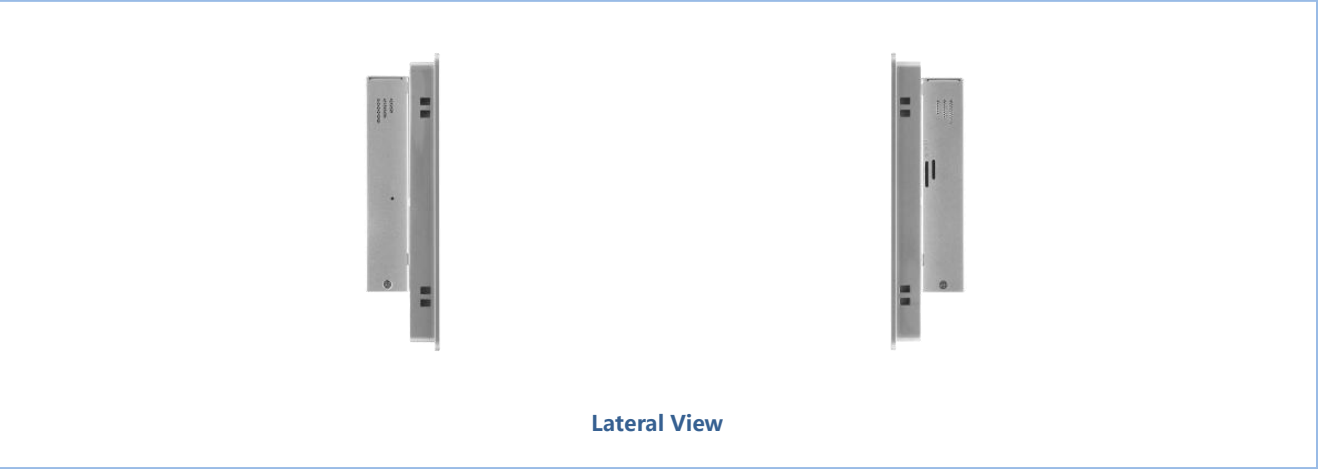


Unit: MM



Front View

Rear View



Lateral View





Bottom I/O View

Order Information

No.	Model	CPU	Memory	Motherboard	IO Board	GPIO	LAN	COM	HDMI	VGA	USB 3.0	USB 2.0	power
1	P1041Y-R3 V1.0(CK35H)	RK3568	LPDDR4 4G	CK35H	P1042-R3	8	2	2	2	/	1	3	9~36V
2	P1041Y-R3V1.0(CK33H)	RK3399	LPDDR3 4G	CK33H	P1042-R3	8	2	2	2	/	1	3	9~36V

Accessory List

No.	Part No.	Description	Qty	Unit	Remark
1	03.02.N12-KAKOU-12	Buckle, L16.7*W16.2*H14.4mm	4	pcs	Standard Configuration
2	03.03.J01-0H015-00	Power Cable L=1.5m	1	pcs	Optional
3	03.01.DC0-L090F-90	DC12V/7.5A/90W/DC connector 2.5/5.5/power adapter	1	pcs	Optional
4	03.01.DC0-KPL60-50	DC12V/5A/60W/DC connector 2.5/5.5/power adapter	1	pcs	Optional