

C5750Z-L4



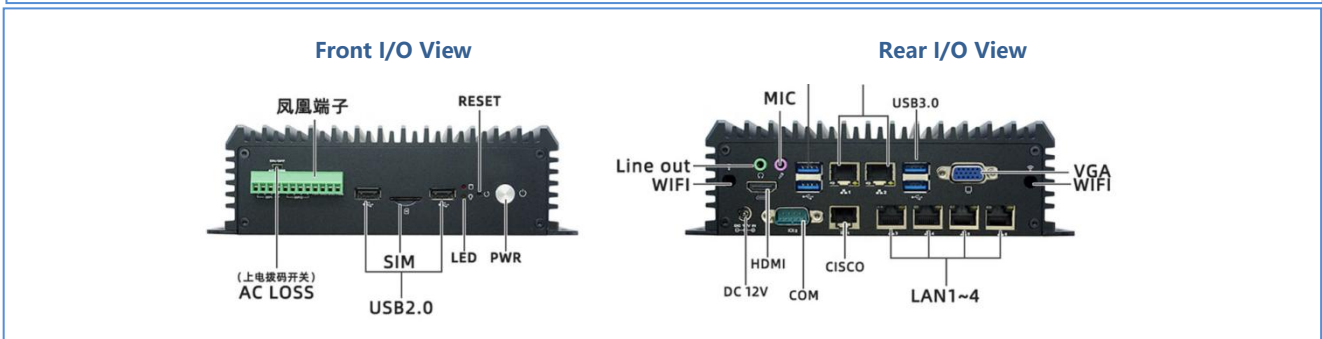
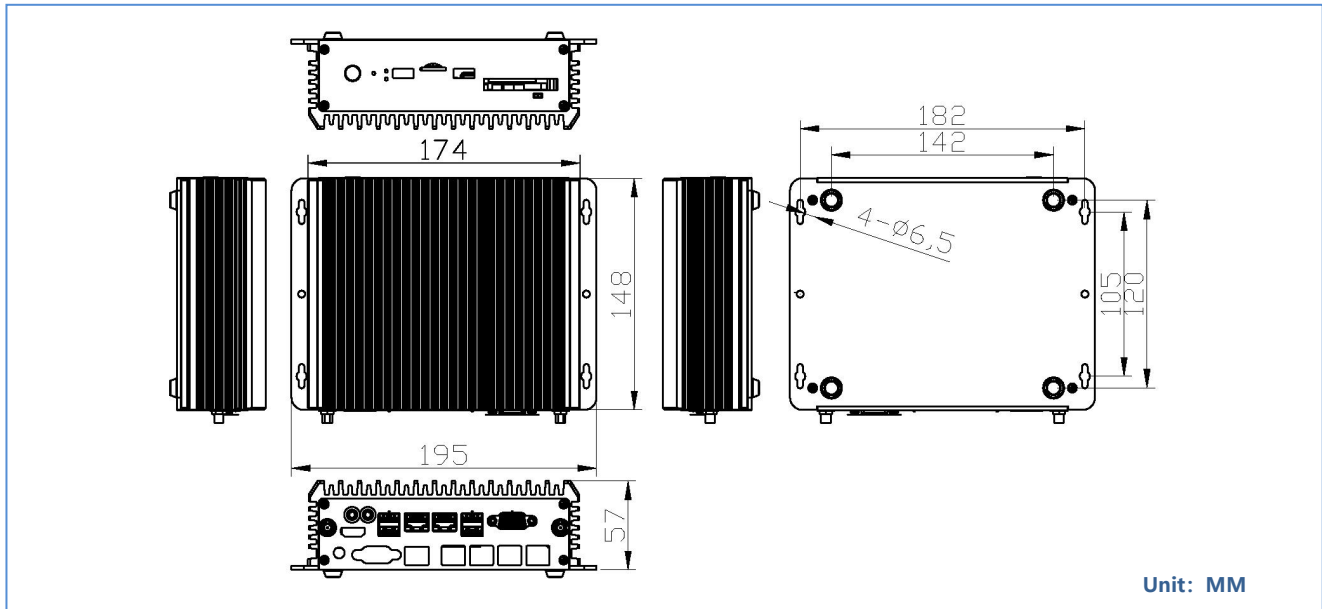
Features

- Intel®i5-6300U/2.40GHz dual cores 4-thread CPU
- 2*SODIMM DDR4 RAM slot, 2133MHz, up to 32GB
- 1*HDMI , 1*VGA, dual independent display
- 6*Intel I210 Gigabit LAN port
- 1*DB9 RS232 / RS485, 1*RJ45 RS232
- 1*12Pin Phoenix connector (include 4-in 4-out GPIO/power signal/5V/GND)
- 4*USB3.0, 2*USB2.0
- DC12V

Specification

Model No.	C5750Z-L4 V1.1(6300U)	
Chassis	Material/Structure	Fanless design, full aluminum chassis
	Color	Black
	Dimension	174mm*148mm*57mm
	Net Weight	1.35KG
	Installation	Desktop/Embedded
Motherboard	CPU	Onboard Intel®i5-6300U/2.40GHz dual Cores 4-thread processor, TDP 15W
	Graphics	Integrated Intel®HD Graphics 520
	Memory	2*DDR4 SODIMM RAM slot, 2133MHz, up to 32GB
Front I/O Port	POWER	1* Power button, 1* Reset button, 1*AC LOSS (auto power ON/OFF)
	LED	1*Power LED, 1*HDD LED
	USB	2*USB2.0
	SIM	1*SIM slot
	Phoenix Connector	1*12pin (include 4-in 4-out GPIO, 1* Power signal, 1*5V, GND)
Rear I/O Port	Display	1*VGA, 1*HDMI1.4
	LAN	6*Intel I210 Gigabit LAN port
	USB	4*USB3.0, 1* internal USB2.0 port (built-in)
	COM	1*DB9 RS232/485, 1*RJ45 RS232
	Audio	1*Line out, 1* MIC
	Power	1*12V DC_In Jack
Storage	SATA	1*2.5" SATA port
	MSATA	1*MSATA
Expansion	MINIPCIE	1*Mini PCIE slot, support 4G/WiFi
OS Support	Windows	Windows 7 / Windows 10
	Linux	Ubuntu
	Watch Dog	Support hardware reset function (L256, 0~255 seconds)
Power Supply	Power Type	External power adaptor
	Voltage Input	DC 12V
	Power Output	AC TO DC、60W
Environment	Operating Temp.	-10°C ~ 50°C
	Storage Temp.	-20°C ~ 70°C
	Relative Humidity	5%-95% relative humidity, non-condensing
	Working Vibration	0.5g rms/5-500HZ/random/operating

C5750Z-L4 Dimension



Order Information

No.	Model	Processor	Memory	MB	IO Board	GPIO	LAN	COM	HDMI	VGA	USB2.0	USB3.0	power
1	C5750Z-L4 V1.1(5020U)	i3-5020U/2.0G	1*SODDR3L	C43_I326D	C57-L4/C68-HM/C68-G12	4进4出	6	2	1	1	4	2	DC 12V
2	C5750Z-L4 V1.1(6650U)	i7-6650U/2.2G	2*SODDR4	C58_I726D	C57-L4/C68-HM/C68-G12	4进4出	6	2	1	1	2	4	DC 12V
3	C5750Z-L4 V1.1(6300U)	I5-6300U/2.4G	2*SODDR4	C58_I526D	C57-L4/C68-HM/C68-G12	4进4出	6	2	1	1	2	4	DC 12V
4	C5750Z-L4 V1.1(7200U)	I5-7200U/2.5G	2*SODDR4	C58_I526D	C57-L4/C68-HM/C68-G12	4进4出	6	2	1	1	4	2	DC 12V
5	C5750Z-L4 V1.1(8145U)	I3-8145U/2.1G	2*SODDR4	C81-I326D	C57-L4/C68-HM/C68-G12	4进4出	6	2	1	1	4	2	DC 12V
6	C5750Z-L4 V1.1(8265U)	I5-8265U/1.6G	2*SODDR4	C81-I526D	C57-L4/C68-HM/C68-G12	4进4出	6	2	1	1	4	2	DC 12V
7	C5750Z-L4 V1.1(8565U)	I7-8565U/1.8G	2*SODDR4	C81-I726D	C57-L4/C68-HM/C68-G12	4进4出	6	2	1	1	4	2	DC 12V

Note: MB C43 / C641 LAN6 and WIFI optional, default LAN6