

C5-NNZ-10210U-L4



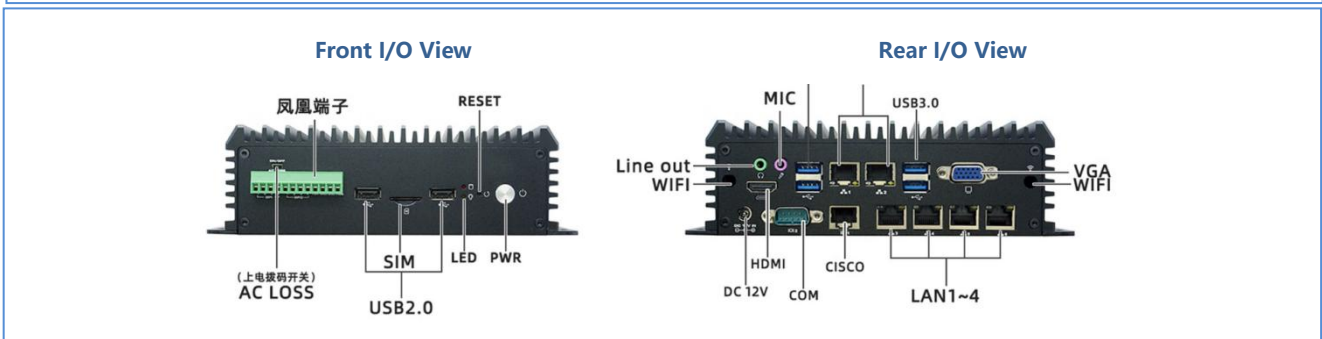
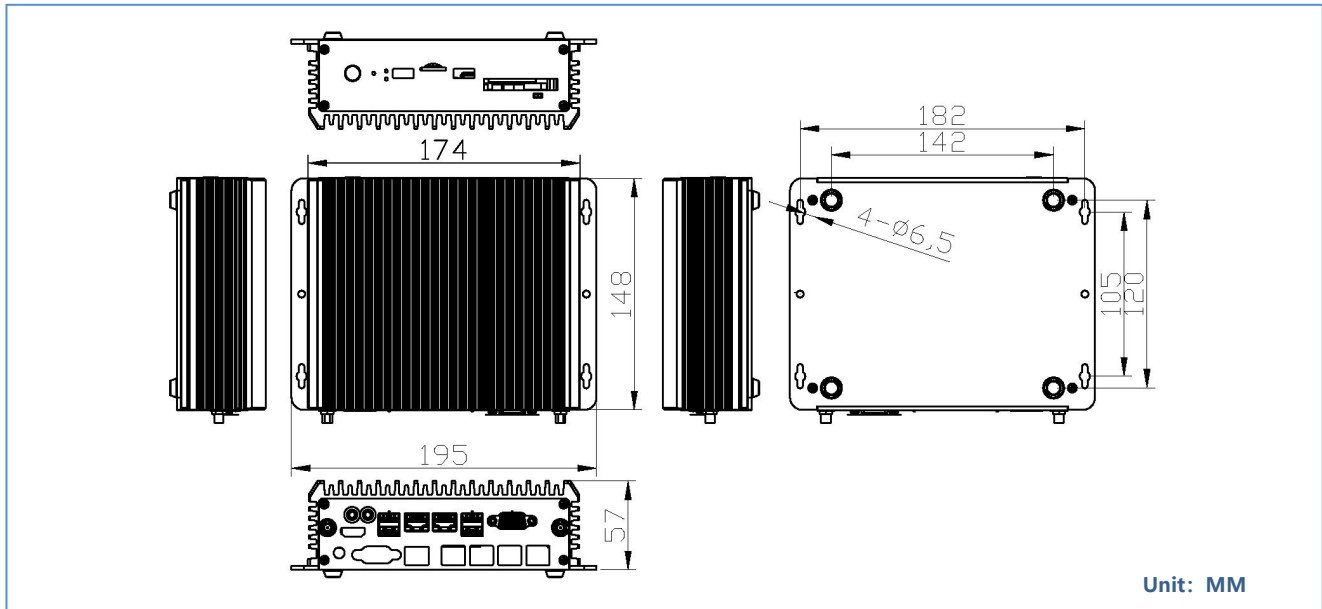
Features

- Onboard Intel®i5-10210U/1.6GHz quad core CPU
- 2*SODIMM DDR4 2400MHz, up to 32GB
- 1*HDMI, 1*VGA, dual independent display
- 6*Intel I210 Gigabit LAN port
- 1*DB9 RS232 / RS485, 1*RJ45 RS232
- 1*12Pin Phoenix connector (include 4-in 4-out GPIO/power signal/5V/GND)
- 4*USB3.0, 2*USB2.0
- DC12V

Specification

Model No.	C5-NNZ-L4 (10210U)	
Chassis	Material/Structure	Fanless design, full aluminum chassis
	Color	Black
	Dimension	174mm*148mm*57mm
	Net Weight	1.35KG
	Installation	Desktop/Embedded
Motherboard	CPU	Onboard Intel®i5-10210U/1.60GHz quad core 8-thread processor, TDP 15W
	Graphics	Integrated Intel®UHD Graphics
	Memory	2*SODIMM DDR4 2666MHz, up to 64GB
Front I/O Port	POWER	1* Power button, 1* Reset button, 1*AC LOSS (auto power ON/OFF)
	LED	1*Power LED, 1*HDD LED
	USB	2*USB2.0
	SIM	1*SIM slot
	Phoenix Connector	1*12pin (include 4-in 4-out GPIO, 1* Power signal, 1*5V, GND)
Rear I/O Port	Display	1*VGA, 1*HDMI1.4
	LAN	6*Intel I210 Gigabit LAN port
	USB	4*USB3.0, 1*internal USB2.0 (horizontal)
	COM	1*DB9 RS232/485, 1*RJ45 RS232
	Audio	1*Line out, 1* MIC
	Power	1*12V DC_In Jack
Storage	SATA	1*2.5" SATA port
	MSATA	1*MSATA
Expansion	MINIPCIE	1*Mini PCIE slot, support 4G/WiFi
OS Support	Windows	Windows 10
	Linux	Ubuntu
	Watch Dog	Support hardware reset function (L256, 0~255 seconds)
Power Supply	Power Type	External power adaptor
	Voltage Input	DC 12V
	Power Output	AC TO DC, 60W
Environment	Operating Temp.	-10°C ~ 50°C
	Storage Temp.	-20°C ~ 70°C
	Relative Humidity	5%-95% relative humidity, non-condensing
	Working Vibration	0.5g rms/5-500HZ/random/operating

C5-NNZ-L4 Dimension



Order Information

No.	Model	Processor	Memory	MB	IO Board	GPIO	LAN	COM	HDMI	VGA	USB2.0	USB3.0	power
1	C5-NNZ-6300U-L4	I5-6300U/2.4G	2*SODDR4	C58_I526D	C57-L4/C68-HM/C68-G12	4-in 4-out	6	2	1	1	2	4	DC 12V
2	C57-NNZ-8565U-L4	I7-8565U/1.8G	2*SODDR4	C81-I726D	C57-L4/C68-HM/C68-G12	4-in 4-out	6	2	1	1	4	2	DC 12V
3	C5-NNZ-10210U-L4	I5-10210U/1.6G	2*SODDR4	C100_J126D	C57-L4/C68-HM/C68-G12	4-in 4-out	6	2	1	1	4	2	DC 12V
4	C5-NNZ-J6412-L4	J6412/2.0G	2*SODDR4	C641_J126D	C57-L4/C68-HM/C68-G12	4-in 4-out	6	2	1	1	4	2	DC 12V