

# C2-NNZ-8265U-EC2

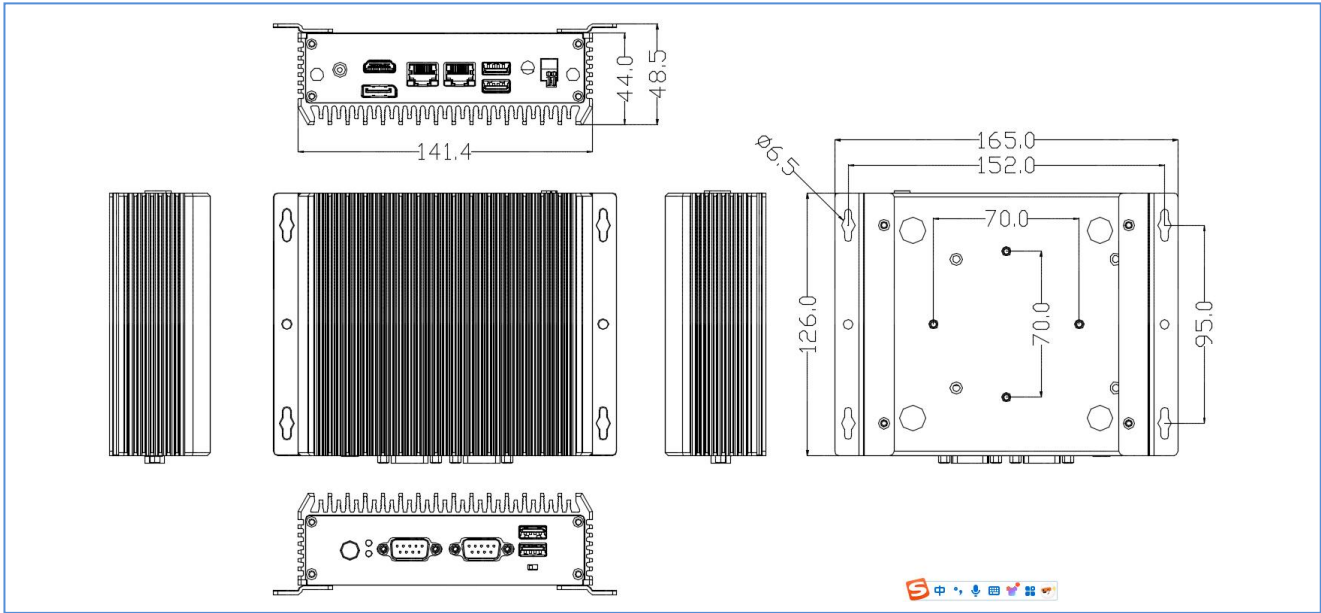


## Features

- Integrated Intel i5-8265U CPU, quad cores 8-thread
- Integrated LPDDR3 8GB 2133MHz memory
- Integrated Intel AC 9560 WiFi + Bluetooth chip
- 1\*HDMI, 1\*DP
- 2\*RTL8111H
- 2\*RS232
- 1\*USB3.0, 3\*USB2.0
- DC 12V
- Fanless design

Model No.	C2-NNZ-8265U-EC2	
Chassis	Material/Structure	Full aluminum case, fanless design
	Color	Black
	Dimension	141.4*126*44 mm (L*W*H)
	Net Weight	0.8KG
	Installation	VESA/Desktop/Embedded
Motherboard	CPU	Integrated Intel®i5-8265U/1.60GHz quad core 8-thread processor, TDP 15W
	Memory	Integrated 8G LPDDR3 2133MHz
	WiFi	Integrated Intel® AC 9560 WiFi + Bluetooth 5.0 chip
Front I/O Port	POWER	1* Power button, 1*ACLOSS (auto power ON/ OFF)
	LED	1* Power LED, 1* HDD LED
	USB	1*USB3.0, 1*USB2.0
	COM	2*RS232
Rear I/O Port	Display	1*HDMI(4096x2304@60Hz), 1*DP(4096x2304@60Hz), dual independent display
	LAN	2*RTL8111H Gigabit Ethernet, support Wake On LAN, PXE
	USB	2*USB2.0
	Phoenix Connector	1*2Pin (remote control)
	Audio	1*Audio, Line out & MIC 2-in-1
	Power	1*DC 12V (5.5*2.5)
Storage	M.2	1*M.2 slot, support Key-M, 2280, NVME PCIe4 SSD
OS Support	Windows	Windows 10
	Linux	Ubuntu
	Watch Dog	Support hardware reset function (L256, 0~255 seconds)
Power Supply	Power Type	External power adapter
	Voltage	DC 12V
	Consumption	AC TO DC, 60W
Environment	Operating Temp.	-10°C ~ 50°C
	Storage Temp.	-20°C ~ 70°C
	Relative Humidity	5%-95% relative humidity, non-condensing
	Vibration	0.5g rms/5-500HZ/random/operating

Dimension



Order Information

No.	Model	Processor	Memory	Motherboard	IO Board	HDD	LAN	COM	HDMI	DP	USB3.0	USB2.0	power
1	C2-NNZ-8265U-EC2	I5-8265U/1.6G	LPDDR3 8G 2133MHz	Intel NUC	NFE100-C2	M.2	2*8111H	2	1	1	1	3	DC 12V

Accessory List

No.	Part No.	Description	Qty	Unit	Remark
1	03.02.N05-NC43L-100	Wall-mount bracket, L126*W28.5*T4.5mm	1	Set	Standard Configuration
2	03.01.DC0-KPL60-50	DC12V/5A/60W/DC 5.5*2.5 power adapter	1	PCS	Optional
3	03.03.J01-0H015-00	Power cable_L=1.5m	1	PCS	Optional
4	03.02.N05-B0039-00	Mounting bracket/L110*W110*H4.5mm	1	Set	Optional
5	03.02.GF9-VESAE-01	VESA bracket/75mm-100mm/with screws/black	1	Set	Optional