



## MODEL1100 Series

Wall Mounting or DIN-Rail Mounting  
2-port 100M Media Converter

- Support 1 100M copper port and optional 1 100M 1×9 fiber port or 1 100M SFP slot
- Support 220VAC/DC, -48VDC built-in power supply, and 5VDC external power supply
- Support -10~60°C wide operating temperature range



# Introduction

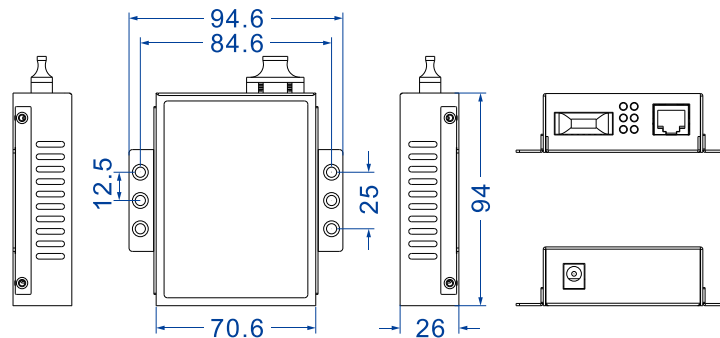
MODEL1100 series are 2-port 100M media converters, which can convert Ethernet electrical signal into Ethernet optical signal. This can extend transmission distance, and has great isolation protection and data security. This series has 4 different products, provides 100M copper ports, 100M 1×9 fiber ports and 100M SFP slot and supports optional 5VDC, -48VDC or 220VAC/DC power supply. They adopt wall or DIN-Rail mounting to meet the requirements of different application scenes.

This product conforms to CE and FCC certification standards. Hardware adopts fanless, low power consumption, wide temperature and voltage design and has passed rigorous industrial standard tests, which can suit for the industrial scene environment with harsh requirements.

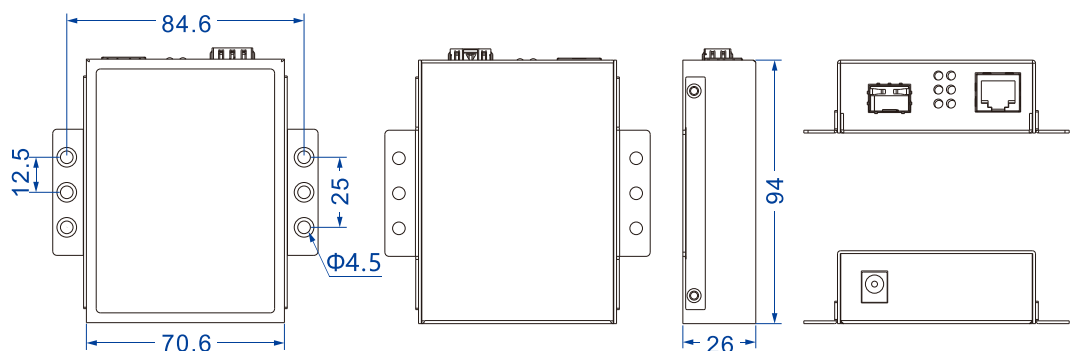
# Dimension

Unit: mm

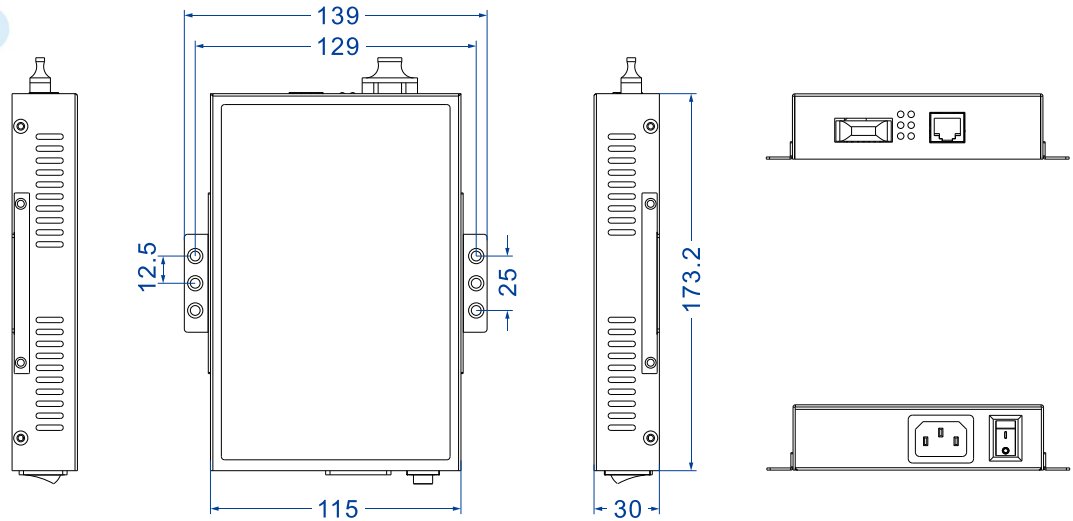
- MODEL1100-5VDC (external 5VDC power supply)



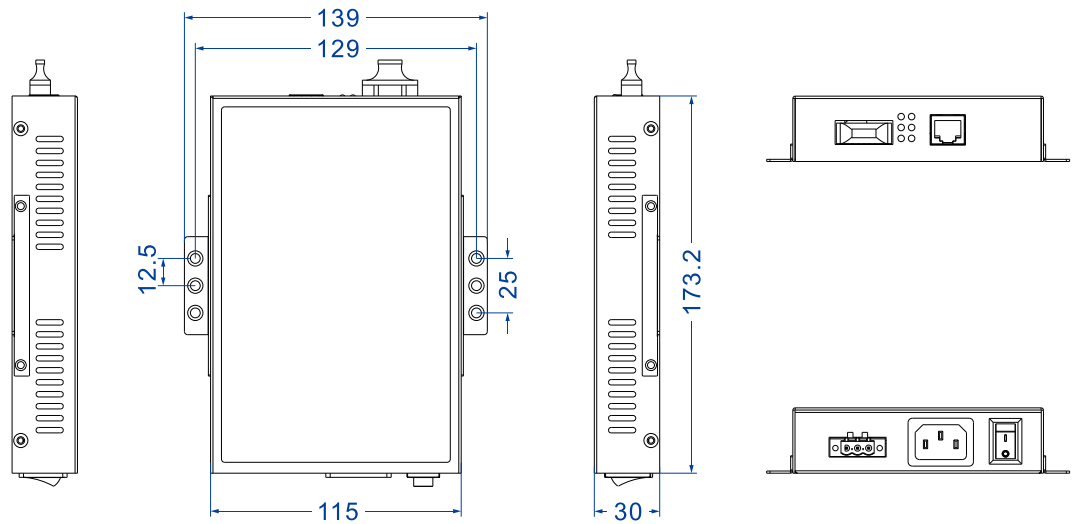
- MODEL1100-S-5VDC (external 5VDC power supply)



- MODEL1100-220VAC (built-in 220VAC/DC power supply)



● MODEL1100-48VDC (built-in -48VDC power supply)



## Specification

|                     |  |
|---------------------|--|
| Standard & Protocol | IEEE 802.3 for 10Base-T<br>IEEE 802.3u for 100Base-TX and 100Base-FX   |
| Copper Port;        | 10/100Base-T(X), RJ45, Automatic Flow Control, Full/half Duplex Mode, MDI/MDI-X Autotuning                                     |
| Fiber Port          | Standard: 100Base-FX<br>Connection: 1×9 fiber port (SC/ST/FC optional) or SFP slot (LC) optional<br><br>Transmission distance: |

|  |  |
|--|--|
|  | <ul style="list-style-type: none"> <li>● multimode: 2km</li> <li>● single mode: 20/40/60/80/100/120km</li> </ul> <p>Fiber optical cable:</p> <ul style="list-style-type: none"> <li>● multimode: 50/125μm or 62.5/125μm;</li> <li>● single mode: 8.3/125μm, 8.7/125μm, 9/125μm or 10/125μm</li> </ul> <p>Transmission wavelength:</p> <ul style="list-style-type: none"> <li>● multimode: 1310nm</li> <li>● single mode: 1310nm or 1550nm</li> </ul> |
|--|--|

|                  |                                 |
|------------------|---------------------------------|
| <b>Indicator</b> | Port indicator, Power indicator |
|------------------|---------------------------------|

|                     |   |
|---------------------|---|
| <b>Power Supply</b> | <p>Support 3 power supply input schemes</p> <ul style="list-style-type: none"> <li>● External 5VDC, DC round head</li> <li>● Built-in 220VAC/DC, AC outlet with switch</li> <li>● Built-in -48VDC 3-pin 5.08mm pitch terminal blocks</li> </ul> |
|---------------------|---|

|                          |   |
|--------------------------|---|
| <b>Power Consumption</b> | <p>No-load: 0.6W</p> <p>Full-load: 1.4W</p> |
|--------------------------|---|

|                            |   |
|----------------------------|---|
| <b>Working Environment</b> | <p>Operating temperature: -10~60°C</p> <p>Storage temperature: -20~70°C</p> <p>Relative humidity: 5%~95%(no condensation)</p> |
|----------------------------|---|

|                                |  |
|--------------------------------|--|
| <b>Physical Characteristic</b> | <p>Shell: metal shell</p> <p>Installation: wall or DIN-Rail mounting</p> <p>Dimension (W x H x D): 70.6mm×26mm×94mm (external power supply) 115mm×30mm×173.2mm (built-in power supply)</p> |
|--------------------------------|--|

|                      |               |
|----------------------|---------------|
| <b>Certification</b> | CE, FCC, RoHS |
|----------------------|---------------|

|                 |         |
|-----------------|---------|
| <b>Warranty</b> | 3 years |
|-----------------|---------|

## Ordering Information

| Available Models   | 100M Fiber Port | 100M SFP | 100M Copper Port | Power supply |
|--------------------|-----------------|----------|------------------|--------------|
| MODEL1100-5VDC-N   | 1               | –        | 1                | 5VDC         |
| MODEL1100-S-5VDC-N | –               | 1        | 1                |              |
| MODEL1100-220VAC-N | 1               | –        | 1                | 220VAC/DC    |
| MODEL1100-48VDC-N  | 1               | –        | 1                | 48VDC        |