



IES2300SL with Fiber-Port Series

DIN-Rail or Wall Mounting

6/10/18-Port Gigabit Layer 2 Unmanaged Industrial Ethernet Switch (Optional PoE)

- Support 2 Gigabit SFP slots and 4 Gigabit copper ports
- Support 2 Gigabit SFP slots and 8/16 Gigabit copper ports (Optional PoE)
- In PoE products, the maximum power consumption is 240W
- Support dual power redundancy. The input voltage of non-PoE products: 12~60VDC, and that of PoE products: 44~57VDC
- Support -40~75°C wide operating temperature range



Introduction

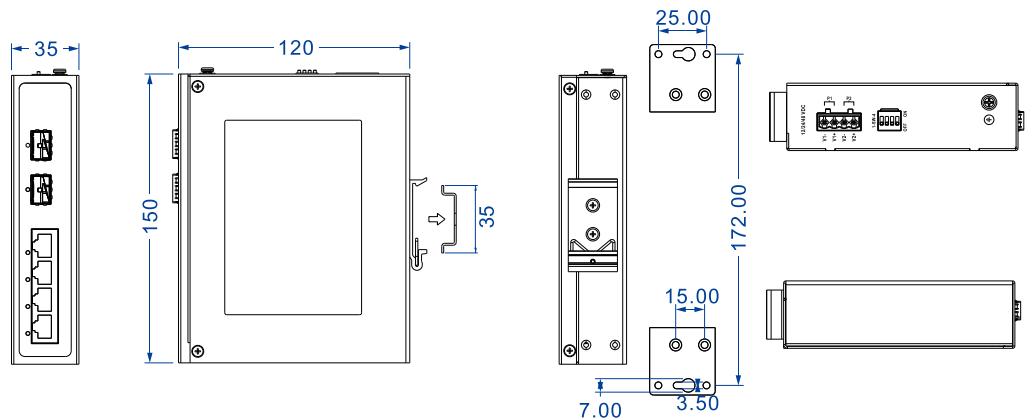
IES2300SL Fiber-Port series is a 6/10/18-port Gigabit layer 2 unmanaged industrial Ethernet switch with optional PoE. PoE power supply conforms to IEEE802.3af/at protocol standard. This series supports Gigabit SFP slot, Gigabit copper port and Gigabit PoE copper port. They adopt DIN-Rail or wall mounting to meet the requirements of different application scenes.

The input power supply is two independent power supply circuits which can ensure the normal operation of the device when one power supply fails. DIP switch can achieve device reboot. Hardware adopts fanless, low power consumption, wide temperature and voltage design and has passed rigorous industrial standard tests, which can suit for the industrial scene environment with harsh requirements for EMC. It can be widely used in smart city, safety city, intelligent manufacturing and other industrial fields.

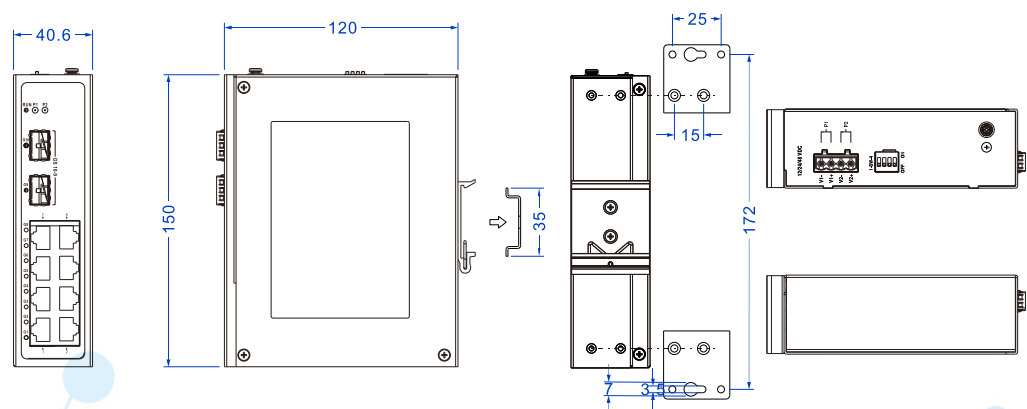
Dimension

Unit: mm

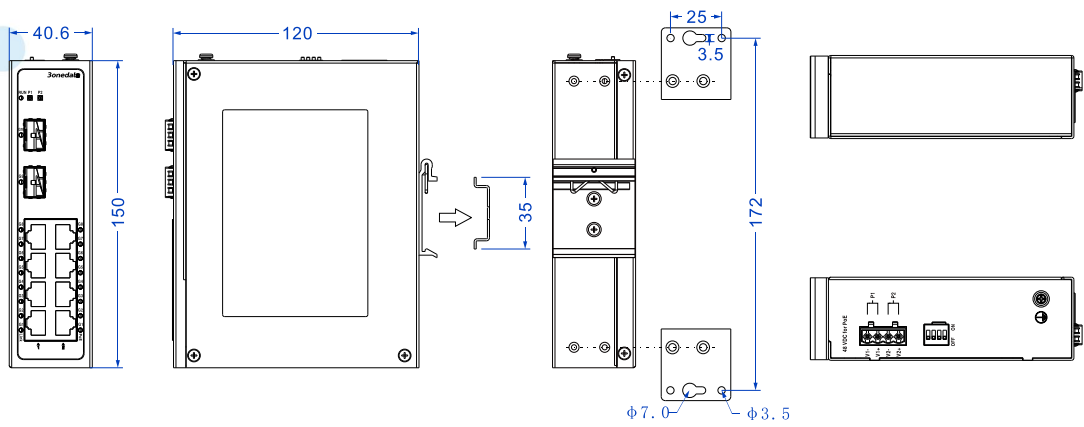
- IES2300SL-4GT2GS-2LV



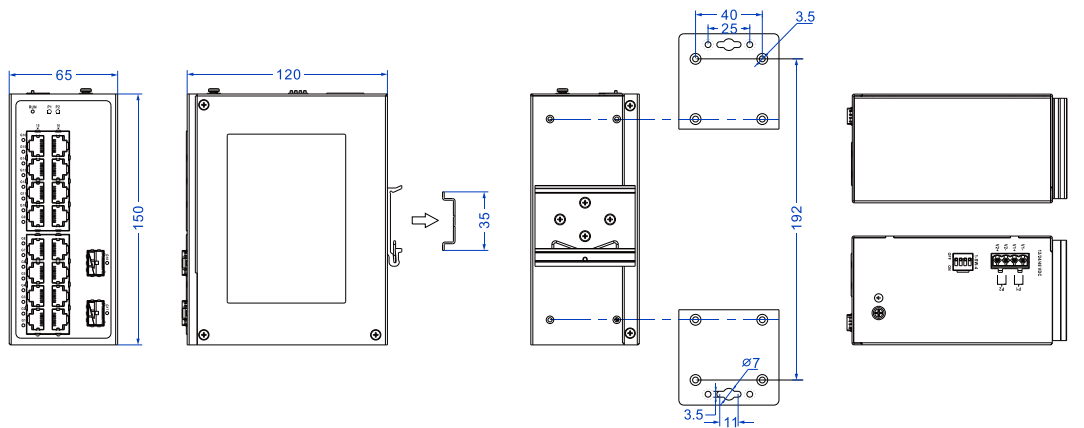
- IES2300SL-8GT2GS-2LV



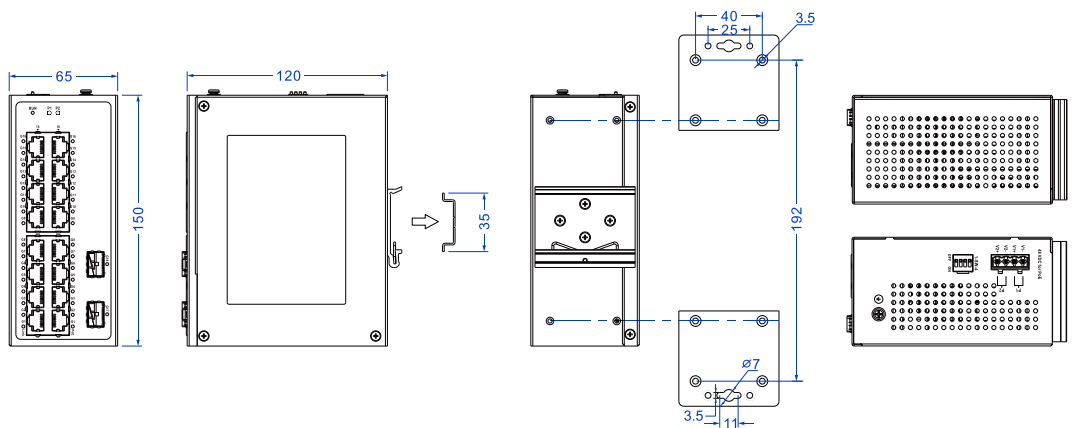
- IES2300SL-8GP2GS-2LV



● IES2300SL-16GT2GS-2LV



● IES2300SL-16GP2GS-2LV



Specification

Standard & Protocol

IEEE 802.3 for 10Base-T
 IEEE 802.3u for 100Base-TX and 100Base-FX
 IEEE 802.3z for 1000Base-X
 IEEE 802.3ab for 1000Base-T
 IEEE 802.3x for Flow Control
 IEEE 802.3af for PoE

	IEEE 802.3at for PoE+
--	-----------------------

PoE (optional)	The maximum power of PoE port: 30W The power supply pin of PoE: V+, V+, V-, V- correspond to Pin 1, 2, 3, 6
----------------	--

Interface	Gigabit Copper Port: 10/100/1000Base-T(X) self-adaption, RJ45, Automatic Flow Control, Full/Half Duplex Mode, MDI/MDI-X Autotuning, optional PoE Gigabit SFP: 100/1000 Base-X SFP slot, self-adaption or forced mode
-----------	---

Indicator	Running Indicator, Power Supply Indicator, Interface Indicator, PoE Indicator (PoE device)
-----------	--

Switch Property	<p>IES2300SL-4GT2GS-2LV</p> <ul style="list-style-type: none"> ● Transmission mode: store and forward ● MAC address: 2K ● Backplane bandwidth: 16Gbps ● Switch time delay: <10μs
	<p>IES2300SL-8GT2GS-2LV, IES2300SL-8GP2GS-2LV</p> <ul style="list-style-type: none"> ● Transmission mode: store and forward ● MAC address: 4K ● Cache: 2.5Mbit ● Backplane bandwidth: 20Gbps ● Switch time delay: <10μs
	<p>IES2300SL-16GT2GS-2LV, IES2300SL-16GP2GS-2LV</p> <ul style="list-style-type: none"> ● Transmission mode: store and forward ● MAC address: 8K ● Cache: 4.1Mbit ● Backplane bandwidth: 52Gbps ● Switch time delay: <10μs

Power Supply	IES2300SL-4GT2GS-2LV, IES2300SL-8GT2GS-2LV, IES2300SL-16GT2GS-2LV
	<ul style="list-style-type: none"> ● Power supply input: 12~60VDC, dual power supply redundancy ● Connection mode: adopt 4-pin 5.08mm pitch terminal blocks ● Connection protection: support anti-reverse connection

IES2300SL-8GP2GS-2LV, IES2300SL-16GP2GS-2LV

- Power supply input: 44~57VDC, dual power supply redundancy
- Connection mode: adopt 4-pin 5.08mm pitch terminal blocks
- Connection protection: support anti-reverse connection

Power Consumption

IES2300SL-4GT2GS-2LV

- No-load: 0.8W@48VDC
- Full-load: 3.6W@48VDC

IES2300SL-8GP2GS-2LV

- No-load: 2.43W@48VDC
- Full-load (PoE): 229.4W@48VDC

IES2300SL-16GP2GS-2LV

- No-load: 5.32W@48VDC
- Full-load (without PoE): 12.96W@48VDC
- Full-load (with PoE): 238W@48VDC

Working Environment

Operating temperature: -40~75°C

Storage temperature: -40~85°C

Relative humidity: 5%~95% (no condensation)

Mechanical Structure

IES2300SL-4GT2GS-2LV

- Housing: IP40 protection, metal
- Installation: DIN-Rail or wall mounting
- Dimension (W x H x D): 35mm×150mm×120mm
- Weight: 562g

IES2300SL-8GT2GS-2LV

- Housing: IP40 protection, metal
- Installation: DIN-Rail or wall mounting
- Dimension (W x H x D): 40.6mm×150mm×120mm

IES2300SL-8GP2GS-2LV

- Housing: IP40 protection, metal
- Installation: DIN-Rail or wall mounting
- Dimension (W x H x D): 40.6mm×150mm×120mm
- Weight: 639g

IES2300SL-16GT2GS-2LV

- Housing: IP40 protection, metal
- Installation: DIN-Rail or wall mounting
- Dimension (W x H x D): 65mm×150mm×120mm

IES2300SL-16GP2GS-2LV

- Housing: IP30 protection, metal
- Installation: DIN-Rail or wall mounting
- Dimension (W x H x D): 65mm×150mm×120mm
- Weight: 947g

IEC 61000-4-2 (ESD, electrostatic discharge), Level 3

- Air discharge: ±8kV
- Contact discharge: ±6kV

IEC 61000-4-4 (EFT, electrical fast transient pulses), Level 3

- Power supply: ±2kV
- Ethernet port: ±1kV

IES2300SL-4GT2GS-2LV

- IEC 61000-4-5 (Surge), Level 3
- Power supply: common mode ±2kV, differential mode ±1kV
- Ethernet port: common mode ±2kV, differential mode ±1kV

Industrial Standard

IES2300SL-8GT2GS-2LV, IES2300SL-8GP2GS-2LV,
IES2300SL-16GT2GS-2LV, IES2300SL-16GP2GS-2LV

- IEC 61000-4-5 (Surge), Level 4+
- Power supply: common mode ±6kV, differential mode ±2kV
- Ethernet port: common mode ±6kV, differential mode ±2kV

Shock: IEC 60068-2-27

Free fall: IEC 60068-2-32

Vibration: IEC 60068-2-6

Authentication

CE, FCC, RoHS

Warranty

5 years

Ordering Information

Model	Gigabit Copper Port	Gigabit PoE Copper Port	Gigabit SFP Slot	PoE Power	Power Supply
IES2300SL-4GT2GS-2LV-N	4	—	2	—	12~60VDC
IES2300SL-8GT2GS-2LV-N	8	—	2	—	dual power supply redundancy
IES2300SL-16GT2GS-2LV-N	16	—	2	—	
IES2300SL-8GP2GS-2LV-N	—	8	2	240W	44~57VDC
IES2300SL-16GP2GS-2LV-N	—	16	2	240W	dual power supply redundancy