



IES2010 Series

DIN-Rail or Wall Mounting

10-Port 100M/Gigabit Layer 2 Unmanaged Industrial Ethernet Switch

- Support 2 Gigabit fiber ports (SFP slot) and 8 optional 100M Ethernet fiber/copper ports
- Gigabit bandwidth can realize transmitting large amounts of video, voice and data with high performance and high speed
- DC Product supports dual power input, with input voltage of 12/24/48VDC (12~60VDC).
- AC Product supports input voltage of 100~240VAC/DC
- Support -40~75°C wide operating temperature range



Introduction

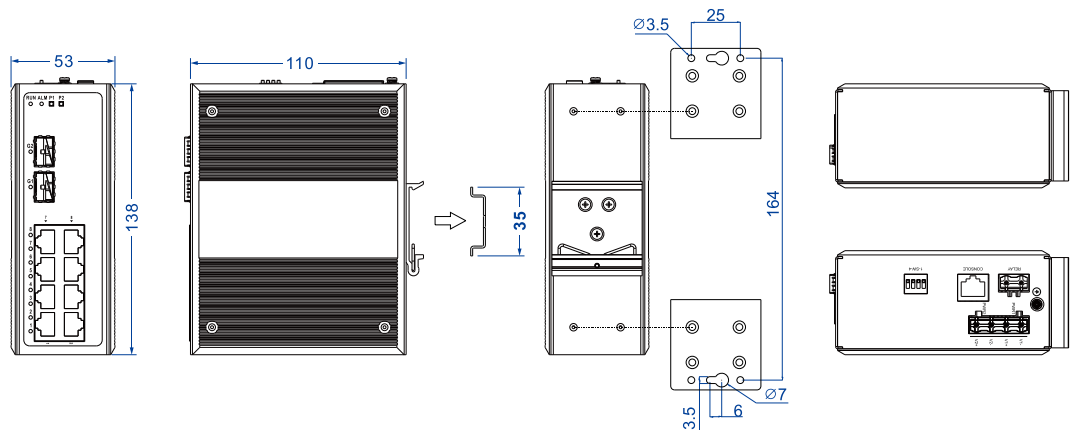
IES2010 series are 10-port 100M/Gigabit layer 2 unmanaged industrial Ethernet switches. This series provides 4 products and supports a variety of interfaces including 100M copper ports, 100M fiber ports, and Gigabit SFP slots. They adopt DIN-Rail mounting or wall mounting to meet the requirements of different application scenes.

DC power supply input consists of two independent power supply circuits, which can ensure device's normal operation when one fails. The design of DIP switch could implement device factory setting recovery. When DC power supply or port has link failure, ALARM indicator will be bright and send out alarm, meanwhile, alarm device connected to the relay will send out alarm for rapid scene troubleshooting. Hardware adopts fanless, low power consumption, wide temperature and voltage design and has passed rigorous industrial standard tests, which can suit for the industrial scene environment with harsh requirements for EMC. It can be widely used in smart grid, rail transit, smart city, safety city, new energy, intelligent manufacturing and other industrial fields.

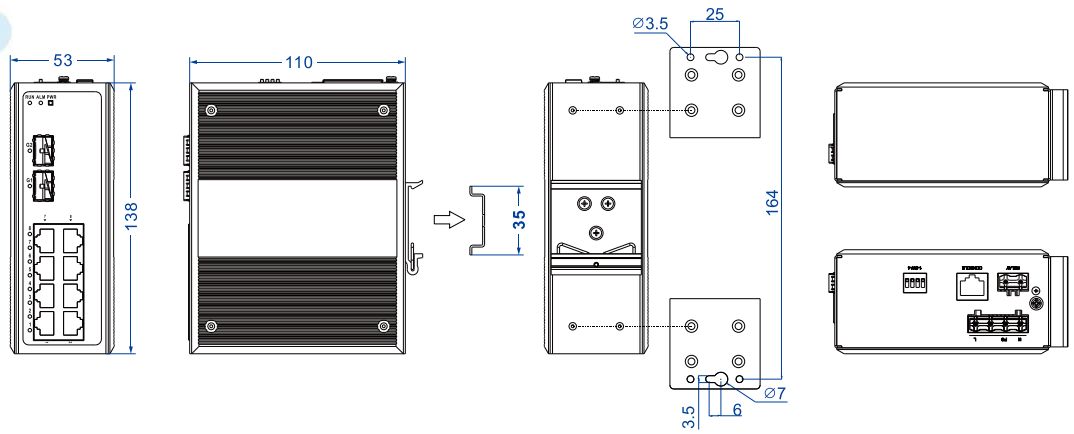
Dimension

Unit: mm

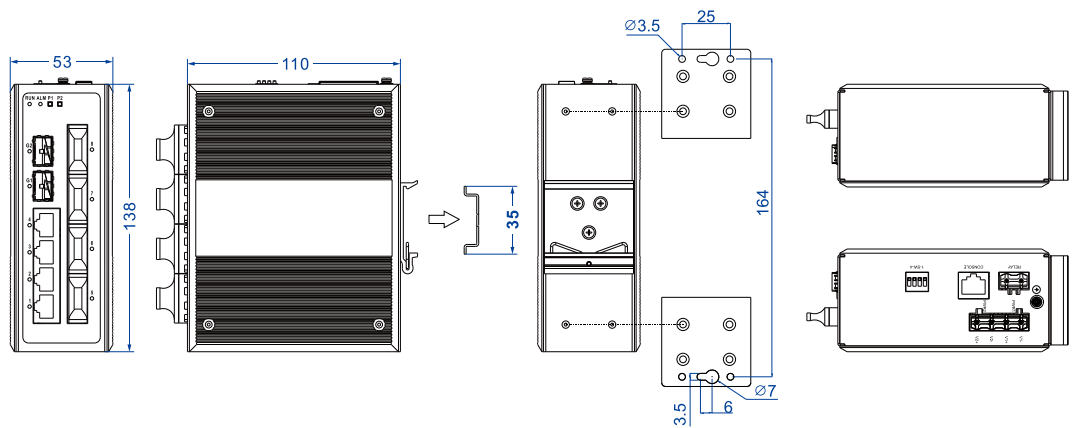
- IES2010-8T2GS-2P48



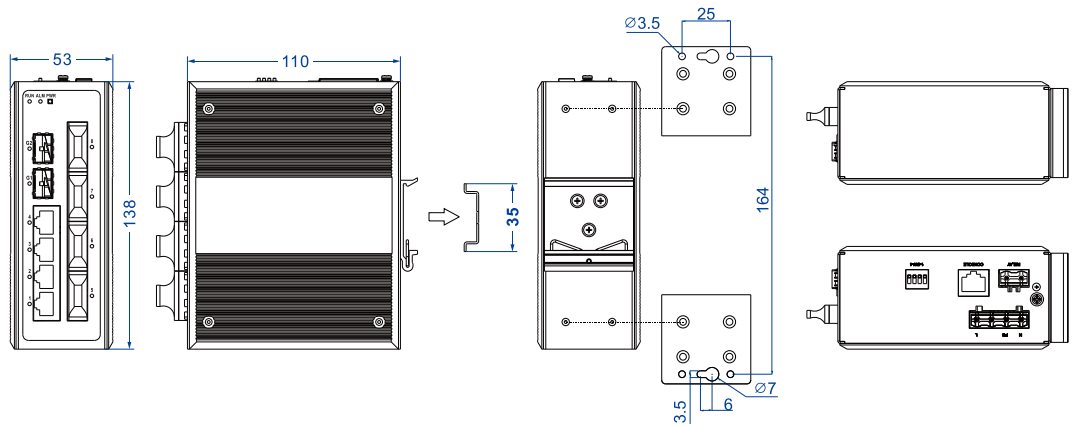
- IES2010-8T2GS-P220



● IES2010-4T4F2GS-2P48



● IES2010-4T4F2GS-P220



Specification

Standard & Protocol	Specification
	IEEE 802.3 for 10Base-T
	IEEE 802.3u for 100Base-TX and 100Base-FX
	IEEE 802.3z for 1000Base-X
	IEEE 802.3ab for 1000Base-T
	IEEE 802.3x for Flow Control

Interface	<p>100M copper port: 10/100Base-T(X), RJ45, Automatic Flow Control, Full/Half Duplex Mode, MDI/ MDI-X Autotuning</p> <p>100M fiber port: 100Base-FX, optional SC/ST/FC</p> <p>SFP slot: 1000Base-X SFP</p> <p>Console port: CLI command line management port (RS-232), RJ45</p> <p>Alarm port: 2-pin 7.62mm pitch terminal blocks, support 1 relay alarm output</p>															
Indicator	Running Indicator, Port Indicator, Power Supply Indicator, Alarm Indicator															
Switch Property	<p>Transmission mode: store and forward</p> <p>MAC address: 4K</p> <p>Cache: 2Mbit</p> <p>Backplane bandwidth: 9.6G</p> <p>Switch time delay: <10μs</p>															
Power Supply	<p>DC power: 12/24/48VDC (12~60VDC), adopt 4-pin 7.62mm pitch terminal blocks, redundant dual power input, built-in overcurrent protection, support non-polarity</p> <p>AC power: 100~240 VAC/DC, with built-in 5.0A overcurrent protection</p>															
Power Consumption	<table border="1"> <thead> <tr> <th data-bbox="660 1052 986 1097">Model</th> <th data-bbox="992 1052 1209 1097">No-load</th> <th data-bbox="1216 1052 1449 1097">Full-load</th> </tr> </thead> <tbody> <tr> <td data-bbox="660 1106 986 1142">IES2010-8T2GS-2P48</td> <td data-bbox="992 1106 1209 1142">3.8W@48VDC</td> <td data-bbox="1216 1106 1449 1142">4.0W@48VDC</td> </tr> <tr> <td data-bbox="660 1151 986 1187">IES2010-8T2GS-P220</td> <td data-bbox="992 1151 1209 1187">4.1W@220VAC</td> <td data-bbox="1216 1151 1449 1187">4.3W@220VAC</td> </tr> <tr> <td data-bbox="660 1196 986 1232">IES2010-4T4F2GS-2P48</td> <td data-bbox="992 1196 1209 1232">7.0W@48VDC</td> <td data-bbox="1216 1196 1449 1232">8.6W@48VDC</td> </tr> <tr> <td data-bbox="660 1240 986 1276">IES2010-4T4F2GS-P220</td> <td data-bbox="992 1240 1209 1276">6.8W@220VAC</td> <td data-bbox="1216 1240 1449 1276">8.0W@220VAC</td> </tr> </tbody> </table>	Model	No-load	Full-load	IES2010-8T2GS-2P48	3.8W@48VDC	4.0W@48VDC	IES2010-8T2GS-P220	4.1W@220VAC	4.3W@220VAC	IES2010-4T4F2GS-2P48	7.0W@48VDC	8.6W@48VDC	IES2010-4T4F2GS-P220	6.8W@220VAC	8.0W@220VAC
Model	No-load	Full-load														
IES2010-8T2GS-2P48	3.8W@48VDC	4.0W@48VDC														
IES2010-8T2GS-P220	4.1W@220VAC	4.3W@220VAC														
IES2010-4T4F2GS-2P48	7.0W@48VDC	8.6W@48VDC														
IES2010-4T4F2GS-P220	6.8W@220VAC	8.0W@220VAC														
Working Environment	<p>Operating temperature: -40~75$^{\circ}$C</p> <p>Storage temperature: -40~85$^{\circ}$C</p>															
Mechanical Structure	<p>Housing: IP40 protection, metal</p> <p>Installation: DIN-Rail or wall mounting</p> <p>Dimension (W x H x D): 53mm\times138mm\times110mm</p> <p>Weight: 641g</p>															
DC Product Industrial Standard	<p>IEC 61000-4-2 (ESD, electronic static discharge), Level 4</p> <ul style="list-style-type: none"> ● Air discharge: \pm 15kV ● Contact discharge: \pm8kV <p>IEC 61000-4-4 (EFT, electrical fast transient pulses), Level 4</p> <ul style="list-style-type: none"> ● Power supply: \pm4kV ● Ethernet interface: \pm2kV <p>IEC 61000-4-5 (Surge), Level 4</p>															

AC Product
Industrial Standard

- Power supply: common mode $\pm 4\text{kV}$, differential mode $\pm 2\text{kV}$
- Ethernet port: common mode $\pm 4\text{kV}$, differential mode $\pm 2\text{kV}$

Shock: IEC 60068-2-27

Free fall: IEC 60068-2-32

Vibration: IEC 60068-2-6

IEC 61000-4-2 (ESD, electrostatic discharge), Level 3

- Air discharge: $\pm 8\text{kV}$
- Contact discharge: $\pm 6\text{kV}$

IEC 61000-4-4 (EFT, electrical fast transient pulses), Level 3

- Power supply: $\pm 2\text{kV}$
- Ethernet port: $\pm 1\text{kV}$

IEC 61000-4-5 (Surge), Level 3

- Power supply: common mode $\pm 2\text{kV}$, differential mode $\pm 1\text{kV}$
- Ethernet port: common mode $\pm 2\text{kV}$, differential mode $\pm 1\text{kV}$

Shock: IEC 60068-2-27

Free fall: IEC 60068-2-31

Vibration: IEC 60068-2-6

Authentication

CE, FCC, RoHS

Warranty

5 years

Ordering Information

Model	Gigabit SFP Slot	100M Copper Port	100M Fiber Port	Power Supply
IES2010-8T2GS-2P48-N	2	8	—	12/24/48VDC
IES2010-4T4F2GS-2P48-N	2	4	4	(12~60VDC) dual power supply
IES2010-8T2GS-P220-N	2	8	—	100~240VAC/DC
IES2010-4T4F2GS-P220-N	2	4	4	