



## IES2005-PN

DIN-Rail Mounting or Wall Mounting  
5-port 100M Unmanaged Industrial Ethernet Switch

- Support 5 100M copper ports
- Support priority transmission of Profinet protocol
- Input voltage: 12~48VDC/24VAC
- Support -40~75°C wide operating temperature range



Industrial Grade Fanless Design

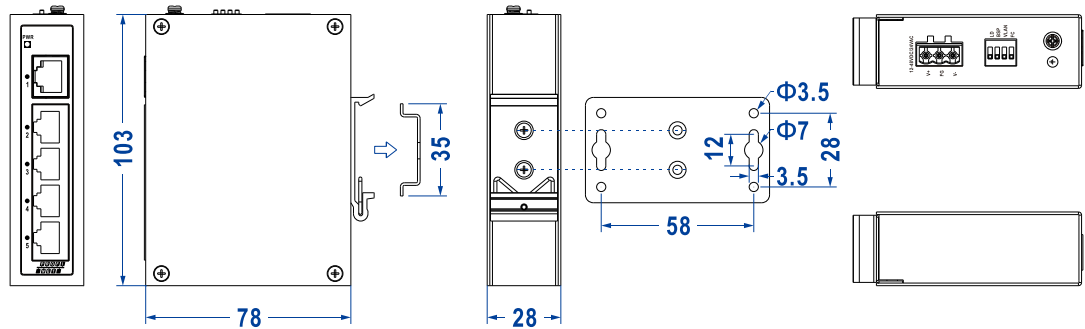
# Introduction

IES2005-PN is 5-port 100M unmanaged industrial Ethernet switch. It provides 100M copper ports and adopts DIN-Rail mounting or wall mounting, which can meet the requirements of different application scenes.

The DIP switch can achieve loop detection, storm suppression, one-key VLAN and flow control. Hardware adopts fanless, low power consumption, and has passed rigorous industrial standard tests, which can suit for the industrial scene environment with harsh requirements for EMC. It can be widely used in railway transportation, smart city, safe city, new energy, intelligent manufacturing, and other industrial fields.

# Dimension

Unit: mm



# Specification

Standard & Protocol	IEEE 802.3 for 10Base-T IEEE 802.3u for 100Base-TX IEEE 802.3x for flow control
Interface	Copper port: 10/100Base-T(X), RJ45, Full/Half Duplex Mode, MDI/MDI-X Autotuning
LED Indicator	Power Supply Indicator, Port Indicator
Switch Property	Transmission mode: store and forward MAC address: 2K Backplane bandwidth: 1G Switch time delay: <math><10\mu\text{s}</math>

<b>Power Requirement</b>	12~48VDC/24VAC, 3-pin 5.08mm pitch terminal blocks Anti-reverse connection protection, built-in over-current 3.0A protection
<b>Power Consumption</b>	No-load: 0.4W@24VDC Full-load: 1.0W@24VDC
<b>Environmental Limit</b>	Operating temperature range: -40~75°C Storage temperature range: -40~85°C Relative humidity: 5% ~ 95%(no condensation)
<b>Physical Characteristic</b>	Housing: IP40 protection, metal Installation: DIN-Rail mounting or wall mounting Dimension (W x H x D): 28mm×103mm×78mm
<b>Industrial Standard</b>	IEC 61000-4-2 (ESD) <ul style="list-style-type: none"> <li>Air discharge: ±8kV</li> <li>Contact discharge: ±6kV</li> </ul> IEC 61000-4-4 (EFT) <ul style="list-style-type: none"> <li>Power supply: ±2kV</li> <li>Ethernet port: ±1kV</li> </ul> IEC 61000-4-5 (Surge) <ul style="list-style-type: none"> <li>Power supply: common mode±2kV, differential mode±1kV</li> <li>Ethernet port: common mode±2kV, differential mode±1kV</li> </ul> Shock: IEC 60068-2-27 Free fall: IEC 60068-2-32 Vibration: IEC 60068-2-6
<b>Certification</b>	CE, FCC, RoHS
<b>Warranty</b>	5 years
<b>MTBF</b>	510465 hrs

# Ordering Information

Available Models	100M Copper Port	Power Supply
IES2005-PN-N	5	12~48VDC/24VAC