

## IES1100 Series

19-inch 1U Rack Mounting

24-Port Layer 2 Unmanaged Industrial Ethernet Switch

- Support 24 100M Ethernet ports (optional fiber/copper ports)
- Support relay alarm output
- Support 18~72VDC power supply input, support dual power supply redundancy and nonpolarity
- Support 85~264VAC/DC power input, support dual power supply redundancy
- Support -40~75°C wide operating temperature range
- Support IP40 protection grade



Industrial Grade



RPS



Fanless Desig



# Introduction

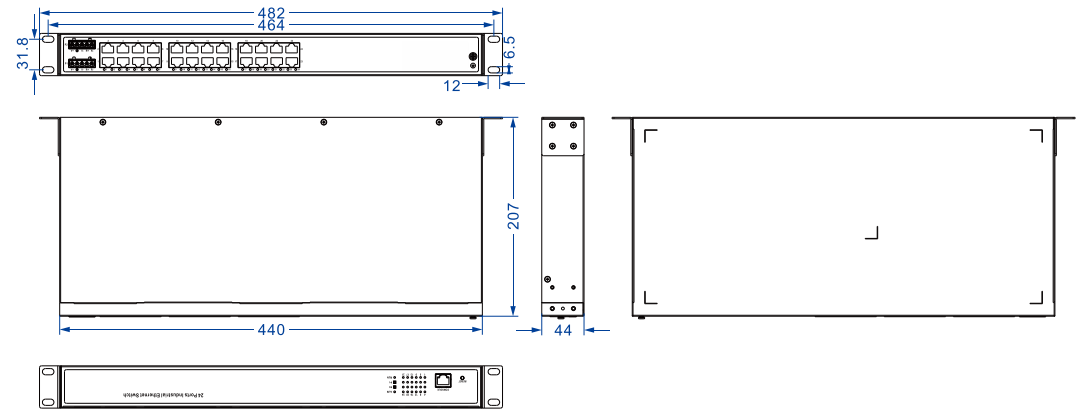
IES1100 series products are 24-port layer 2 unmanaged industrial Ethernet switches. This series of products provide 100M copper port and 100M fiber port. A variety of different fiber/copper port combination schemes can be selected. Support 18~72VDC or 85~264VAC/DC power supply scheme(optional), and adopt rack installation mode, which can meet the requirements of different application sites.

RESET button can reboot the device. The input power supply is two independent power supply circuits which can ensure the normal operation of the device when one power supply fails. When power supply has link failure, ALM indicator will be bright and send out alarm, meanwhile, alarm device connected to the relay will send out alarm for rapid scene troubleshooting. The hardware adopts fanless, low power consumption and wide temperature design, which has passed rigorous industrial standard tests, and suits the industrial scene environment with harsh requirements for EMC. It can be widely used in smart grid, new energy storage, new energy, smart mining, smart motorway, intelligent manufacturing and other industrial fields.

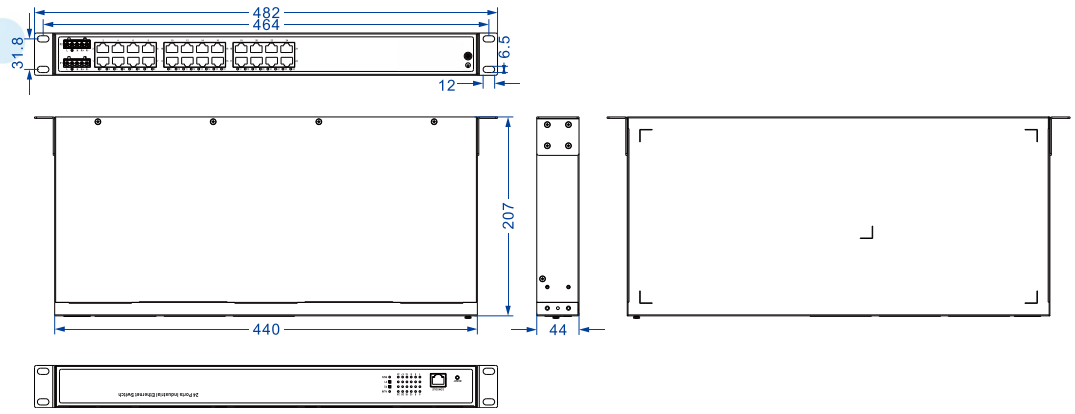
# Dimension

Unit: mm

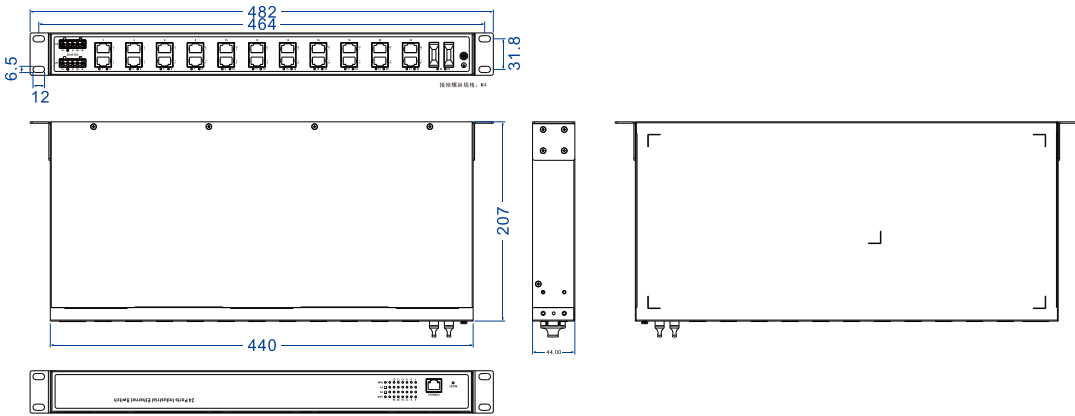
- IES1100-24T-2LV



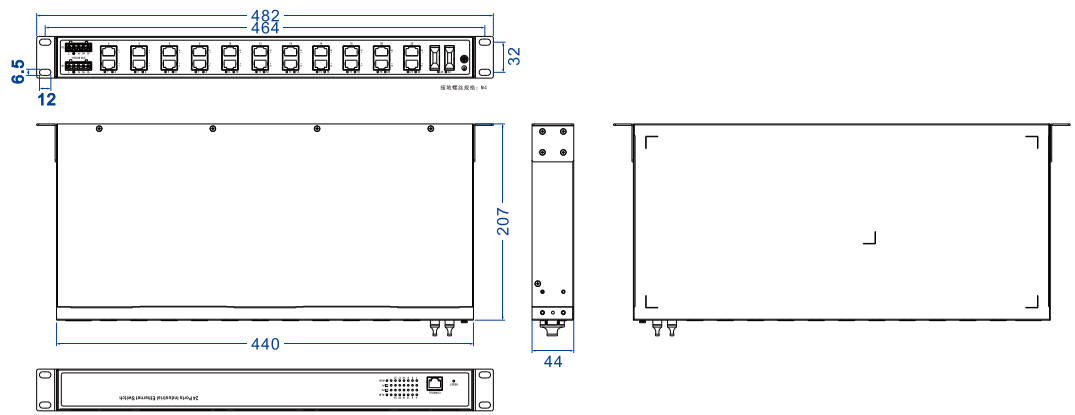
- IES1100-24T-2HV



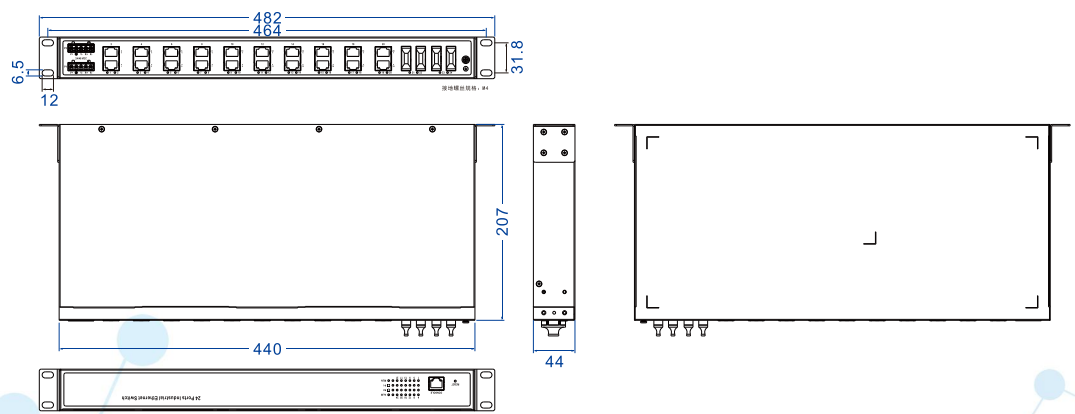
● IES1100-22T2F-2LV



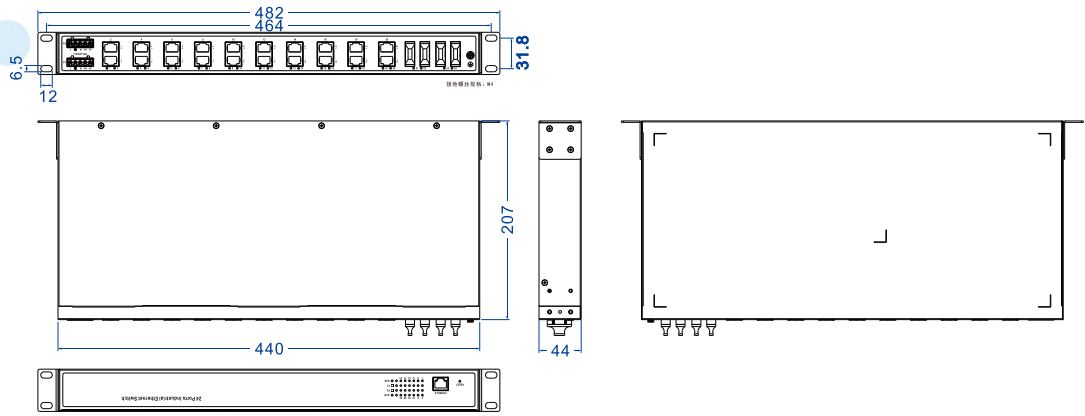
● IES1100-22T2F-2HV



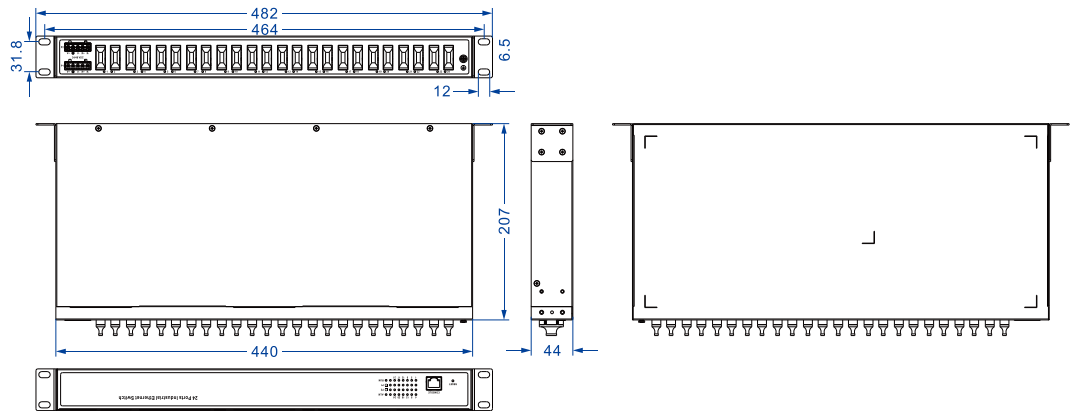
● IES1100-20T4F-2LV



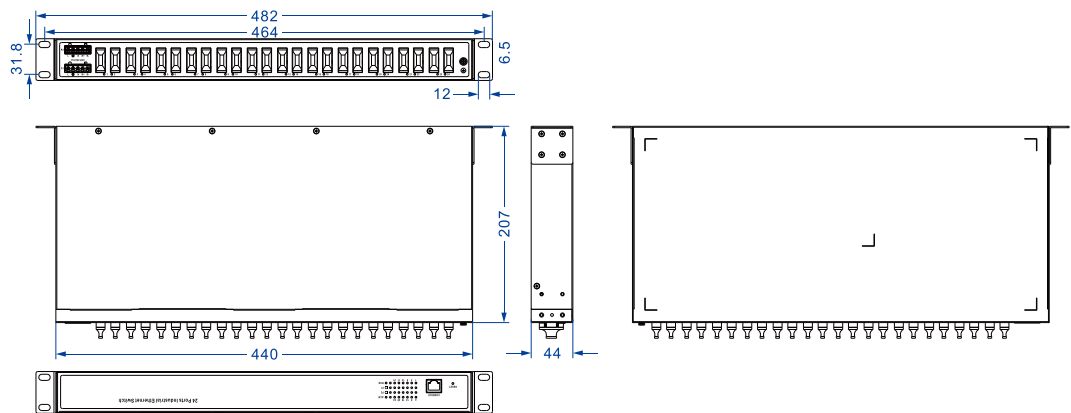
● IES1100-20T4F-2HV



● IES1100-24F-2LV



● IES1100-24F-2HV



## Specification

### Standard & Protocol

IEEE 802.3 for 10Base-T  
IEEE 802.3u for 100Base-TX and 100Base-X

### Interface

100M copper port: 10/100Base-T(X) self-adaption, RJ45, Automatic Flow Control, Full/Half Duplex Mode, MDI/ MDI-X Autotuning

100M fiber port: 100Base-FX, SC connector

Relay: support 2 relay alarm outputs, and adopt 2 5-pin 5.08mm pitch terminal blocks. Relay occupies the right 2 pins, the current carrying capacity is 1A@30VDC or 0.3A@125VAC  
 CONSOLE port: CLI command line management port(RS-232), RJ45

<b>Indicator</b>	Power indicator, running indicator, alarm indicator, interface indicator
------------------	--

<b>Switch Property</b>	Transmission mode: store and forward MAC address: 16K Packet buffer size: 4Mbit Backplane bandwidth: 12.8Gbps Switch delay: <10μs
------------------------	---

<b>Power Supply</b>	IES1100-24T-2LV, IES1100-22T2F-2LV, IES1100-20T4F-2LV, IES1100-24F-2LV <ul style="list-style-type: none"> <li>Input voltage: 24VDC/48VDC (18~72VDC)</li> <li>Power supply quantity: dual power supply redundancy</li> <li>Connection method: 2 5-pin 5.08mm pitch terminal blocks (includes 3-pin power supply on the left side)</li> <li>Connection protection: non-polarity</li> </ul> IES1100-24T-2HV, IES1100-22T2F-2HV, IES1100-20T4F-2HV, IES1100-24F-2HV <ul style="list-style-type: none"> <li>Input voltage: 110VAC/DC, 220VAC/DC (85~264VAC/DC)</li> <li>Power supply quantity: dual power supply redundancy</li> <li>Connection method: 2 5-pin 5.08mm pitch terminal blocks (includes 3-pin power supply on the left side)</li> </ul>
---------------------	--

	Model	No-load	Full-load
<b>Power Consumption</b>	IES1100-24T-2LV	4.5W@48VDC	10.8W@48VDC
	IES1100-24T-2HV	7.3W@220VAC	11.7W@220VAC
	IES1100-22T2F-2LV	5.3W@48VDC	7.1W@48VD
	IES1100-22T2F-2HV	8.4W@220VAC	11.9W@220VAC
	IES1100-20T4F-2LV	6.6W@48VDC	8.6W@48VDC
	IES1100-20T4F-2HV	10.0W@220VAC	12.2W@220VAC
	IES1100-24F-2LV	22.1W@48VDC	22.7W@48VDC
	IES1100-24F-2HV	22.7W@220VAC	24.7W@220VAC

<b>Working Environment</b>	Operating temperature: -40~75℃ Storage temperature: -40~85℃ Relative humidity: 5%~95% (no condensation)
----------------------------	---

<b>Mechanical Structure</b>	Housing: IP40 protection, metal Installation: 19-inch 1U rack mounting
-----------------------------	---

Dimension (W x H x D): 440mm×44mm×207mm (lugs are not included)

Weight:

- IES1100-24T-2LV is 2.31kg
- IES1100-24T-2HV is 2.62kg
- IES1100-24F-2LV is 2.42kg
- IES1100-24F-2HV is 2.659kg

<b>Industrial Standard</b>	<p>IEC 61000-4-2 (ESD, electronic static discharge), Level 4</p> <ul style="list-style-type: none"><li>● Contact discharge: ±8kV</li><li>● Air discharge: ± 15kV</li></ul> <p>IEC 61000-4-4 (EFT, electrical fast transient pulses), Level 4</p> <ul style="list-style-type: none"><li>● Power supply: ±4kV</li><li>● Copper port: ±2kV</li><li>● Relay: ±4kV</li></ul> <p>IEC 61000-4-5 (Surge), Level 4</p> <ul style="list-style-type: none"><li>● Power supply: differential mode±2kV, common mode±4kV</li><li>● Copper port: differential mode±2kV, common mode±4kV</li><li>● Relay: differential mode±2kV, common mode±4kV</li></ul> <p>Shock: IEC 60068-2-27 Free fall: IEC 60068-2-31 Vibration: IEC 60068-2-6</p>
<b>Authentication</b>	CE, FCC, RoHS
<b>Warranty</b>	5 years

## Ordering Information

Model	100M Copper Port	100M Fiber Port	Power Supply
IES1100-24T-2LV-N	24	—	24VDC/48VDC (18~72VDC) Support dual power supply redundancy and non-polarity
IES1100-24T-2HV-N	24	—	110VAC/DC, 220VAC/DC 85~264VAC/DC, dual power supply redundancy
IES1100-22T2F-2LV-N	22	2	24VDC/48VDC (18~72VDC) Support dual power supply redundancy and non-polarity
IES1100-22T2F-2HV-N	22	2	110VAC/DC, 220VAC/DC 85~264VAC/DC, dual power supply redundancy
IES1100-20T4F-2LV-N	20	4	24VDC/48VDC (18~72VDC) Support dual power supply redundancy and non-polarity
IES1100-20T4F-2HV-N	20	4	110VAC/DC, 220VAC/DC 85~264VAC/DC, dual power supply redundancy
IES1100-24F-2LV-N	—	24	24VDC/48VDC (18~72VDC) Support dual power supply redundancy and non-polarity
IES1100-24F-2HV-N	—	24	110VAC/DC, 220VAC/DC 85~264VAC/DC, dual power supply redundancy