



ICS6400TSN Series

DIN-Rail Mounting

12/20-Port Gigabit/10Gigabit Layer 3 TSN Industrial Ethernet Switch

- Support 4 10G SFP+ slots and 8 or 16 Gigabit copper ports
- Support Precision Time Protocol (PTP), provide sub-microsecond synchronization accuracy to meet requirements for high-precision time synchronization
- Support TSN (time sensitive networking) protocol standards such as IEEE802.1AS, IEEE802.1Qbv, IEEE802.1Qbu, IEEE802.1CB, IEEE802.1Qci and IEEE802.1Qcc, which can provide deterministic transmission with low delay and high reliability for data
- Adopt Ring patented technology, support single ring, coupling ring, chain, Dual-homing, automatic recovery time of network failure < 20ms
- Support dual power redundancy, input voltage 12~48VDC
- Support -40~65°C wide operating temperature range



Introduction

ICS6400TSN series products are 12/20-port Gigabit/10Gigabit TSN (time sensitive network) switches, and layer 3 industrial Ethernet switches that integrate the characteristics of TSN. This product provides 10Gigabit SFP+ slots and Gigabit copper ports, which can negotiate port rate and duplex mode with the device at the opposite end via auto-negotiation. It adopts DIN-Rail mounting to meet the requirements of different application scenes.

TSN (Time Sensitive Networking) is a set of protocol standards developed by IEEE802.1 TSN task group. This standard defines the time sensitive mechanism of Ethernet data transmission, and ensures the transmission performance of business traffic in Ethernet by allowing some traffic packets to be forwarded first, clearing routes by using gating scheduling mechanism and bandwidth reservation. It adds certainty and reliability to the standard Ethernet to ensure that the Ethernet can provide stable and consistent service levels for the transmission of critical data. Currently, the supported basic TSN protocols include: IEEE 802.1AS, IEEE 802.1Qbv, IEEE 802.1Qbu, IEEE 802.1CB, IEEE 802.1Qci, IEEE 802.1Qcc (Netconf/Yang), etc.

The network management system supports a variety of network protocols and industry standards, such as IPv6, PTP, TSN, RIP, OSPF, PIM, VRRP, ISIS, NAT, Ring, STP/RSTP/MSTP, MRP, ERPS, VLAN, IGMP/MLD, IGMP/MLD Snooping, DHCP Server/Relay, LLDP, LACP, port mirroring. It possesses complete management functions and supports SNMP centralized management, port statistics, storm suppression, network diagnosis, online upgrade, etc. CLI, HTTP, HTTPS, TELNET, SSH, Netconf and other access methods can be supported. Network management system could bring you great user experience through its friendly interface design and easy and convenient operation.

The DC power supply has two independent power supply circuits which can ensure the normal operation of the device when one power supply fails. The design of DIP switch could implement device factory setting recovery. When power supply or port has link failure, ALM indicator will be bright and send out alarm, meanwhile, alarm device connected to the relay will send out alarm for rapid scene troubleshooting. The hardware adopts fanless, low power consumption and wide temperature design, which has passed rigorous industrial standard tests, and suits the industrial scene environment with harsh requirements for EMC. It can be widely used in railway transportation, smart city, new energy, smart mining, intelligent manufacturing and other industrial fields.

Features and Benefits

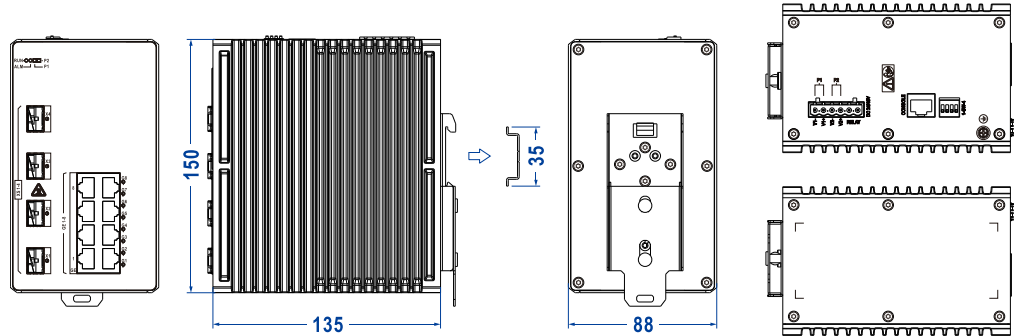
- ◎ TSN supports 802.1 TSN series standards and timely delivery of time-sensitive streams.
 - IEEE 802.1 AS Timing and Synchronization
 - IEEE 802.1 Qbv Time Aware Shaper
 - IEEE 802.1 Qbu Frame Preemption

- IEEE 802.1 CB Frame Replication and Elimination for Reliability
- IEEE 802.1 Qci Per-Stream Filtering and Policing
- IEEE 802.1 Qcc centralized management of network resources
- ⊙ SNMPv1/v2c/v3 is used for network management of various levels
- ⊙ LLDP can achieve automatic topology discovery, which is convenient for visual management
- ⊙ DHCP server and DHCP client could be used for allocating IP address of different strategies
- ⊙ DHCP relay function can realize IP address, gateway, DNS configuration cross network segment
- ⊙ File management is convenient for the device rapid configuration and online upgrading
- ⊙ Log information and log server can record user operation, system failure, system security and other information locally and remotely
- ⊙ User privilege classification configuration can set user privilege level
- ⊙ SSH configuration and HTTPS configuration can improve device's management security and guarantee data access security
- ⊙ Ring, MRP, STP/RSTP/MSTP can achieve network redundancy, preventing network storm
- ⊙ EPRS function can realize link backup and improve the reliability of network
- ⊙ Relay alarm is convenient for troubleshooting of construction site
- ⊙ Storm suppression can restrain broadcast, unknown multicast and unicast
- ⊙ VLAN is used for simplifying network planning
- ⊙ Port Trunking and LACP can increase network bandwidth and enhance the reliability of network connection to achieve optimum bandwidth utilization
- ⊙ IGMP/MLD Snooping can be used for filtering multicast traffic to save the network bandwidth
- ⊙ IGMP/MLD can be used to manage and maintain multicast members
- ⊙ ARP could be used for MAC address resolution
- ⊙ VRRP, RIP/RIPng, ISIS, OSPF/OSPFv3 and BGP can realize dynamic routing configuration
- ⊙ PIM-DM and PIM-SM can be used to create and maintain multicast routing table entries and realize multicast routing forwarding
- ⊙ NAT maps private IP address to the legal IP address of external network, which can slow the consumption of IP address space
- ⊙ Loop detection could efficiently eliminate the influence caused by port loopback by detecting the existence of loopback
- ⊙ IPDT can track IP device status and realize interaction with other applications
- ⊙ Smart Link link backup, providing reliable and efficient backup and fast switching mechanism
- ⊙ Network diagnosis and troubleshooting could be conducted via Ping, Traceroute, cable diagnosis, SFP DDMI
- ⊙ Port mirroring can conduct data analysis and monitoring, which is convenient for online debugging

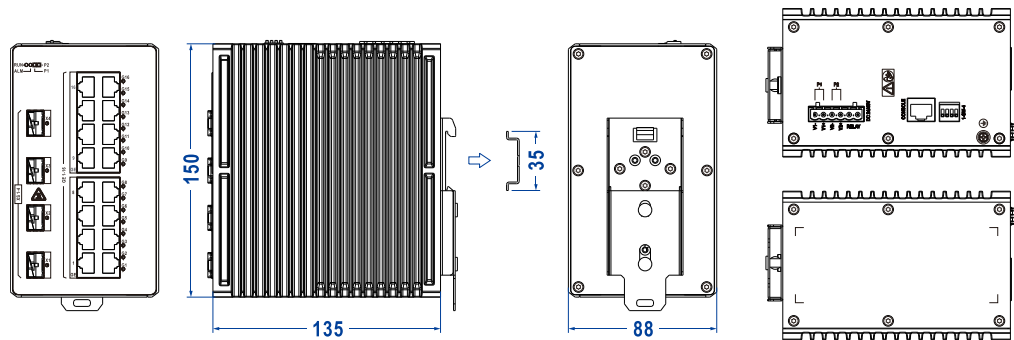
Dimension

Unit: mm

- ICS6400TSN-8GT4XS-2LV



- ICS6400TSN-16GT4XS-2LV



Specification

Standard & Protocol

- IEEE 802.3 for 10Base-T
- IEEE 802.3u for 100Base-TX
- IEEE 802.3ab for 1000Base-T
- IEEE 802.3z for 1000Base-X
- IEEE 802.3ae for 10GBase-X
- IEEE 802.1AS for TSN
- IEEE 802.1Qbv
- IEEE 802.1Qbu
- IEEE 802.1CB
- IEEE 802.1Qci
- IEEE 802.1Qcc
- IEEE 802.3x for Flow Control
- IEEE 802.1D for Spanning Tree Protocol
- IEEE 802.1w for Rapid Spanning Tree Protocol
- IEEE 802.1s for Multiple Spanning Tree Protocol
- ITU-T G.8032 for ERPS
- IEEE 802.1Q for VLAN
- IEEE 802.1AB for LLDP
- IEEE 802.3ad for LACP

TSN	PTP precise clock synchronization, frame preemption, TAS, Netconf+YANG configuration
Management	SNMP v1/v2c/v3 centralized managed equipment, Port Mirroring, LLDP, DHCP Server, DHCP Relay, port speed limit, port isolation, port statistics, file management, online upgrade, log information, Syslog server
Security	User privilege classification, SSH/HTTPS protocol authorization, link flap protection, port loop detection, IPDT, IPv6DT, Smart-Link, NAT, port alarm and power alarm.
Switch Function	802.1Q VLAN, MAC, static aggregation, LACP, ARP, storm suppression
Unicast / Multicast	IGMP-Snooping, MLD-Snooping, IGMP, MLD, PIM-SM, PIM-DM, IPv6-PIM-SM, IPv6-PIM-DM
Redundancy Technology	Ring, MRP, STP/RSTP/MSTP, ERPS
Routing Technique	RIP, RIPng, OSPF, OSPFv3, ISIS, VRRP, IPv6 VRRP, BGP
Troubleshooting	Ping, Traceroute, Network Cable Diagnosis, DDMI
Time Management	NTP Client, Time Zone Configuration, PTP
Interface	Gigabit copper port: 10/100/1000Base-T(X) self-adaption or forced mode, RJ45, Automatic Flow Control, Full/Half Duplex Mode self-adaption, MDI/MDI-X Autotuning 10Gigabit SFP+: 1G/2.5G/10G Base-X self-adaption or forced mode, SFP+ slot Console port: CLI command line management port (RS-232), RJ45 Alarm port: 6-pin 5.08mm pitch terminal blocks (relay occupies 2 pins), support 1 relay alarm output, the current load capacity is 1A@30VDC or 0.3A@125VAC
Indicator	Running Indicator, Alarm Indicator, Power Supply Indicator, Interface Indicator
Switch property	Transmission mode: store and forward MAC address: 32K Cache: 32Mbit Backplane bandwidth: 160G

	Switch delay: <math><10\mu\text{s}</math>
Power Supply	12~48VDC dual power supply redundancy, 6-pin 5.08mm pitch terminal blocks. The power supply occupies 4 pins and supports anti-reverse connection
Power Consumption	ICS6400TSN-8GT4XS-2LV <ul style="list-style-type: none"> No-load: 18.2W@48VDC Full-load: 24W@48VDC
Working Environment	Operating temperature: -40~65°C Storage temperature: -40~85°C Relative humidity: 5%~95% (no condensation)
Mechanical Structure	Housing: IP40 protection, metal Installation: DIN-Rail mounting Dimension (W x H x D): 88mm×150mm×135mm
Industrial Standard	IEC 61000-4-2 (ESD, electrostatic discharge), Level 2 <ul style="list-style-type: none"> Contact discharge: ±4kV Air discharge: ±4kV IEC 61000-4-4 (EFT, electrical fast transient pulses), Level 3 <ul style="list-style-type: none"> Power supply: ±2kV Copper port: ±1kV IEC 61000-4-5 (Surge), Level 2 <ul style="list-style-type: none"> Power supply: differential mode±0.5kV, common mode±1kV Copper port: common mode ±1kV Shock: IEC 60068-2-27 Free fall: IEC 60068-2-32 Vibration: IEC 60068-2-6
MTBF	320000 hours
Authentication	CE, FCC, RoHS
Warranty	5 years

Ordering Information

Model	Gigabit Copper Port	10Gigabit SFP+ Slot	Power Supply
ICS6400TSN-8GT4XS-2LV-N	8	4	12~48VDC dual power supply redundancy
ICS6400TSN-16GT4XS-2LV-N	16	4	