

100M SFP Optical Module

Plug-in Mounting

Industrial Single/Multi-Mode Single/Double Fiber 100M SFP Optical Module

- Transmission speed 155Mb/s
- Support LC optical fiber connector and hot-plug
- Support Digital Diagnosis Monitoring (DDM) function, conform to SFF-8472 standard, which can monitor parameters such as module voltage, temperature, bias current and optical power
- Work voltage 3.3V
- Support -40~85°C wide operating temperature range



Industrial Grade



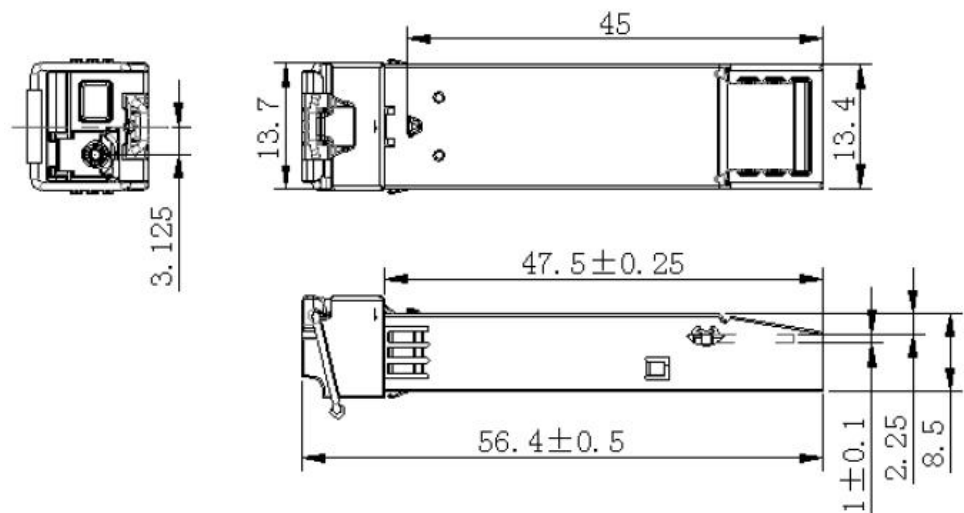
Introduction

This series of products is industrial 100M SFP optical module, which implements photoelectric conversion in optical network and is used with 100M SFP slot of Ethernet communication device. Optical module supports DDM (digital diagnosis and monitoring) function, and can monitor module voltage, temperature, bias current or optical power and other parameters in network management devices with DDM function for network diagnosis. This series of products can be selected according to different optical fiber types, transmission distances and transmission wavelengths, and can support hot plug and meet the needs of different application sites.

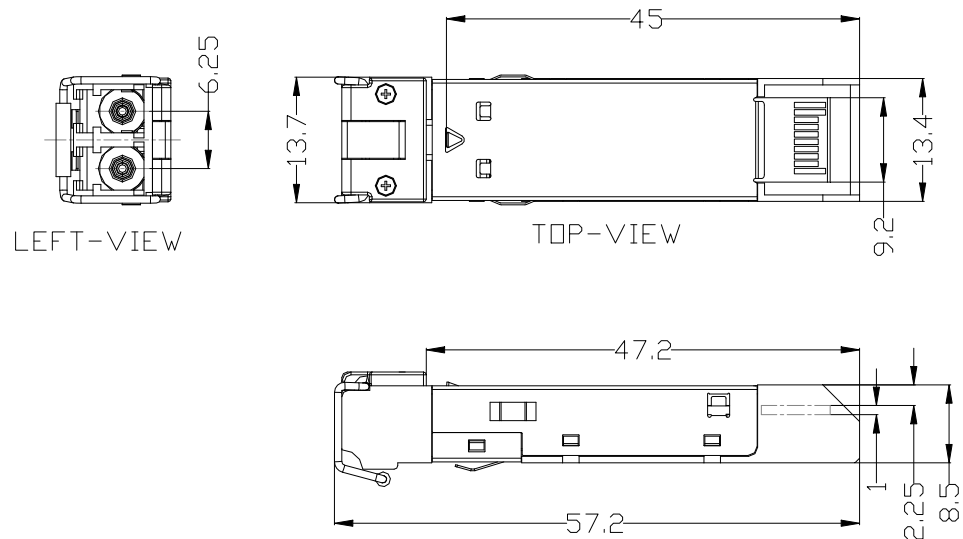
Dimension

Unit: mm

- Single-mode single-fiber



- Single/multi-mode double-fiber



Note:

- This is the dimension of the shell, excluding the handle and skirt parts.
- The unmarked dimension tolerance is $\pm 0.2\text{mm}$.

Specification

Interface	<p>Interface type: LC</p> <p>Transmission speed: 155Mb/s</p> <p>Transmission distance: multi-mode double-fiber 1310nm, 2 km; Single-mode double-fiber 1310nm, 1550nm, 20/40/80 km; Single-mode single-fiber 1310/1550nm, 20/40/60/80km</p> <p>Support DDM (Digital Diagnosis Monitoring) function</p>
Working Environment	<p>Operating temperature: $-40\sim 85^{\circ}\text{C}$</p> <p>Storage temperature: $-40\sim 85^{\circ}\text{C}$</p> <p>Relative humidity: 5%~95% (no condensation)</p>
Physical Characteristic	<p>Shell: metal shell</p> <p>Installation: plug-in mounting</p>
Authentication	CE, FDA, C-TICK, RoHS
Warranty	1 year

Ordering Information

Available Models	Optical Fiber Type	Transmission Speed	Interface Type	Core Wavelength (nm)	Transmission Distance (km)	Work Temperature (°C)	DDM	Transmission Optical Power (dBm)	Max Receiving Sensitivity (dBm)
SW2525DI-242-N	MM	155M	LC	1310	2	-40~85	√	-15~-8	-31
SW3525DI-442-N	SM	155M	LC	1310	20	-40~85	√	-15~-8	-34
SW3525DI-542-N	SM	155M	LC	1310	40	-40~85	√	-5~0	-34
SWB3525DI-442-N	SS	155M	LC	1310T/1550R	20	-40~85	√	-15~-8	-32
SWB4525DI-442-N	SS	155M	LC	1550T/1310R	20	-40~85	√	-15~-8	-32

Note:

- Type of optical fiber: MM is multi-mode double-fiber, SM is single-mode double-fiber and SS is single-mode single-fiber.
- Generally, optical modules should be used in pairs, and the type, speed, wavelength and distance of optical fibers should match. The transmission and receiving wavelengths of single-mode single-fiber are different, for example, 1310T/1550R and 1550T/1310R need to be used in pairs.