

## KYAC323 Series

- ▶ MOTION CONTROLLER
- ▶ POWERFUL PERFORMANCE

### FEATURES

- Powerful performance with an Intel CORE I3/I5/I7 processor
- With an optimized BIOS kernel to meet real-time control requirements
- EtherCAT supports up to 128 slave device
- System task jitter within 25us
- Complies with IEC61131-3 standard and PLCopen specifications
- Supports industrial protocols such as EtherCAT, Ethernet/IP, OPC UA, and ModbusTCP
- Integrated with two serial ports, switch flexibly between RS232 and RS485
- Dual power redundant design to ensure stable power supply
- Supports a wide operating temperature -20 ~ 60°C

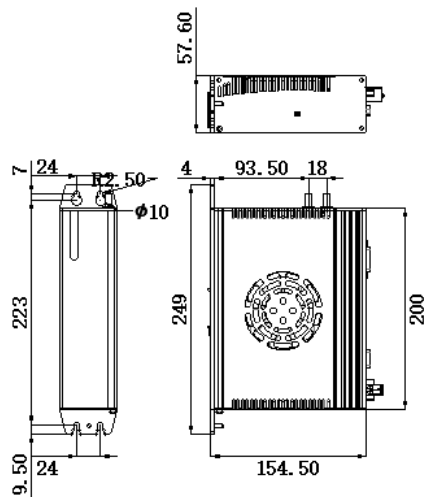


### SPECIFICATIONS

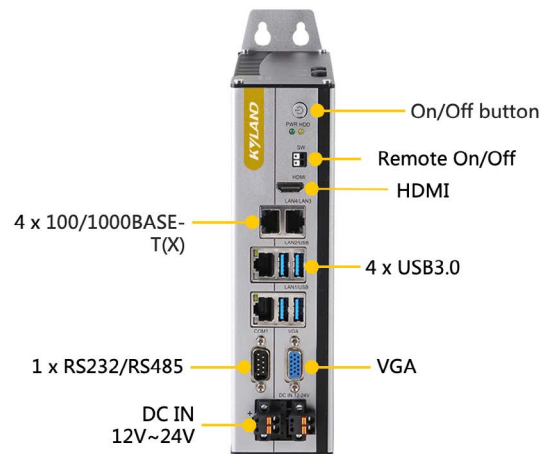
Specifications		KYAC323-33MB	KYAC323-341B	KYAC323-341B	KYAC323-341B	KYAC323-73MB	KYAC323-741B	KYAC323-752B
Hardware Specification	CPU	I3-8100		I5-6400		I7-8700		
	TDP	Max 65W						
	BIOS	AMI UEFI 64Mbit						
	Memory	8GB	16GB	8GB	16GB	8GB	16GB	32GB
	Storage	128GB	256GB	128GB	256GB	128GB	256GB	512GB
	USB	4 x USB3.0 Onboard built-in 1 x USB2.0, support hardware encryption						
	COM	2 x DB9, RS232/RS485 configurable RS485 support automatic flow control, RS232 with ESD protection (air-gap discharge: ±8KV, contact discharge: ±6KV)						
	Network Interface	4 x 100/1000BASE-T(X), Intel I210						
	VGA	Max resolution 1920 x 1080						
	HDMI	Max resolution 3840 x 2160						
	Expansion Slot	2 x miniPCIe, with SIM Tray						
	Watchdog	1~255 Levels programmable						

<b>Software Specification</b>	<b>RTE</b>	Codesys RTE 3.5.18
	<b>Operating System</b>	Windows 10
<b>Power Supply</b>	<b>Input Voltage</b>	DC12~24V ±10%, Overcurrent, overvoltage and reverse connection protection
	<b>Consumption</b>	Max 120W
<b>Mechanical Structure</b>	<b>Structure</b>	Supports wall-mounted or DIN-Rail installation
	<b>Dimensions</b>	(L)200mm x (W)154.5mm x (H)57.6mm
	<b>Weight</b>	1.9Kg
<b>Environment</b>	<b>Operating Temperature</b>	-20°C ~ 60°C
	<b>Storage Temperature</b>	-40°C ~ 80°C
	<b>Humidity</b>	5~95% (No condensation)
	<b>Vibration</b>	5~500Hz, 1.5Grms, IEC60068-2-64
	<b>Impact</b>	20G(duration 11ms, half sine wave), IEC60068-2-27
	<b>EMC</b>	CE/FCC Class A

## » DIMENSIONS



## » INTERFACE



## » ORDERING INFORMATION

P/N	Description
<b>KYAC323-33MBW0SM</b>	I3-8100/8G/128G SSD/WIN10/Softmotion
<b>KYAC323-33MBW0SMTW</b>	I3-8100/8G/128G SSD/WIN10/Softmotion/Target &Web Visu
<b>KYAC323-53MAW0SM</b>	I5-6400/8G/128G SSD/WIN10/Softmotion
<b>KYAC323-541AW0SMTW</b>	I5-6400/16G/256G SSD/WIN10/Softmotion/Target &Web Visu
<b>KYAC323-73MBW0SM</b>	I7-8700/8G/128G SSD/WIN10/Softmotion
<b>KYAC323-741BW0SM</b>	I7-8700/16G/256G SSD/WIN10/Softmotion
<b>KYAC323-752BW0SM</b>	I7-8700//32G/512G SSD/WIN10/Softmotion
<b>KYAC323-73MBW0SMTW</b>	I7-8700//8G/128G SSD/WIN10/Softmotion/Target &Web Visu
<b>KYAC323-741BW0SMTW</b>	I7-8700//16G/256G SSD/WIN10/Softmotion/Target &Web Visu
<b>KYAC323-752BW0SMTW</b>	I7-8700//32G/512G SSD/WIN10/Softmotion/Target &Web Visu