

KYWT Power Moudule series

Overview



KYWT-POAS bus-powered module realizes the isolation of bus-powered devices and non-bus-powered devices from a variety of data fusion communication solutions to achieve long-distance broadband real-time transmission. It can be widely used in intelligent transportation, intelligent city, intelligent factory, rail transit, electric power, metallurgy, chemical industry, petroleum, light industry and other industries. The product is safe, reliable and easy to install.

The module adopts metallized box structure, card gauge installation, good shielding effect, pluggable terminals are convenient for users to use wiring. Module power indicator, real-time display module power-up status.

Key Features

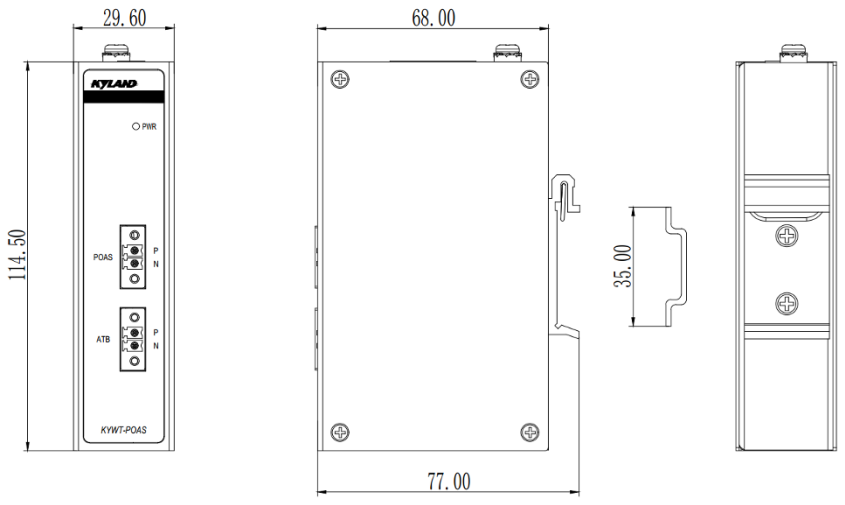
- Support AUTOBUS standard: IEC 61158 Type 28
- Support AUTOBUS key features:
 - Multi-drop connection
 - Ring and BUS topology
 - Up to 100Mbps bandwidth
 - Up to 500m transmission distance
- Support multiple industrial level connectivity requirements
- Easy to install and configuration
 - AUTOBUS Plug & Play (AP&P) by default
 - Working mode is selected by hardware switch
 - Software configuration tool
- Support wire cable
 - SPE twist-pair cable
 - Other 100Ω cable (needs to be verified)
- Support POAS: Support Power over AUTOBUS

Product Specifications

Power Input	
Input Voltage	20-57VDC
Input Current	Max: 1A
Consumption	Max: 3W@1A
Voltage Drop	TYP:3.2V
Power Input Method	External power supply/bus power supply
Channel Features	
Interface Form	SPE/M8/Phoenix Terminal
Interface Type	1 ATB/POAS Bus Port
Bandwidth	100Mbps/500 meters (CAT5)
Physical Features	
Installation	DIN-RAIL
Dimension(W*H*D)	68mm*29.6mm*114.5mm
Protection Class	IEC60529, IP20
Weight	600g
Environment	
Operating Temperature	-40°C~75°C
Humidity	5%~95%, Non-condensing
Storage Temperature	-40°C~80°C
Free Fall	Drop height of 1 meter with transportation packaging, 0.3 meter with product packaging, 5 drops.
Vibration	Acceleration: 0.5 g, vibration frequency: 10 Hz≤f≤60 Hz, one octave per minute (±10%)
Shock	5g, 30ms/repeat, half-sine, 3 consecutive shocks were applied in each of the three mutually perpendicular directions, i.e., a total of 18 shocks.
Fan	Fanless

Mechanical Drawing

Unit: mm



Ordering Information

Part Number	Product Description
KYWT-A1TB-A1TB-L2-L2-POAS	AUTBUS Power Module, one AUSBUS port, one AUSBUS POAS port, max power output 80W@48V DC
KYWT-A1M8-A1M8-L2-L2-POAS	AUTBUS Power Module, max power output 80W@48V DC



E sales@kyland.com
A Room 304, 3/F, Building 1, Shixing
 East Street 18#, Shijingshan
 District, 100041 China.
T +86 10 68805639