

7000 Series

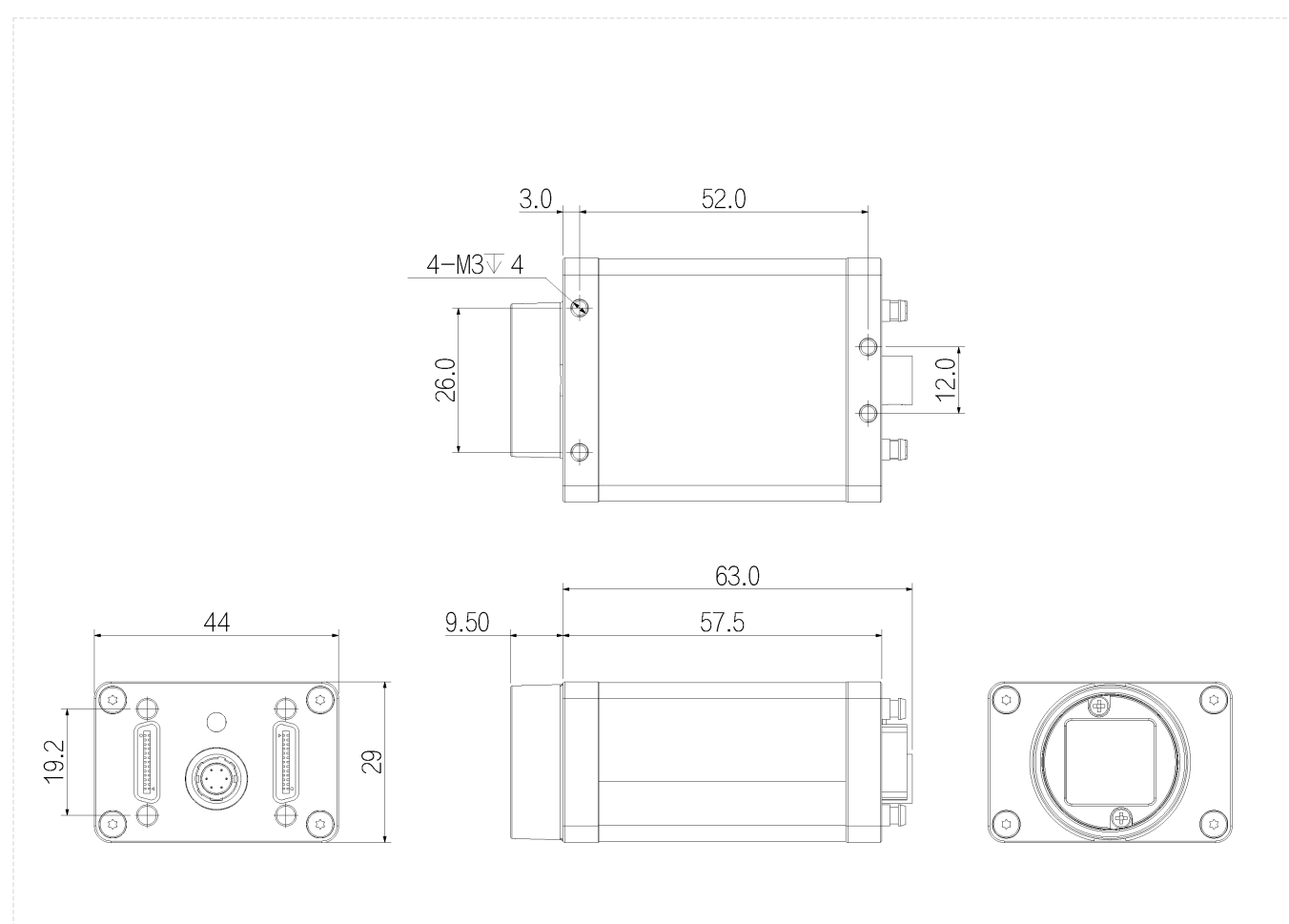
A7500CK200E



Features

- CameraLink , support base/medium/Full/Deca mode;
- Support Software Trigger/Hardware Trigger/Free Run Mode;
- Support multiple image data formats output/ROI/Mirror, etc. ;
- Compatible with CameraLink V2.0 protocol and GenICam standard;
- Compatible with GenCP V1.1 protocol;
- Support PoCL power supply;
- Comform to CE, FCC, RoHS;

Dimensions (mm)



Specification

	Model	A7500CK200E
Basic	Sensor	IMX250
	Image Sensor	2/3" CMOS
	Shutter	Global
	Resolution	2448 × 2048
	Frame Rate	150 fps
	Bit Depth	10
	Mono/Color	Color
	Pixel Size	3.45 μm × 3.45 μm
Image	Pixel	5MP
	S/N Ratio	>38dB
	Dynamic Range	>70dB
	Image Format	BayerRG8/BayerGB8
	ROI	Support
	X Flip	Support
	Y Flip	Support
	Gain	1~32
	White Balance	automatic white balance
	Exposure Time	16μS~1S
	Trigger Mode	Software Trigger/Hardware Trigger/Free Run Mode
Performance	User Setting	Support two sets of user-defined configurations
	Pixel Clock	34M/51M/68M/85M
Port	Port	CameraLink
	GPIO Interface	1x 6 pin Hirose: 1x Opto-isolated input, 1x Opto-isolated output, 1 configurable input and output
	Lens Mount	C-mount
Power	Power Supply	PoCL/DC 9V~24V power supply via Hirose interface
	Power Consumption	≈3W
Structure	Product Dimensions	29mm×44mm×58mm(not including lens mount and rear case connector)
	Net Weight	100 g
Environment	Storage Temperature	-30°C~+80°C
	Operating Temperature	-30°C~+50°C

Spectrogram

