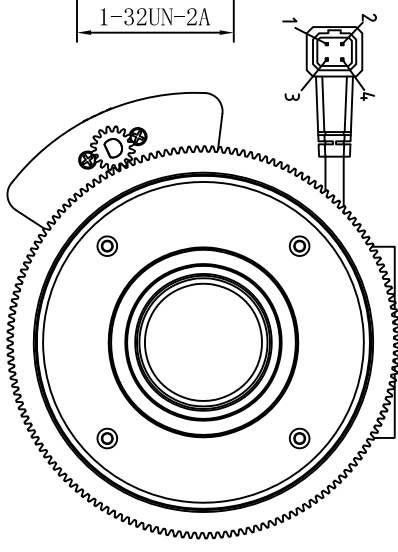
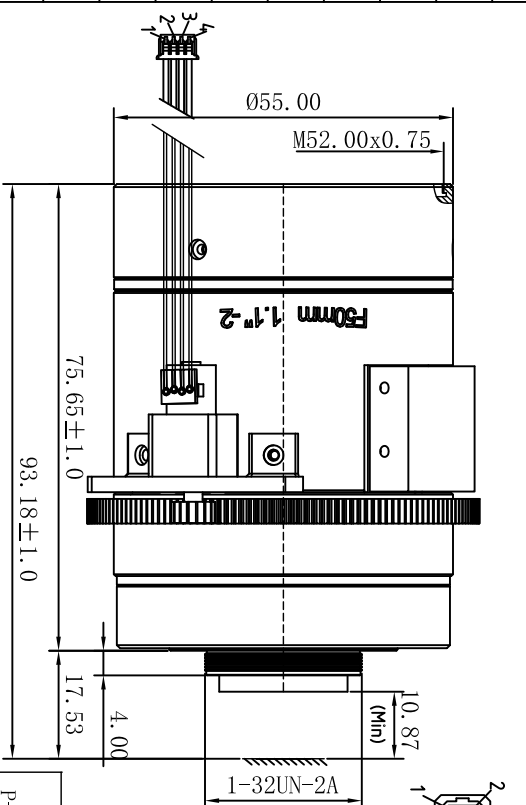


NO.	ITEM	SPECIFICATION	NOTE		
1	像面尺寸 (IMAGE FORMAT)	1.1"			
2	像圆大小 (IMAGE CIRCLE)	ø17.7			
3	焦距 (OPTICAL EFL)	50mm	±5%		
4	光圈大小 (APERTURE)	1.4	±5%		
5	分辨率 (RESOLUTION)	12MP			
6	系统总长 (SYSTEM TTL)	93.18±1.0mm (in dir)			
7	视场角 (FIELD OF VIEW)	对角(Φ)	垂直(V)		
		1.1"	20.97°	17.8°	10.87°
		1"	18.5°	14.75°	11.04°
8	主光线入射角 (GRA)	11.46°			
9	相对照度 (ILLUMINATION)	>50%			
10	畸变大小 (DISTORTION)	-2.23%			
11	光学后焦 (OPTICAL BFL)	13.17mm (With 1.5 CG)	最小(Min)		
12	机械后焦 (MECHANICAL BFL)	10.87mm (in air)	最小(Min)		
13	外观尺寸 (DIMENSION)	ø55.00x75.65mm			
14	接口类型 (MOUNT)	C (slip)			
15	日夜共焦 (R CORRETION)	YES			
16	镜片组成 (ELEMENT)	/			
17	工作波长 (WAVELENGTH)	440-650&850			
18	最近物距 (M.O.D)	2.5M			
19	工作温度 (TEMPERATURE)	-30°C ~ +70°C			
20	变焦操作 (ZOOM OPERATION)	FIXED			
21	光圈操作 (IRIS OPERATION)	P-IRIS			
22	聚焦操作 (FOCUS OPERATION)	MOTORIZED			

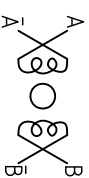


P-IRIS

PIN	COLOR	COIL	STEP	1	2	3	4
1	BROWN	B+	A+	H	H	L	L
2	RED	A+	A-	L	L	H	H
3	YELLOW	A-	B+	L	H	H	L
4	ORANGE	B-	B-	H	L	L	H

PIN	COLOR	COIL	STEP	1	2	3	4
1	RED	A	A	+	+	-	-
2	YELLOW	A-	A	-	-	+	+
3	BROWN	B	B	-	+	+	-
4	ORANGE	B-	B	+	-	-	+

P=125 4pin



ELECTRICAL CHARACTERISTIC:

- 1: RATED VOLTAGE: 5V DC
- 2: COIL RESISTANCE: 30Ω ±7%
- 3: NO.OF PHASES: 2PHASES
- 4: STEP ANGLE: 18°/STEP
- 5: EXCITATIONMETHOD: 2-2PHASES EXCITATION
- 6: DRIVE MODE: BI-POLAR DRIVE
- 7: MAX.STARTING PULSE RATE: 1200PPS Min./5VDC
- 8: MAX.SLEWING PULSE RATE: 1500PPS Min./5VDC
- 9: IN SULATION CLASS: CLASS E FOR COILS
- 10: SPEED REDUCING RATION: 1: 156
- 11: INSULATION RESISTANCE: 5MΩ Min./100 VDC
- 12: INSULATION STRENGTH: 3mA max.100VAC/1 SECOND
- 13: OPERATING TEMPERATURE RANGE: -40~+80°C
- 14: OUTPUT TORQUE: 300gf·cm(min) @5000pps 5VDC

TYPE	NAME	MODEL	STAGE	UNITS	SCALE	REV.	WEIGHT
	BCT5011CPZIR-12MP-2			mm	1:1	A	

福州创恒光电有限公司
CRYLIGHT PHOTONICS INC.

TOLERANCE	ANGLE	REMARK	DESCRIPTION
0 ~ 50° ±2.0°		DW	
50 ~ 200° ±5.0°		PN	
LENGTH&DIAMETER(mm)			
0 ~ 50 ±0.2			
50 ~ 200 ±0.3			

CHECKED	DESIGN	DRAWN	SIGN	DATA
APPROVED				