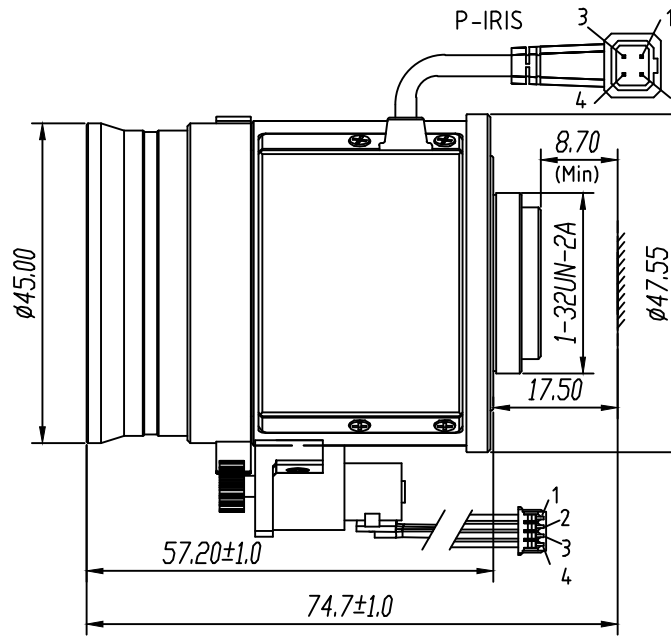
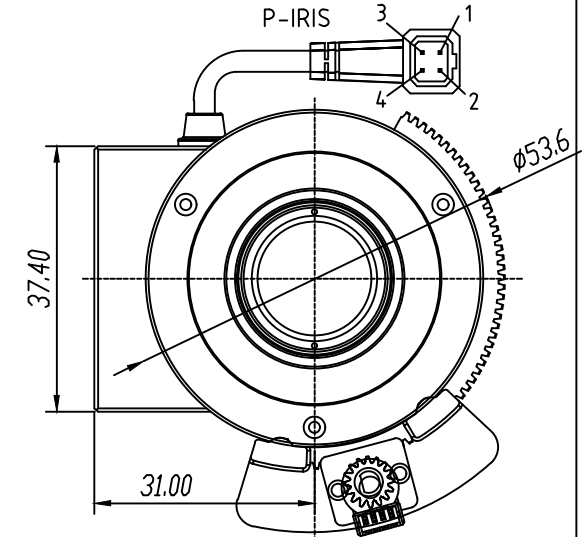


NO.	ITEM	SPECIFITION	NOTE		
1	IMAGE FORMAT	1.1"			
2	IMAGE CIRCLE	∅20.0			
3	OPTICAL EFL	35mm			
4	APERTURE	1.8			
5	RESOLUTION	15MP			
6	SYSTEM TTL	74.70±1.0mm			
7	FIELD OF VIEW	D	H	V	
		1.1"	28.5°	22.6°	17.0°
		2/3"	18.0°	14.3°	10.8°
8	CHIEF RAY ANGLE	< 16.0°			
9	ILLUMINATION	> 52%			
10	DISTORTION	< -1.8%			
11	OPTICAL BFL	/			
12	MECHANICAL BFL	8.70	(Min)		
13	DIMENSION	∅45.00x57.20			
14	MOUNT	C			
15	IR CORRECTION	YES			
16	ELEMENT	/			
17	WAVELENGTH	440-650&850			
18	M.O.D	1.0M			
19	TEMPERATURE	-20°C ~ +70°C			
20	ZOOM OPERATION	FIXED			
21	IRIS OPERATION	P-IRIS			
22	FOCUS OPERATION	MOTORIZED			



PIN	COLOR	COIL	STEP PHASE				
			1	2	3	4	
1	BROWN	B+	A+	H	H	L	L
2	RED	A+	A-	L	L	H	H
3	YELLOW	A-	B+	L	H	H	L
4	ORANGE	B-	B-	H	L	L	H

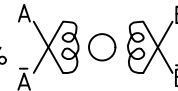


PIN	COLOR	COIL	STEP PHASE				
			1	2	3	4	
1	YELLOW	A-	A	+	+	-	-
2	RED	A	Ā	-	-	+	+
3	BROWN	B	B	-	+	+	-
4	ORANGE	B-	B̄	+	-	-	+

P=2.0 4pin

ELECTRICAL CHARACTERISTIC:

- 1: RATED VOLTAGE: 5V DC
- 2: COIL RESISTANCE: 30Ω ±7%
- 3: NO.OF PHASES: 2PHASES
- 4: STEP ANGLE: 18°/STEP
- 5: EXCITATIONMETHOD: 2-2PHASES EXCITATION
- 6: DRIVE MODE: BI-POLAR DRIVE
- 7: MAX.STARTING PULSE RATE: 1200PPS Min./5VDC
- 8: MAX.SLEWING PULSE RATE: 2500PPS Min./5VDC
- 9: IN SULATION CLASS: CLASS E FOR COILS
- 10: SPEED REDUCING RATION: 1: 156
- 11: INSULATION RESISTANCE: 5MΩ Min./100 VDC
- 12: INSULATION STRENGTH: 3mA max.100VAC/1 SECOND
- 13: OPERATING TEMPERATURE RANGCE: -40~+80°C
- 14: OUTPUT TORQUE: 300gf-cm(min) @500pps 5VDC



TYPE		UNTIS	mm
NAME	BCT3511CPZIR-15MP	SCALE	1:1
MODEL		REV.	A
STAGE		WEIGHT	

REMARK			TOLERANCE	
			ANGLE	
			0 ~ 50°	±2.0°
DRAWN			50 ~ 200°	±5.0°
DESIGN			LENGTH&DIAMETER(mm)	
CHECKED			0 ~ 50	±0.2
APPROVED			50 ~ 200	±0.3