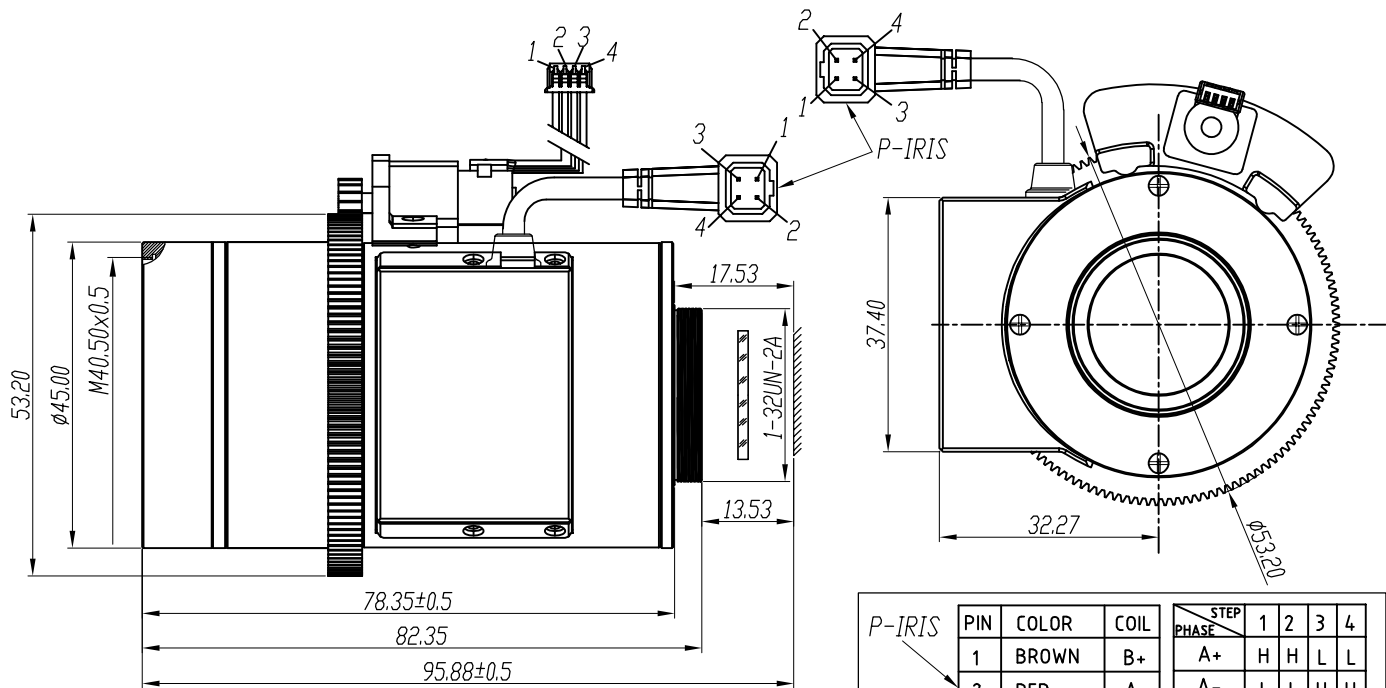


NO.	ITEM	SPECIFICATION	NOTE	
1	像面尺寸 (IMAGE FORMAT)	1.1"		
2	像圆大小 (IMAGE CIRCLE)	φ17.6		
3	焦距 (OPTICAL EFL)	25mm	±5%	
4	光圈大小 (APERTURE)	1.4	±5%	
5	分辨率 (RESOLUTION)	12MP		
6	系统总长 (SYSTEM TTL)	95.88±0.5		
7	视场角 (FIELD OF VIEW)	对角(D)	水平(H)	垂直(V)
		1.1"	40.8°	32.4°
	1"	37.0°	29.4°	22.2°
8	主光线入射角 (CRA)	<6.3°		
9	相对照度 (ILLUMINATION)	>50%		
10	畸变大小 (DISTORTION)	<-5%		
11	光学后焦 (OPTICAL BFL)	19.2mm	最小(min)	
12	机械后焦 (MECHANICAL BFL)	17.53mm	最小(min)	
13	尺寸 (DIMENSION)	φ45.0x78.35mm		
14	接口 (MOUNT)	C	Slip	
15	日夜共焦 (IR CORRECTION)	YES		
16	滤镜尺寸 (FILTER SIZE)	M40.5X0.5		
17	工作波长 (WAVELENGTH)	440-650&850		
18	最近物距 (M.O.D)	1.0M		
19	工作温度 (TEMPERATURE)	-20°C~+70°C		
20	变焦操作 (ZOOM OPERATION)	FIXED		
21	光圈操作 (IRIS OPERATION)	P-IRIS		
22	聚焦操作 (FOCUS OPERATION)	MOTORIZED		



PIN	COLOR	COIL	STEP PHASE	1	2	3	4
1	YELLOW	A-	A	+	+	-	-
2	RED	A	\bar{A}	-	-	+	+
3	BROWN	B	B	-	+	+	-
4	ORANGE	B-	\bar{B}	+	-	-	+

P=1.25 4pin

ELECTRICAL CHARACTERISTIC:
1: RATED VOLTAGE: 5V DC
2: COIL RESISTANCE: 30Ω ±7%
3: NO. OF PHASES: 2PHASES
4: STEP ANGLE: 18°/STEP
5: EXCITATION METHOD: 2-2PHASES EXCITATION
6: DRIVE MODE: BI-POLAR DRIVE
7: MAX. STARTING PULSE RATE: 1200PPS Min./5VDC
8: MAX. SLEWING PULSE RATE: 1500PPS Min./5VDC
9: IN SULATION CLASS: CLASS E FOR COILS
10: SPEED REDUCING RATION: 1: 156
11: INSULATION RESISTANCE: 5MΩ Min./100 VDC
12: INSULATION STRENGTH: 3mA max.100VAC/1 SECOND
13: OPERATING TEMPERATURE RANGE: -40~+80°C
14: OUTPUT TORQUE: 300gf-cm (min) @500pps 5VDC

TYPE	UNTIS	mm
NAME	BCT2511CPZIR-12MP	SCALE 1:1
MODEL		REV. A
STAGE		WEIGHT
福州创恒光电有限公司 CRYLIGHT PHOTONICS INC.		

TOLERANCE	REMARK	DESCRIPTION
ANGLE		OP25-JT0049
0 ~ 50°	±2.0°	6016090016
50 ~ 200°	±5.0°	
LENGTH&DIAMETER(mm)		
0 ~ 50	±0.2	
50 ~ 200	±0.3	
	DRAWN	
	DESIGN	
	CHECKED	
	APPROVED	