

## Get Started with the ioThinX IIoT Starter Kit



### Easily Connects to an IT/OT Cloud

Set up MQTT, RESTful API, SNMP, and Modbus connections in a few simple steps.

### Plug-and-play for Rapid Deployment

No wiring required. Everything is connected and ready to go.

### Modular Design for Greater Versatility

The ioThinX 4510's modular design, with the base and I/O boards housed in separate units, gives users the flexibility they need to set up efficient operations. The various I/O modules can be used for different purposes, including debugging, maintenance, and conducting demos.



Product Page

### Learn More

Visit [www.moxa.com](http://www.moxa.com) and search "ioThinX IIoT Starter Kit" or scan the QR code for more information.

## Your Trusted Partner in Automation

Moxa is a leading provider of edge connectivity, industrial computing, and network infrastructure solutions for enabling connectivity for the Industrial Internet of Things (IIoT). With over 30 years of industry experience, Moxa has connected more than 57 million devices worldwide and has a distribution and service network that reaches customers in more than 70 countries. Moxa delivers lasting business value by empowering industries with reliable networks and sincere service. Information about Moxa's solutions is available at [www.moxa.com](http://www.moxa.com).

#### Moxa Americas USA

Toll Free: 1-888-MOXA-USA  
Tel: +1-714-528-6777  
Fax: +1-714-528-6778  
[usa@moxa.com](mailto:usa@moxa.com)

#### Brazil

Tel: +55-11-95261-6545  
[brazil@moxa.com](mailto:brazil@moxa.com)

#### Moxa Europe Germany

Tel: +49-89-37003-99-0  
Fax: +49-89-37003-99-99  
[europe@moxa.com](mailto:europe@moxa.com)

#### France

Tel: +33-1-30-85-41-80  
Fax: +33-1-30-47-35-91  
[france@moxa.com](mailto:france@moxa.com)

#### UK

Tel: +44-1844-355-601  
Fax: +44-1844-353-553  
[uk@moxa.com](mailto:uk@moxa.com)

#### Moxa Asia-Pacific and Taiwan Asia/Japan/Taiwan

Tel: +886-2-8919-1230  
Fax: +886-2-8919-1231  
[asia@moxa.com](mailto:asia@moxa.com)  
[japan@moxa.com](mailto:japan@moxa.com)  
[taiwan@moxa.com](mailto:taiwan@moxa.com)

#### India

Tel: +91-80-4172-9088  
Fax: +91-80-4132-1045  
[india@moxa.com](mailto:india@moxa.com)

#### Russia

Tel: +7-495-287-0929  
Fax: +7-495-269-0929  
[russia@moxa.com](mailto:russia@moxa.com)

#### Korea

Tel: +82-2-6268-4048  
Fax: +82-2-6268-4044  
[korea@moxa.com](mailto:korea@moxa.com)

#### Moxa China Shanghai

Tel: +86-21-5258-9955  
Fax: +86-21-5258-5505  
[china@moxa.com](mailto:china@moxa.com)

#### Beijing

Tel: +86-10-5976-6123/24/25/26  
Fax: +86-10-5976-6122  
[china@moxa.com](mailto:china@moxa.com)

#### Shenzhen

Tel: +86-755-8368-4084/94  
Fax: +86-755-8368-4148  
[china@moxa.com](mailto:china@moxa.com)

© 2019 Moxa Inc. All rights reserved.  
The MOXA logo is a registered trademark of Moxa Inc. All other logos appearing in this document are the intellectual property of the respective company, product, or organization associated with the logo.

P/N: 1900001901800

# MOXA®

## Deliver Your I/O Data to the Cloud, Quickly and Securely

ioThinX 4500 Series IIoT controllers and I/Os

# MOXA®



# ioThinX

Tailor-made for IIoT applications, the compact, intelligent, and secure ioThinX 4500 Series IIoT controllers and I/Os provide I/O-to-cloud connectivity and IT/OT protocol convergence.

Cloud Connectivity

Cybersecurity

Tool-free Installation and Removal



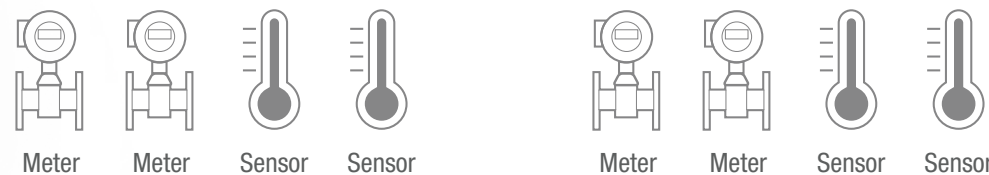
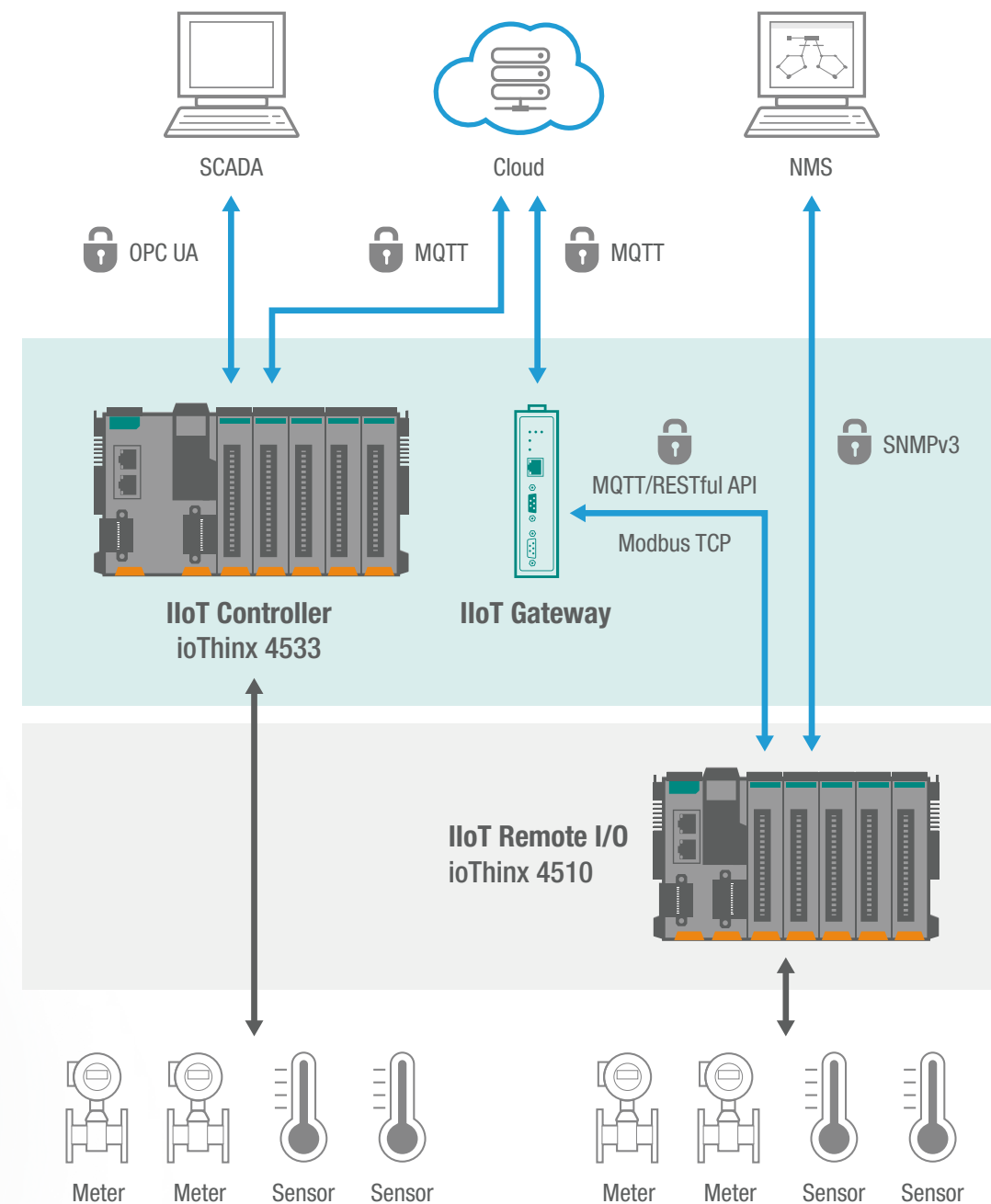
“The excellent innovation of the ioThinX 4500 Series is based on its simple yet smart installation principle, which saves a lot of time and effort.”

Red Dot Award Jury, Product Design 2019



reddot award 2019 winner industrial design

Moxa's ioThinX 4500 Series products are IIoT-ready modular controllers and I/Os featuring programming capability, cloud connectivity, high computing power, and a system-wide cybersecurity design. The ioThinX Series is specifically designed for Industrial IoT applications to deploy your I/O data to the cloud effortlessly and securely. The ioThinX 4500 Series consists of the ioThinX 4533 IIoT controller and the ioThinX 4510 IIoT-ready remote I/O. Refer to the suggested application structure below:



## ioThinX 4533 IIoT Controller



CPU	NXP i.MX7D 1GHz
Power Inputs	System Power: 12 to 48 VDC; Field Power: 12/24 VDC
Expansion Modules	64
Operating System	Linux kernel 4.4 (CIP, PREEMPT_RT), Debian 9
Memory	512 MB DDR3
Storage (pre-installed)	8 GB eMMC
Programming Language	C/C++, Python
Operating Temperature	Standard Models: -20 to 60°C (-4 to 140°F); Wide Temp. Models: -40 to 75°C (-40 to 167°F)

### Cloud Connectivity

Save field-site data to the cloud with the built-in Azure/AWS/Alibaba SDK library. In addition, streamline your operations with OPC UA to SCADA capability.

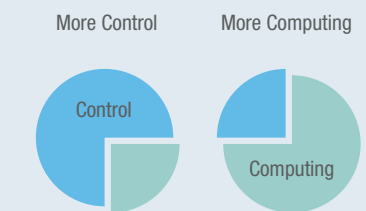
### Programming Language

Supports a variety of programming languages, including:

- Python
- C/C++
- Node-Red

### Precision Control

Achieve control and computing balance in one device by using a real-time OS to prioritize application settings.



### System-wide Cybersecurity Design

Systematic Security Protection to help users mitigate cybersecurity threats.

Access Control

Encryption    Data Security    Availability

Audit Log

Operating System

- Moxa Industrial Linux
- Secure Boot

Hardware Security

- Trusted Platform Module (TPM), optional

## ioThinX 4510 IIoT Remote I/O



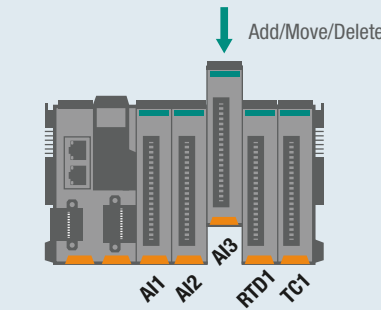
Power Inputs	System Power: 12 to 48 VDC; Field Power: 12/24 VDC
Expansion Modules	32
IT Protocols	SNMPv1/v2c/v3, RESTful API, MQTT
OT Protocols	Modbus/TCP Server (slave)
Gateway Function	Modbus/RTU Master to Modbus/TCP, SNMP, RESTful API, MQTT
Operating Temperature	Standard Models: -20 to 60°C (-4 to 140°F); Wide Temp. Models: -40 to 75°C (-40 to 167°F)

### Cloud Connectivity

The ioThinX 4510 Series supports MQTT protocols that can be connected to the cloud with a reasonable number of mouse clicks. If you are using a web HMI or NMS for data supervision on a private cloud, you can make the connection using a RESTful API or SNMP, respectively.

### Auto Reconfiguration

You only need to make a few simple changes, with no reconfiguration effort required. Simply fine tune the modules you want to change, and keep the others as is.



### Cybersecurity

The ioThinX 4510 Series is compliant with IEC 62443 level 1.

Secure Communication Protocol

https, RESTful API over https, SNMPv3, MQTT over TLS

Transmission Encryption

Unauthorized

Authorized

- Confidentiality**
- Authentication: Account management, Login Policy, Session Management
- Integrity**
- Access Control: Role-based access control, IP-based whitelist
- Availability**
- Interface protection: Network port protection, service disabled by default

## 45MR Modules for the ioThinX 4500 Series



	45MR-1600(-T)	45MR-1601(-T)	45MR-2600(-T)	45MR-2601(-T)	45MR-2606(-T)	45MR-2404(-T)	45MR-3800(-T)	45MR-3810(-T)	45MR-4420(-T)	45MR-6600(-T)	45MR-6810(-T)
Digital Inputs	16 (PNP)	16 (NPN)	-	-	8 (PNP)	-	-	-	-	-	-
Digital Outputs	-	-	16 (sink)	16 (source)	8 (source)	-	-	-	-	-	-
Relays	-	-	-	-	4 (Form A)	-	-	-	-	-	-
Analog Inputs	-	-	-	-	-	8 (0/4-20 mA)	8 (-10/0-10 V)	-	-	-	-
Analog Outputs	-	-	-	-	-	-	-	4 (0/4-20 mA, 0-10 V)	-	-	-
RTDs	-	-	-	-	-	-	-	-	6	-	-
Thermocouples	-	-	-	-	-	-	-	-	-	-	8
Operating Temp.	Standard Models: -20 to 60°C (-4 to 140°F); Wide Temp. Models (-T): -40 to 75°C (-40 to 167°F)										

Please visit our website for the most up-to-date product information.