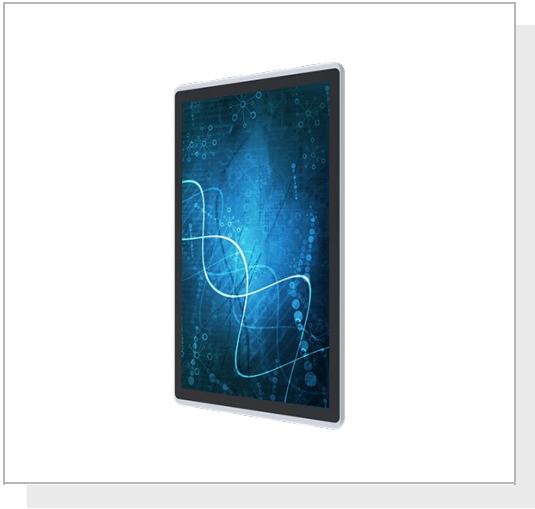


# W15L100-PTA3-ME

## 15.6" Multi-Touch Color Surgical Display



### KEY FEATURES

- 15.6" 1920 x 1080 Multi-Touch Color Surgical Display
- Projected Capacitive Multi-touch
- VGA input and HDMI input
- Stylish and elegant design
- Housing with antimicrobial properties
- Front IP65 Multi-Touch Color Surgical Display



### SPECIFICATIONS

Display			
<b>Touch / Glass</b>	Projected Capacitive Multi Touch Screen	<b>Resolution</b>	1920x1080
<b>Size</b>	15.6 inches	<b>Contrast Ratio</b>	800:1
<b>Panel Brightness</b>	400.0 nits	<b>Display Color</b>	262K Colors
<b>View Angles</b>	85,85,85,85	<b>Active Area</b>	344.16x193.59 mm
Environment			
<b>Operating Humidity</b>	10% to 90% RH, non-condensing	<b>Operating Temperature</b>	0°C~40°C
<b>Storage Temperature</b>	-20°C~60°C		
Certification			
<b>Certification</b>	IEC 60601-1:2005 + A1:2012 (Ed. 3.1) IEC 60601-1-6:2010 + A1:2013 (Ed. 3.1) IEC 62366:2007 + A1:2014 (Ed. 1.1) ANSI/AAMI ES60601-1:2005/A1:2012 and C1:2009/(R)2012 and A2:2010/(R)2012 CAN/CSA-C22.2 No.60601-1:14 EN 60601-1-2:2015, IEC 60601-1-2:2014 (Ed. 4.0) EN 55032/EN 55024, FCC part 15B EN 62368-1:2014 RoHS-2, REACH, WEEE compliant		
IO Ports			
<b>USB Port</b>	1 x USB for Touch Screen	<b>Video</b>	1 x VGA 1 x HDMI (Optional)
<b>Audio</b>	1 x Audio Line In 2 x Speaker (Optional)		
Mechanical			
<b>Dimension</b>	388 x 233 x 40 mm	<b>Weight</b>	1.6 kg
<b>Mounting</b>	VESA Mount	<b>Enclosure</b>	Plastic
<b>Cooling System</b>	Fanless Design		
Accessory			
<b>Accessory</b>	1 x VGA cable 1 x HDMI cable 100~240V AC to DC Adapter Power Cord		

Manual  
VESA screws(Varies by product)

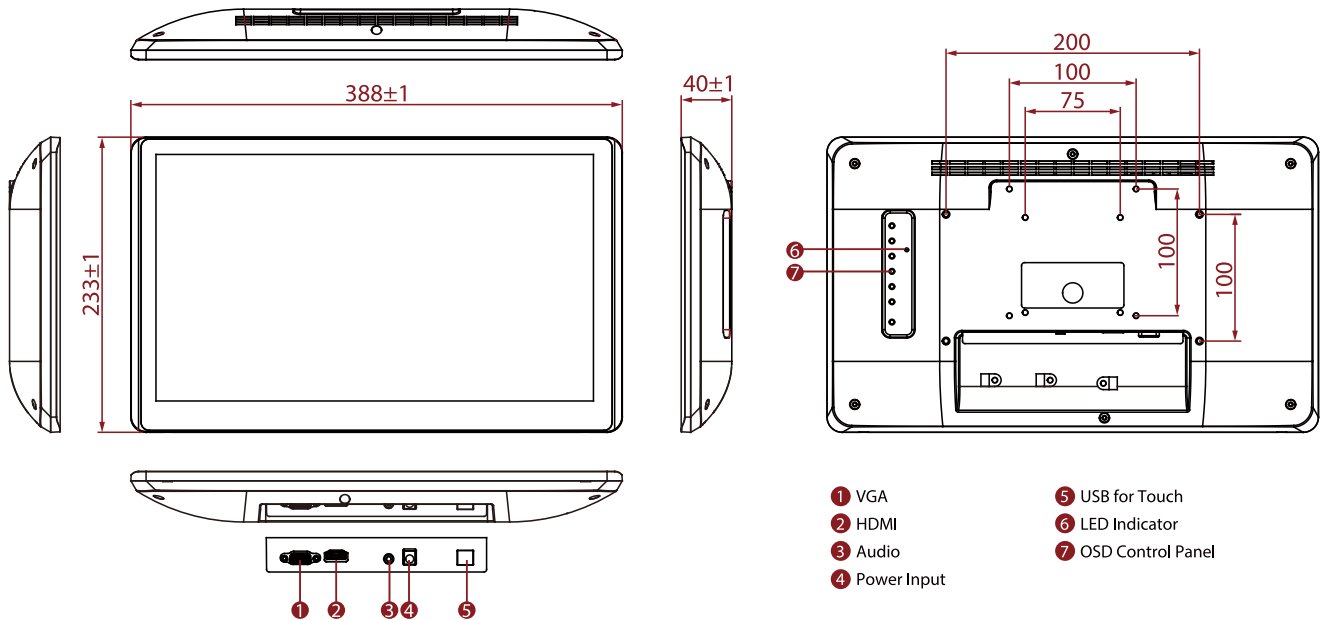
## Power

**Power Rating** 12V DC in  
24V DC in (optional)

## Control

**Button** 7 Keys: Enter, Exit, Right, Left, Up, Down, Power

## DIMENSIONS UNIT:MM



## NOTE

1. This is a simplified drawing and some components are not marked in detail.
2. Please contact our sales representative if you need further product information.
3. All specifications are subject to change without prior notice.
4. The product shown in this datasheet is a standard model. For diagrams that contain customized or optional I/O, please contact the Winmate Sales Team for more information.