



eBOX-3560

Industrial Computer



Intel® Atom™ ApolloLake
low-power processor
Din-rail fanless mini PC



eBOX-3560

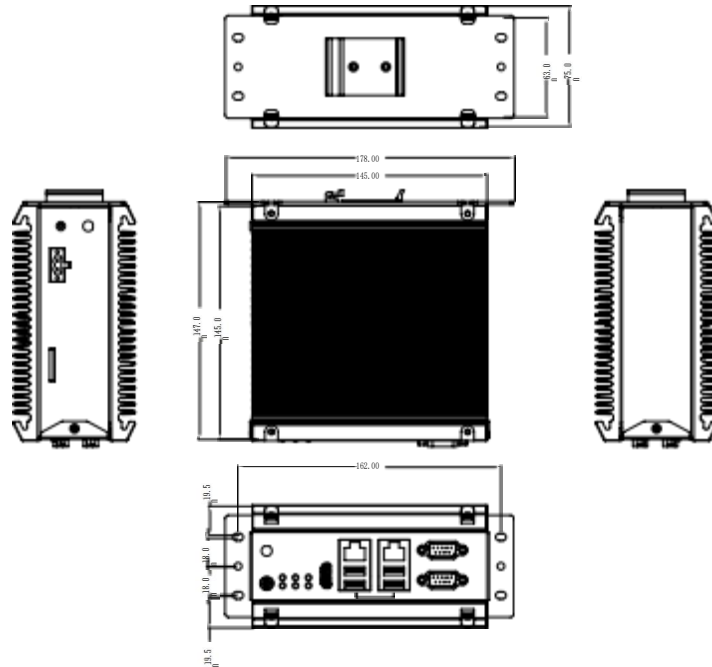


Specifications:

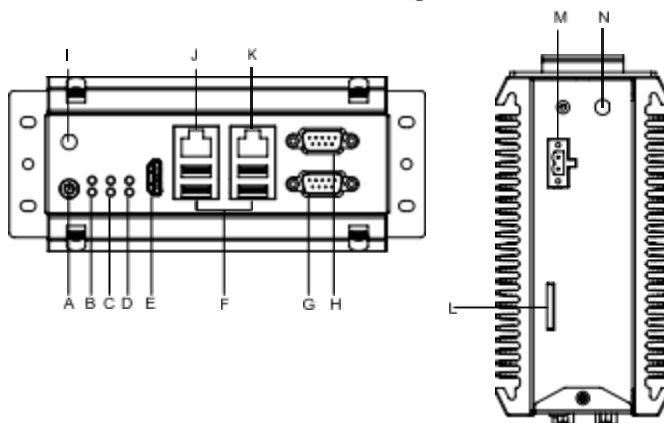
Processor	CPU	Intel® Apollo Lake Series J3355
	Frequency	Dual core 2.0GHz
	L2 Cache	2MB
	Chipset	-
	BIOS	AMI UEFI 128Mbit
Memory	Architecture	DDR3L-1666MHz
	Capacity	Up to 8GB
	DIMM	1xSODIMM
Display	Display controller	Integrated graphics media accelerator
	HDMI	Max resolution up to 4096x2160@30Hz
LAN	LAN1	Intel Gbe LAN controller
	LAN2	Intel Gbe LAN controller
I/O	COM	2 x RS-232(RS-232/485 Optional)
	LPT	N/A
	USB	4 x USB3.0/2.0/1.1
Other	Digital IO	N/A
	WatchDog	255 seconds programmable
Expansion slot	MiniPCIe	2* full size PCIe with SIM holder
	PCIe & PCI	N/A
Storage Medium	SSD、HDD	1 * mSATA SSD
OS	Microsoft Windows	Windows 10、Linux
Power	Type	AT
	Input voltage	9-24V DC
	Minimum Input	12V, 3A
	Power Adapter	Optional
Power Dissipation	No-load	15 Watt
	Full-load	31 Watt
Mechanism Parameters	Box structure	Aluminum alloy BOX
	Mounting	Din-rail
	Dimensions (L*W*H)	145mm x 145mm x 75mm (5.71" x 5.71" x 2.95")
	NW	1.60 Kg
Environmental	Work Temperature	-20 ~ 60° C (-4 °F ~ 140 °F) (Wide temperature SSD)
		0 ~ 45° C (32 °F ~ 113 °F) (General temperature HDD/SSD)
	Storage Temperature	-40 ~ 80° C (-40 ~ 176 °F)
	Relative humidity	5~95% (Non condensation)
	Shake	SSD applied: 1.5 Grms, IEC 60068-2-64, random, 5 ~ 500 Hz, 1 hr/axis
	Shock	SSD applied: 10 G, IEC 60068-2-64, Half-sine wave, 11ms duration
	EMC	CE/FCC Class A
	Safety Certification	CCC

Dimensions:

Unit : mm



I/O:



Specifications:

- A: Power Switch
- B: POWER&HDD LED
- C: COM1 LED
- D: COM2 LED
- E: HDMI
- F: USB2.0/USB3.0
- G: COM2
- H: COM1
- I: WiFi
- J: LAN1
- K: LAN2
- L: SIM
- M: DC in 9~24V
- N: Standby WiFi

Ordering Information:

Product Code	Description
eBOX-3560	Intel® Celeron® J3355 2.0 GHz dual-core Processors/No Memory/No Hard Disk/2*RS-232/2 Gigabit Ethernet ports/4USB2.0/HDMI/DC9~24V input/Mounting: Din-rail
eBOX-3560-L2	Intel® Celeron® J3355 2.0 GHz dual-core Processors/No Memory/No Hard Disk/2*RS-232/4 Gigabit Ethernet ports (extend 2) /4USB2.0/HDMI/DC9~24V input/Mounting: Din-rail
eBOX-3560-L4	Intel® Celeron® J3355 2.0 GHz dual-core Processors/No Memory/No Hard Disk/2*RS-232/6 Gigabit Ethernet ports (extend 4) /4USB2.0/HDMI/DC9~24V input/Mounting: Din-rail

Optional Equipment:

Adapter	Adapter 12V/5A,60W 2pin Phoenix terminal
-	Chinese standard Power Line PSB-10+ST3
Memory	Support DDR3 1600/1333/1066 MHz, 1 * SO-DIMM Slot, Up to 16 GB Memory Size
Hard Disk	1 * mSATA SSD、 1*2.5 inch HDD (Optional)
-	1x DIN-rail fastener
-	Manufacturer Certificate
-	Warranty Card
-	Random listing